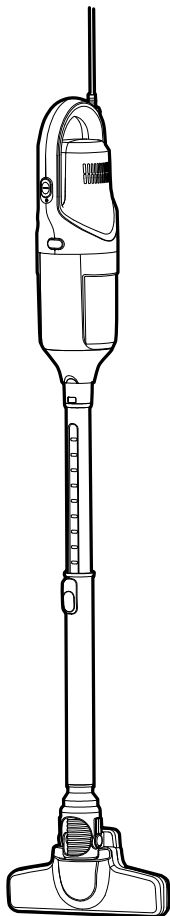




Master any mess.

Use & Care Guide



Stick Vacuum Cleaner

MODEL NO. VSJ01

www.amazon.com

Distributed By

Suzhou Cleva Electric Appliance Co., Ltd.

No.8 Ting Rong Street

Suzhou Industrial Park, Suzhou

Jiangsu Province, China

Made in China



Intertek

TABLE OF CONTENTS

SECTION	PAGE
Important Safety Instructions.....	3
Technical Data.....	4
Getting To Know Your Vacuum.....	5-6
General Assembly Instructions.....	7
Operating Instructions.....	8-12
Maintaining Your Vacuum.....	13-16
Troubleshooting.....	17

Thank you for purchasing this Vacmaster® vacuum cleaner. With it you are obtaining a high-quality product that is engineered for optimal performance.

FOR YOUR SAFETY

Read and understand this manual before use.

Keep this manual and your sales check (receipt) in a safe place for future reference.

IMPORTANT SAFETY INSTRUCTIONS

When using an electrical appliance, basic precautions should always be followed, including the following:

READ ALL INSTRUCTIONS BEFORE USING THIS VACUUM CLEANER

Failure to follow the warnings and instructions may result in electric shock, fire and/or serious injury.



WARNING - To reduce the risk of fire, electric shock, or injury:

- Do not leave appliance when plugged in. Unplug from outlet when not in use and before servicing.
- Do not use outdoors or on wet surfaces.
- Do not allow to be used as a toy. Close attention is necessary when used by or near children.
- Use only as described in this manual. Use only manufacturer's recommended attachments.
- Do not use with damaged cord or plug. If appliance is not working as it should, has been dropped, damaged, left outdoors, or dropped into water, contact with customer service.
- Do not pull or carry by cord, use cord as a handle, close a door on cord, or pull cord around sharp edges or corners. Do not run appliance over cord. Keep cord away from heated surfaces.
- Do not unplug by pulling on cord. To unplug, grasp the plug, not the cord.
- Do not handle plug or appliance with wet hands.
- Do not put any object into openings. Do not use with any opening blocked; keep free of dust, lint, hair, and anything that may reduce air flow.
- Keep hair, loose clothing, fingers, and all parts of body away from openings and moving parts.
- Turn off all controls before unplugging.
- Use extra care when cleaning on stairs.
- Do not use to pick up flammable or combustible liquids, such as gasoline, or use in areas where they may be present.
- Do not pick up anything that is burning or smoking, such as cigarettes, matches, or hot ashes.
- Do not use without the filter in place.

SAVE THESE INSTRUCTIONS

Household use only

TECHNICAL DATA

Stick Vacuum Cleaner

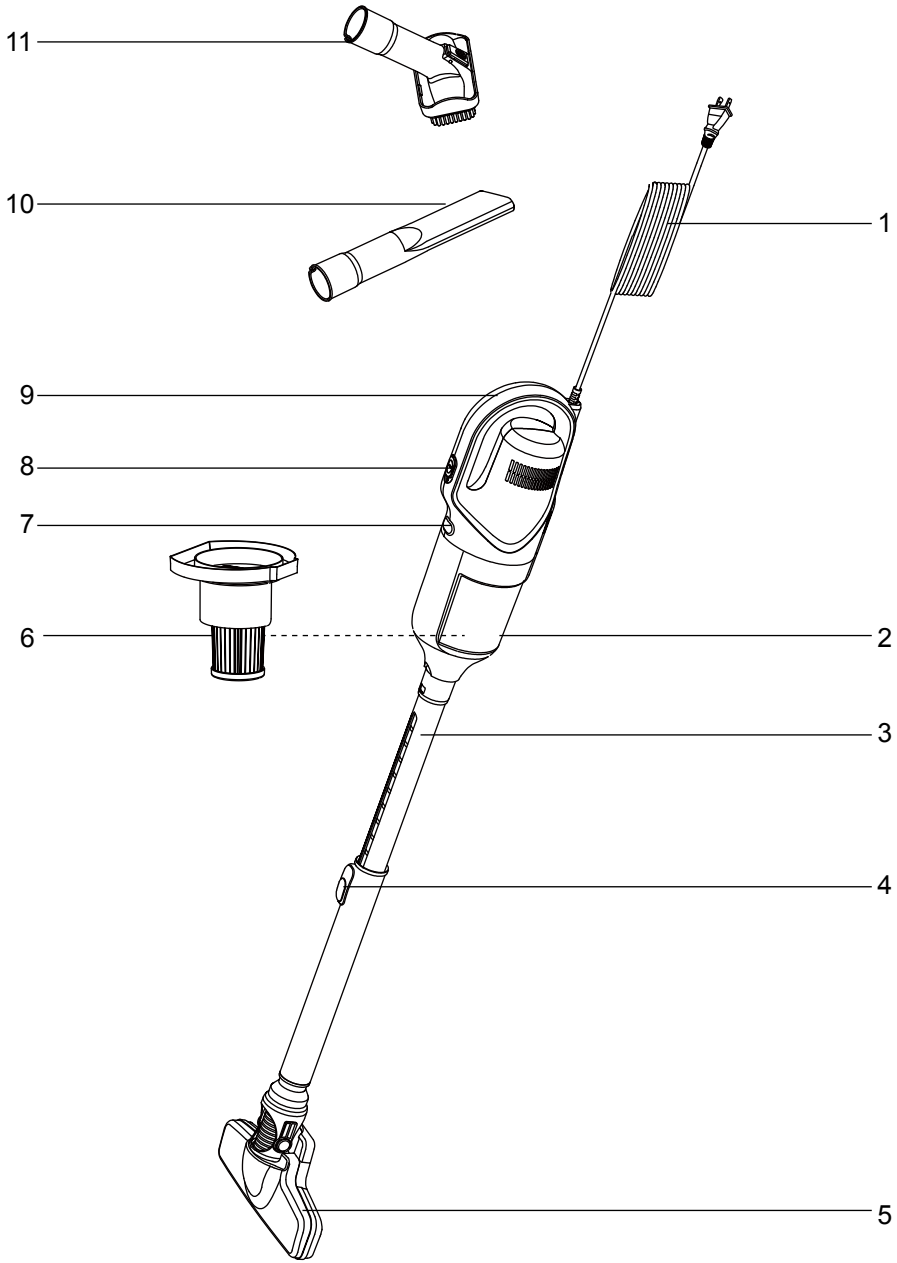
Model: VSJ01

Rated Voltage: 120V AC

Rated Frequency: 60Hz

Nominal Current: 3A

GETTING TO KNOW YOUR VACUUM



COMPONENTS

- 1. Power Cord
- 2. Dust Cup
- 3. Telescoping Wand
- 4. Wand Length Adjust Button
- 5. Floor Nozzle
- 6. Filter
- 7. Dust Cup Release Button
- 8. On/Off Switch
- 9. Handle
- 10. Crevice Tool
- 11. 2 in1 brush tool

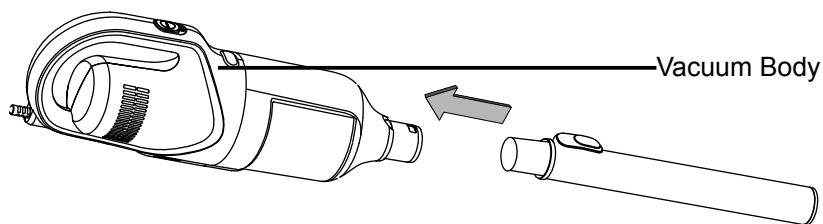
REPLACEMENT PARTS

Item	Part No.
Filter	239096

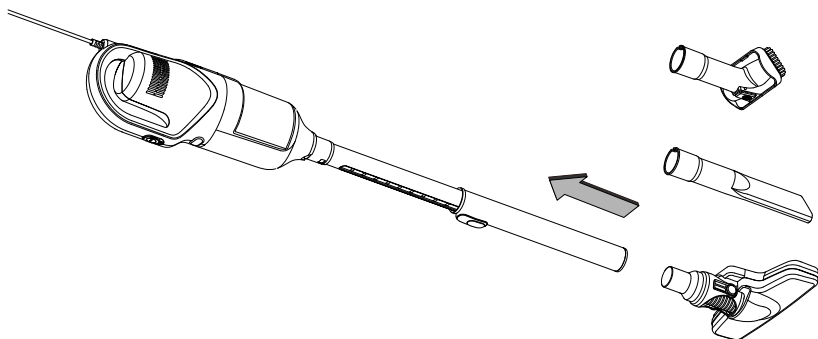
Available online at www.amazon.com.

GENERAL ASSEMBLY INSTRUCTIONS

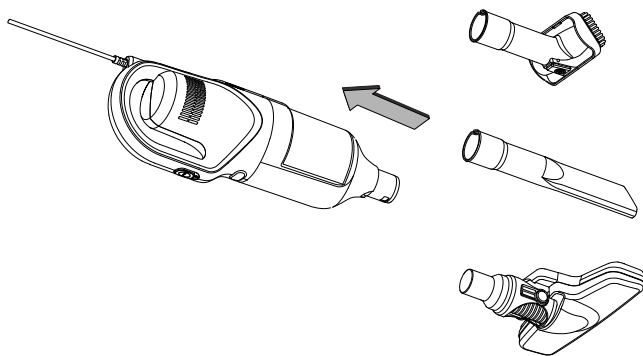
1. Align and insert the telescoping wand into the suction port of the vacuum body.



2. Insert the floor nozzle or accessory tools into the bottom of wand.



3. Optional: Insert the floor nozzle or accessory tools into the suction port of the vacuum body.



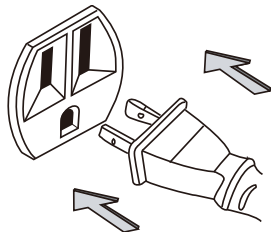
OPERATING INSTRUCTIONS

Before using, choose the stick or hand vacuum mode for cleaning.

Using Your Vacuum Cleaner

NOTE: Make sure the vacuum cleaner is completely assembled and the dust cup is empty before using.

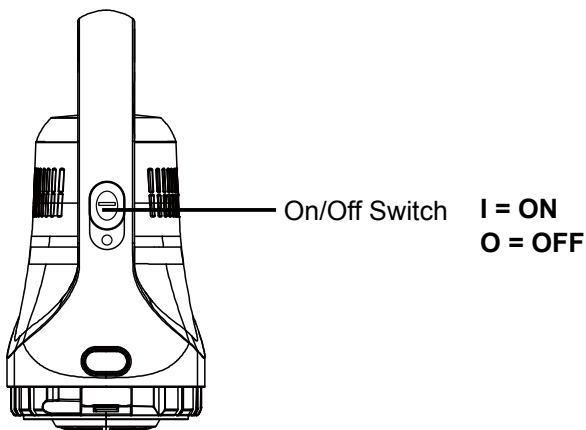
1. Plug the power cord plug into an outlet located near the floor.



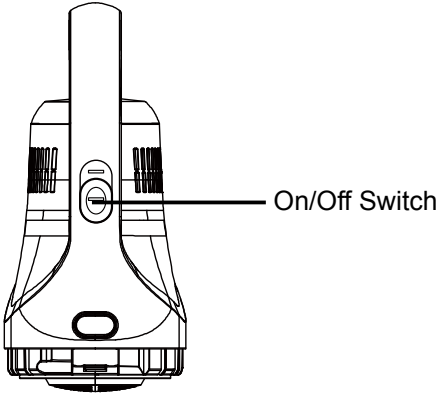
WARNING

To reduce the risk of electric shock, this appliance has a polarized plug (one blade is wider than the other). This plug will fit in a polarized outlet only one way. If the plug does not fit fully in the outlet, reverse the plug. If it still does not fit, contact a qualified electrician to install the proper outlet. Do not change the plug in any way.

2. Slide the on/off switch to the 'I' position to start the vacuum.



3. Once you have completed vacuuming, slide the on/off switch to the 'O' position and unplug the power cord from the outlet.

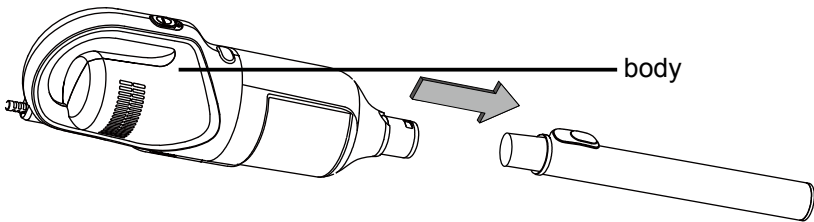


WARNING

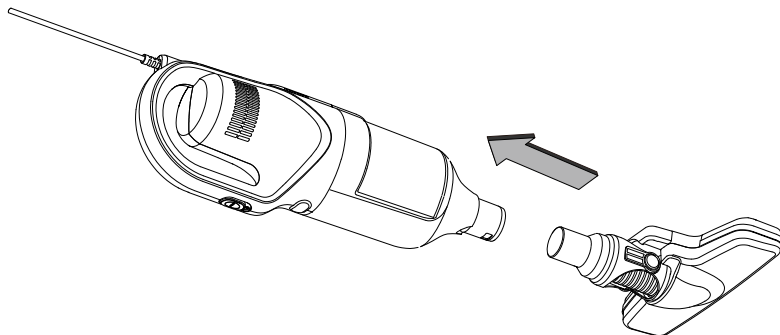
- When any abnormality/failure occurs, stop using the product immediately and disconnect the power plug.
- DO NOT use outlets above counters.
- Damage of the cord resulting from the surrounding objects could occur.

Using Your Hand Vacuum

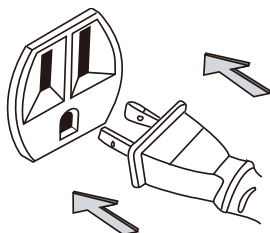
1. To remove the wand, pull the wand from the vacuum body.



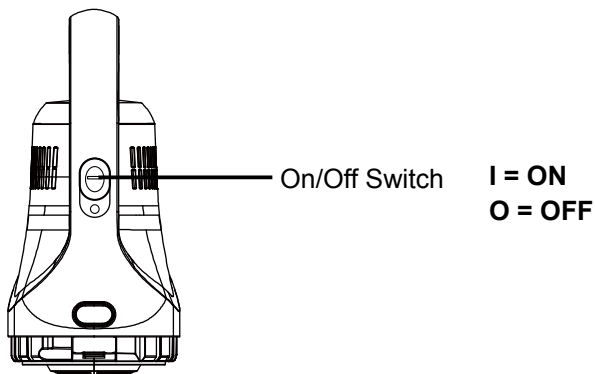
2. Insert the floor nozzle into the end of the vacuum.



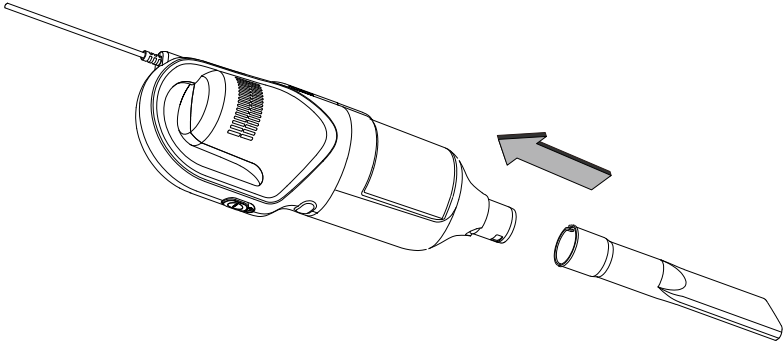
3. Plug the power cord plug into an outlet located near the floor.



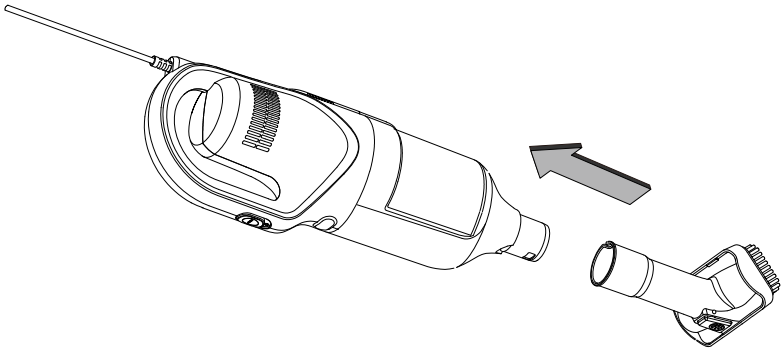
4. To turn the vacuum on, slide the on/off switch to the 'I' position.



5. To use the crevice tool, insert one end of the tool into the hand vacuum for cleaning corners, edges, drawers, etc.



6. To use the 2 in 1 brush tool, insert one end of the tool into the vacuum for cleaning loose surfaces such as drapes, fabric sofa, bedsheets, etc.



7. Once you have completed vacuuming, slide the on/off switch to the 'O' position and unplug the power cord from the outlet.

Storing Your Vacuum

Gather the power cord and store the vacuum cleaner in a dry, indoor area.

NOTE: The wand can be removed during storing.



WARNING

Use care if vacuum cleaner is placed on stairs. If it falls, property damage could result.



CAUTION

DO NOT block the inlet opening. The motor will over heat and could become damaged.

MAINTAINING YOUR STEAM MOP



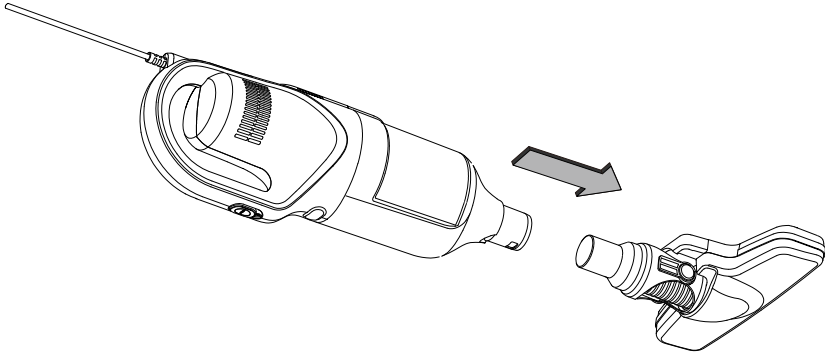
CAUTION

To reduce the risk of shock, disconnect the power cord, and turn off before performing any service or maintenance.

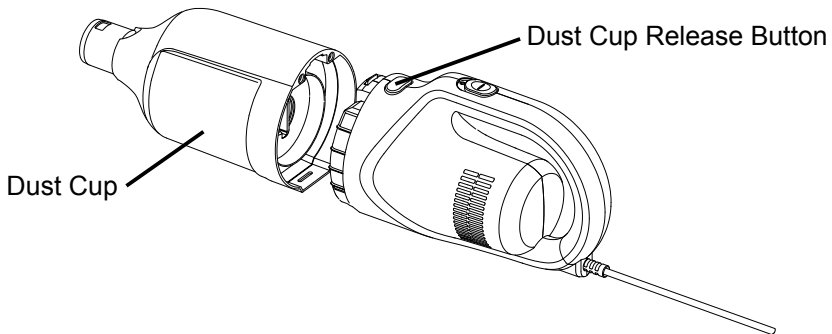
NOTE: Use dry cloth to clean the outside of the unit. Do not allow any kind of liquid to enter the unit.

Emptying the Dust Cup

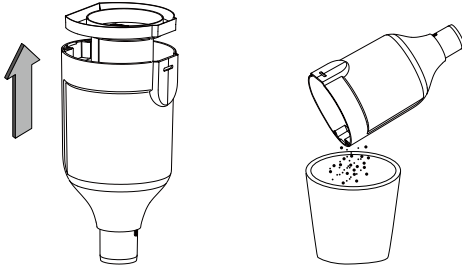
1. Remove the floor nozzle from the hand vacuum.



2. Press the dust cup release button to remove the dust cup from the main body.

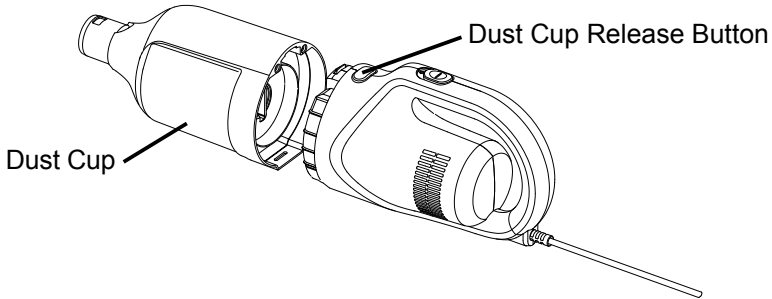


3. Remove the filter from the dust cup. Empty the contents of the dust cup into waste receptacle.

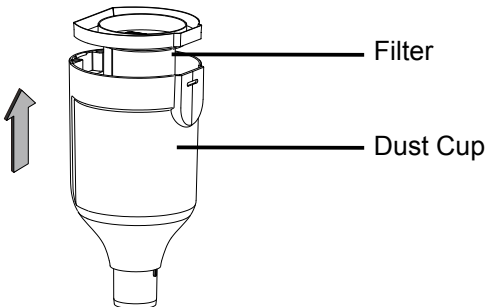


Cleaning the Filter

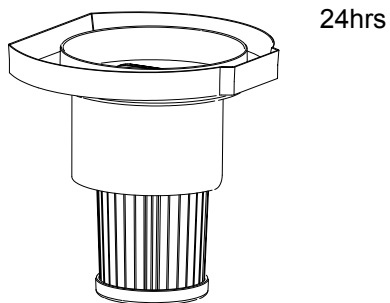
1. Press the dust cup release button to remove the dust cup from the hand vacuum.



2. Remove the filter from the dust cup and clean the accumulated debris from the filter.

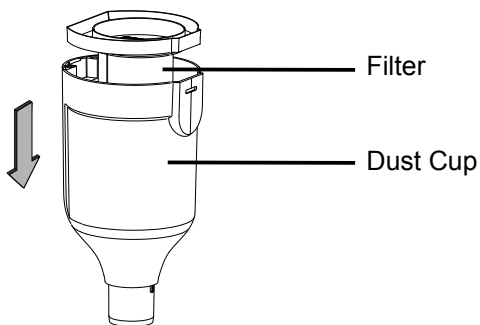


3. After repeated use, it may be necessary to wash the filter. Hand wash in lukewarm water. After washing, set aside and allow to air dry for 24 hours.

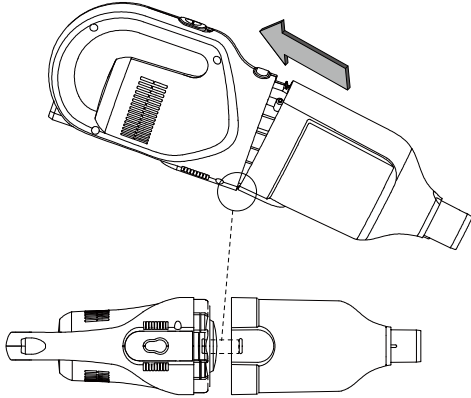


IMPORTANT: The filter must be completely dry before reuse.

4. Place the clean and dry filter back to the dust cup.



5. Align the slot at the back of the dust cup to the hand vacuum, and then push the dust cup to the hand vacuum until you hear a click.

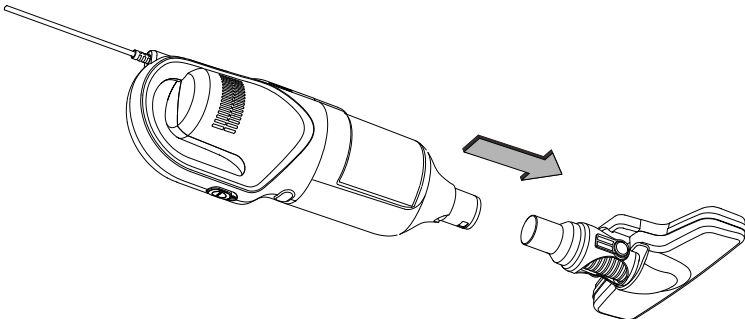


WARNING

Do not operate vacuum cleaner without filter installed.

Removing Floor Nozzle Blockages

1. To clean out the floor nozzle, remove the floor nozzle from the main vacuum body.



2. Carefully remove any debris or blockage from the inside of the nozzle neck.
3. Reattach the floor nozzle onto the vacuum body.

NOTE: Do not use scissors or other sharp objects to remove a blockage from the floor nozzle as these may damage the floor nozzle.

TROUBLESHOOTING

Should you have any problem(s) with your vacuum cleaner, review the table below for solutions to minor performance issues.



WARNING

Disconnect electrical supply before performing maintenance to the vacuum cleaner. Failure to do so could result in electrical shock or personal injury.

PROBLEM	POSSIBLE CAUSE	SOLUTION
Vacuum will not power on.	The plug is not plugged to the wall outlet.	Be sure power cord plug is fully plugged into outlet.
	The on/off switch is not on the 'I' ON position.	Slide the on/off switch to the 'I' ON position.
	The motor is damaged.	Contact with customer service.
The job of dirt pick-up is poor or suction power is weak.	Dust cup is full.	Empty dust cup.
	Filter needs cleaning.	Follow filter cleaning instructions on page 14-16.
	There is a clog in the vacuum.	Check the nozzle and dust cup for clogs and remove accordingly.
	Filter needs to be replaced.	Purchase online at www.amazon.com .
	Dust cup is not installed correctly.	Check dust cup for correct installation and ensure it is snapped firmly in place.
Sound changes.	There is a clog in the wand or filter.	Check the wand or filter for clogs and remove accordingly.
Dust escapes from vacuum.	Filter is missing or installed incorrectly.	Check filter for correct installation. Follow instructions on page 14-16.
	Filter is damaged and needs to be replaced.	Purchase online at www.amazon.com .
	Dust cup is installed incorrectly.	Position dust cup correctly and snap firmly into place.