



Wet/Dry Vacuum
Aspiradora en Mojado/Seco
Aspirateur Sec et Humide

Operator's Manual
Manual del usuario
Manuel d'utilisation



8 Gallon / 8 Galones / 30 L

Model No. • N° de modelo • Référence de modèle

VCM811PF 1101

FOR YOUR SAFETY

Read and understand this manual before use. Keep this manual for future reference.

POR SU SEGURIDAD

Lea y comprenda este manual antes de usar el producto. Conserve este manual para futura referencia.

POUR GARANTIR VOTRE SÉCURITÉ

Lisez et comprenez ce manuel avant toute utilisation de l'appareil. Conservez le présent manuel afin de pouvoir vous y référer ultérieurement.

**Replacement Filters &
Accessories available at:
Vacmaster.com**

**Filtros de repuesto y
accesorios disponibles en:
Vacmaster.com**



Distributed by/ Distribuido por/ Distribue par:
Cleva North America, Inc.
601 Regent Park Court, Greenville, SC 29607

**Filtres de rechange et
Accessoires disponibles à l'adresse suivante:
Vacmaster.com**

TABLE OF CONTENTS

SECTION	PAGE
Warranty.....	3
Important Safety Instructions.....	4
Double Insulation Instructions.....	5
Extension Cords.....	6
Symbols.....	6
Unpacking & Checking Carton Contents.....	7
General Assembly Instructions.....	8
Dry Vacuum Operation.....	9
Liquid Vacuum Operation.....	10
Blower Operation.....	11
Maintenance.....	12
Installing & Cleaning Cartridge Filter.....	13
Installing & Cleaning Foam Wet Filter.....	13
Troubleshooting.....	14
Exploded View.....	15
Parts List	16

Thank you for purchasing this Vacmaster® wet/dry vacuum cleaner. Feel confident that with Vacmaster® you are obtaining a high-quality product engineered for optimal performance. This vacuum is capable of picking up liquids and dry materials.



IMPORTANT INFORMATION

GALLONS

"Tank Size" refers to the actual tank volume and does not reflect capacity available during operation.

PEAK HP

"Peak Horsepower" is a term used in the wet-dry vac industry for consumer comparison purposes. It does not denote the operational horsepower output of a wet-dry vac, but rather the horsepower output of a motor, including the motor's inertial contribution, achieved in laboratory testing. In actual use, motors do not operate at the peak horsepower shown.

FOR YOUR SAFETY: CAREFULLY READ AND UNDERSTAND ALL INSTRUCTIONS.

WARRANTY

We take pride in producing a high-quality, durable product. This Vacmaster® product carries a limited two (2) year warranty against defects in workmanship and materials from date of purchase (or, for deliveries in the State of California, two years from the date of delivery) under normal household use. If the product is to be used for commercial, industrial, or rental use, a 90-day limited warranty will apply. Please keep your receipt as proof of purchase. This warranty gives you specific legal rights, which may vary from state to state. For product service call Customer Service at 1-866-384-8432.

Not Covered by Warranty:

- Any part that has become inoperative due to misuse, negligence, direct/indirect abuse, accidents, improper maintenance, repairs, or alterations;
- Consumables such as filters and accessories;
- Normal wear and tear of parts and attachments, such as hose, nozzles, or casters;
- Normal deterioration of the exterior finish due to use or exposure;
- Any product where serial number/data label is tampered with or removed;
- Any product purchased from an unauthorized retailer.

IMPORTANT SAFETY INSTRUCTIONS

READ AND UNDERSTAND ALL INSTRUCTIONS BEFORE USING THIS VACUUM.

Read and understand this operator's manual and all labels on the vacuum cleaner before operating. Safety is a combination of common sense, staying alert and knowing how your vacuum works. Use this vacuum only as described in this manual. To reduce the risk of personal injury or damage to your vacuum, use only manufacturer recommended accessories.

SAVE THIS MANUAL FOR FUTURE REFERENCE

When using a vacuum, basic precautions should always be followed including the following. Failure to follow the warnings and instructions may result in explosion, fire and/or serious injury.



WARNING: TO REDUCE THE RISK OF FIRE, ELECTRIC SHOCK, OR INJURY:

- Do not run vacuum unattended.
- Do not use to pick up flammable or combustible liquids, such as gasoline, or use in areas where they may be present.
- Do not vacuum, or use this vacuum near flammable liquids, gases, or explosive vapors like gasoline or other fuels, lighter fluids, cleaners, oil-based paints, natural gas, hydrogen, or explosive dusts like coal dust, magnesium dust, grain dust, or gun powder. Sparks inside the motor can ignite flammable vapors or dust.
- To reduce the risk of health hazards from vapors or dusts, do not vacuum toxic materials.
- Do not use or store near hazardous materials.
- Do not pick up anything that is burning or smoking, such as cigarettes, matches, or hot ashes.
- Do not expose to rain. Store indoors.
- If vacuum is not working as it should, has been dropped, damaged, left outdoors, or dropped into water, return it to a service center.
- Do not unplug by pulling on cord. To unplug, grasp the plug, not the cord.
- Do not use with damaged cord or plug.
- Do not pull or carry by cord, use cord as a handle, close a door on cord, or pull cord around sharp edges or corners.
- Keep cord away from heated surfaces.
- Do not run the vacuum over cord.
- Do not handle plug or vacuum with wet hands.
- Do not use without dust bag and/or filters in place.
- Do not allow it to be used as a toy. Close attention is necessary when used by or near children.
- To reduce the risk of injury from accidental starting, unplug power cord before changing or cleaning filter.
- Do not leave vacuum when plugged in. Unplug from outlet when not in use and before servicing.
- Turn off all controls before unplugging.
- Unplug before connecting or disconnecting hose, or any other accessories.
- Do not put any object into openings. Do not use with any opening blocked; keep free of dust, lint, hair, and anything that may reduce air flow.
- Keep hair, loose clothing, fingers, and all parts of body away from openings and moving parts.
- Use extra care when cleaning on stairs.
- Use only as described in this manual. Use only manufacturer's recommended attachments.
- This vacuum is provided with double insulation. Use only identical replacement parts. See DOUBLE INSULATION INSTRUCTIONS.



CAUTION: To reduce the risk of injury from moving parts - Unplug before servicing.



WARNING: To reduce the risk of electric shock - Unplug before cleaning or servicing.

When using as blower:

- Direct air discharge only at work area.
- Do not use Wet/Dry Vacuum as a sprayer.
- Do not direct air at bystanders.
- Keep children away when blowing.
- Wear safety goggles.

SAVE THESE INSTRUCTIONS

For Household Use Only

DOUBLE INSULATION INSTRUCTIONS

This Wet/Dry Vacuum is double insulated, eliminating the need for a separate grounding system. Use only identical replacement parts. Read the instructions for Servicing Double-Insulated Wet/Dry Vacuums before servicing. Use this vacuum as described in this manual. Observe the following warnings that appear on the motor housing of your vacuum.



DOUBLE INSULATED - GROUNDING NOT REQUIRED - WHEN SERVICING USE ONLY IDENTICAL REPLACEMENT PARTS.



WARNING: TO REDUCE THE RISK OF ELECTRIC SHOCK - DO NOT EXPOSE TO RAIN. STORE INDOORS.




WARNING: FOR YOUR OWN SAFETY, READ AND UNDERSTAND THE OPERATOR'S MANUAL. DO NOT RUN UNATTENDED. DO NOT PICK UP HOT ASHES, COALS, TOXIC, FLAMMABLE OR OTHER HAZARDOUS MATERIALS. DO NOT USE AROUND EXPLOSIVE LIQUIDS OR VAPORS.



CAUTION: DO NOT VACUUM DRYWALL DUST, FIREPLACE SOOT, OR ASH WITH STANDARD WET/DRY FILTER. THIS TYPE OF DUST IS VERY FINE WHICH MAY NOT BE CAPTURED BY THE FILTER AND CAUSE DAMAGE TO MOTOR. WHEN VACUUMING FINE DUST USE A FINE DUST FILTER (SOLD SEPARATELY).



WARNING: SERVICING OF DOUBLE-INSULATED WET/DRY VACUUMS WITH A DOUBLE-INSULATED WET/DRY VACUUM, TWO SYSTEMS OF INSULATION ARE PROVIDED INSTEAD OF GROUNDING. NO GROUNDING MEANS IS PROVIDED ON A DOUBLE-INSULATED APPLIANCE, NOR SHOULD A MEANS FOR GROUNDING BE ADDED. SERVICING A DOUBLE INSULATED WET/DRY VACUUM REQUIRES EXTREME CARE AND KNOWLEDGE OF THE SYSTEM AND SHOULD BE DONE ONLY BY QUALIFIED SERVICE PERSONNEL. REPLACEMENT PARTS FOR A DOUBLE-INSULATED WET/DRY VACUUM MUST BE IDENTICAL TO THE PARTS THEY REPLACE. YOUR DOUBLE-INSULATED WET/DRY VAC IS MARKED WITH THE WORDS 'DOUBLE INSULATED' AND THE SYMBOL  (SQUARE WITHIN A SQUARE) MAY ALSO BE MARKED ON THE APPLIANCE.




EXTENSION CORDS

When using an extension cord with your Wet/Dry Vacuum refer to the following table to determine the required A.W.G. wire size. Before using the cleaner make sure the power cord and extension cord are in good working condition. Make repairs or replacements before using the vacuum cleaner. Only use extension cords that are rated for outdoor use.

120V		Length of Extension Cord			
		25ft (7.62m)	50ft (15.24m)	100ft (30.48m)	150ft (45.72m)
Ampere rating		A.W.G. Wire Size			
More than	Not more than				
0	6	18	16	16	14
6	10	18	16	14	12
10	12	16	16	14	12
12	16	14	12	Not recommended	

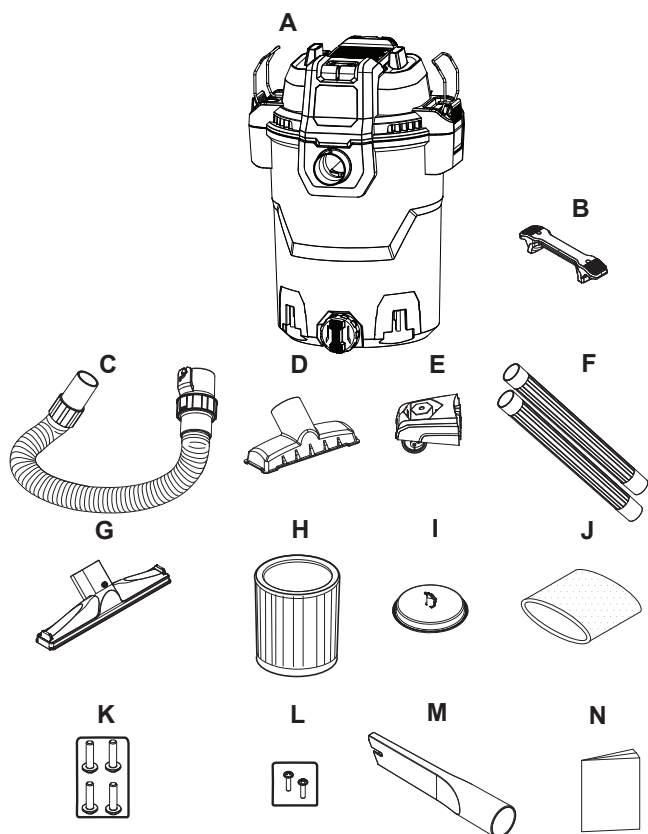
SYMBOLS

The following signal words and meanings are intended to explain the levels of risk associated with this product.

SYMBOL	SIGNAL	MEANING
	DANGER	Indicates an imminently hazardous situation, which, if not avoided, will result in death or serious injury.
	WARNING	Indicates a potentially hazardous situation, which, if not avoided, could result in death or serious injury.
	CAUTION	Indicates a potentially hazardous situation, which, if not avoided, may result in minor or moderate injury.
	NOTICE	(Without Safety Alert Symbol) Indicates a situation that may result in property damage.

UNPACKING & CHECKING CARTON CONTENTS

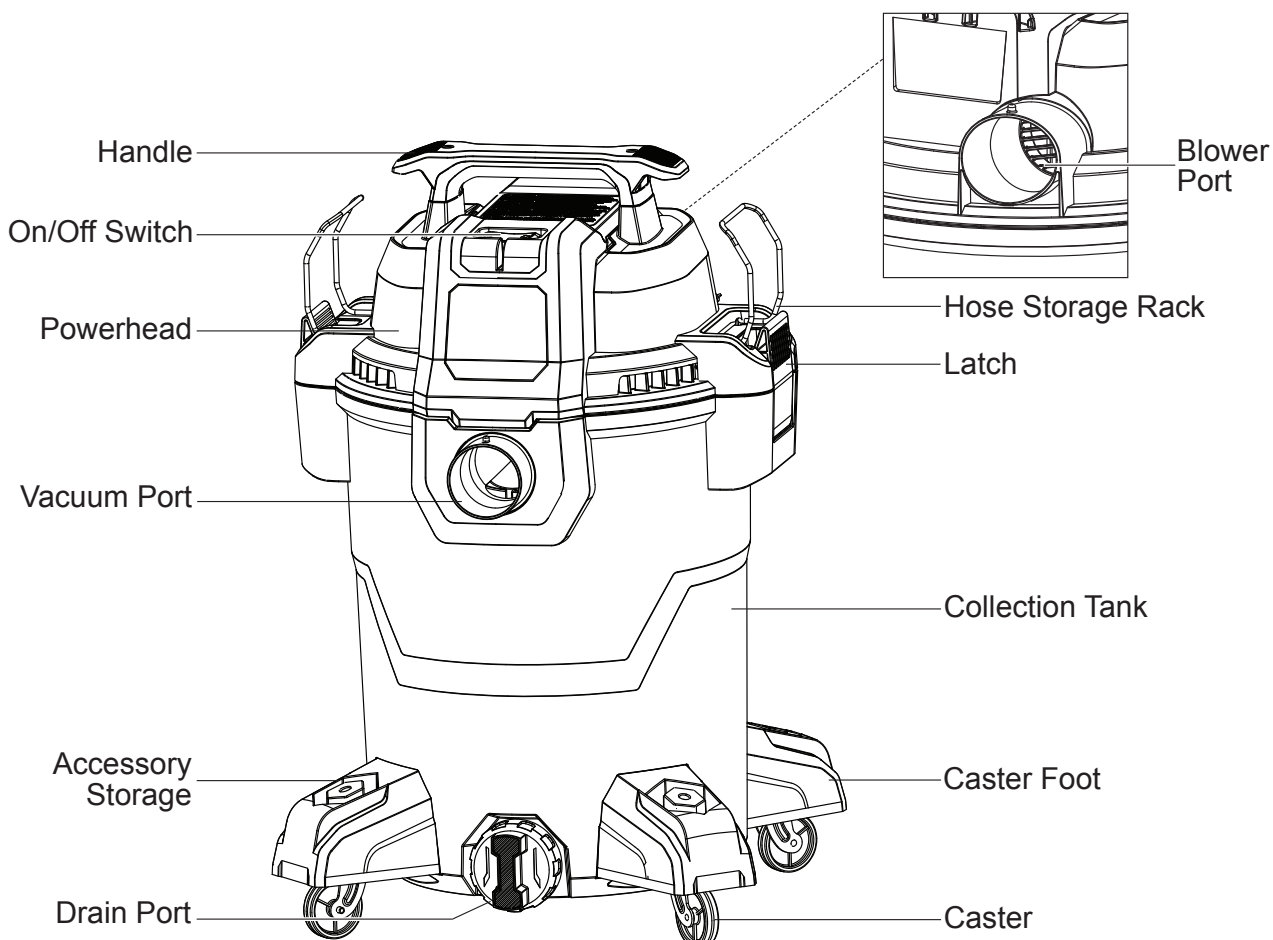
Remove all contents from the box. Remove the powerhead and take out any contents inside the collection tank. Check each item against the carton contents list.



Carton Contents List:

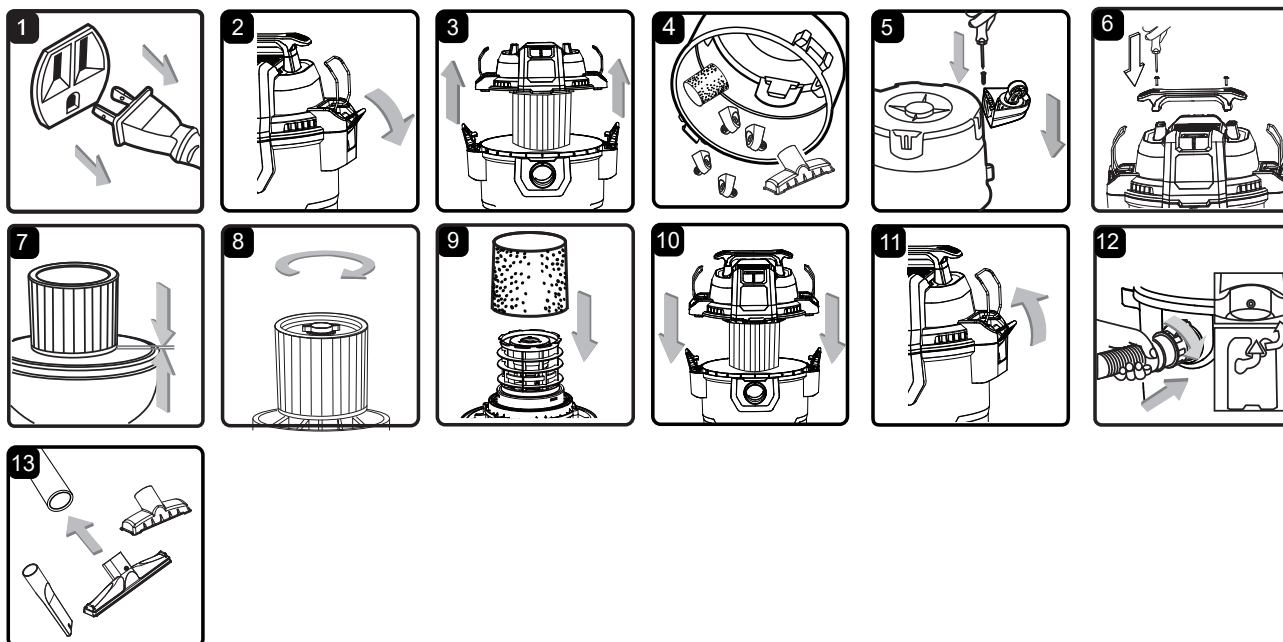
Key	Description	Qty.
A	Vacuum Assembly.....	1
B	Handle.....	1
C	Hose.....	1
D	Utility Nozzle.....	1
E	Caster Foot Assembly.....	4
F	Extension Wand.....	2
G	Floor Nozzle.....	1
H	Cartridge Filter.....	1
I	Filter Retainer.....	1
J	Foam Wet Filter.....	1
K	4 Screws (Bag).....	1
L	2 Screws (Bag/for Handle).....	1
M	Crevice Tool.....	1
N	Operator's Manual.....	1

NOTE: The hose and accessories for this vacuum are 1-7/8" (47.6mm) diameter.



GENERAL ASSEMBLY INSTRUCTIONS

A Phillips head screwdriver is required.




⚠ WARNING: DO NOT PLUG THE POWER CORD INTO A POWER OUTLET. MAKE SURE THE PLUG IS DISCONNECTED BEFORE ASSEMBLING THE WET/DRY VACUUM. TO REDUCE THE RISK OF ELECTRIC SHOCK, DO NOT EXPOSE TO RAIN.

UNPACKING YOUR WET/DRY VACUUM & GENERAL ASSEMBLY

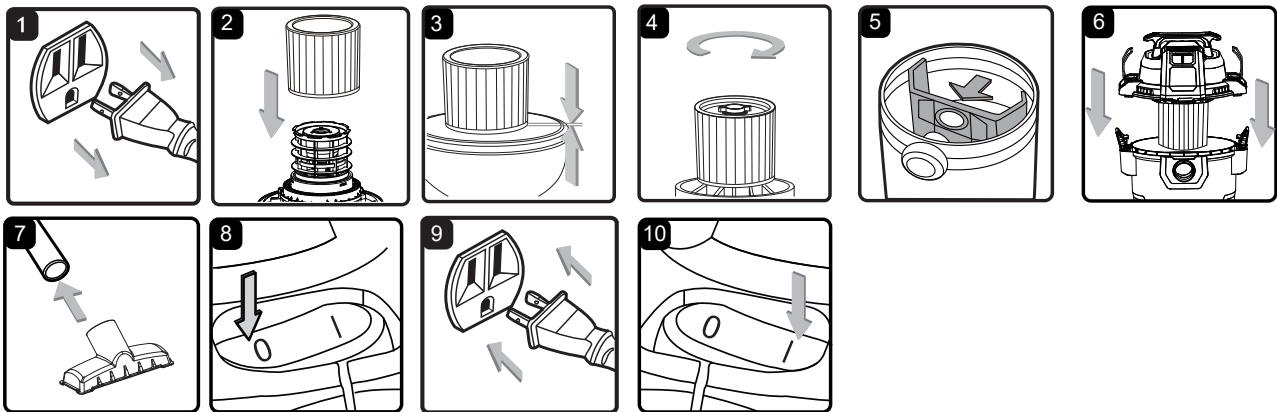
1. Verify that the power cord is disconnected from the outlet (Fig. 1).
2. Undo the latches (Fig. 2).
3. Lift the powerhead off the collection tank (Fig. 3).
4. Remove the contents from inside the collection tank. Make sure you have all contents as listed on page 7 (Fig. 4).
5. Turn the collection tank upside down and insert the four caster feet into the slots on the collection tank and tighten with supplied screws. Verify that the casters are mounted correctly. Do not over-tighten screws (Fig. 5).
6. Insert the handle into the slots located on the top of the powerhead and secure it with the screws provided. Do not over-tighten the screws (Fig. 6).
7. Your vacuum comes ready for dry vacuum cleaning. If the cartridge filter is not installed, refer to page 13 for installation instructions (Fig. 7 & 8).
8. For wet vacuum cleaning, remove the cartridge filter, and install the supplied foam wet filter. See page 13 for the foam wet filter installation instructions (Fig. 9).
9. Place the powerhead back on the collection tank and secure into place using the latches (Fig. 10 & 11).
10. Insert the larger end of the hose into the vacuum port on the collection tank and lock into place (Fig. 12).
11. Choose the desired attachment and insert onto the end of the hose or extension wand (Fig. 13).

POLARIZED PLUG

To reduce the risk of electrical shock, this appliance has a polarized plug (one blade wider than the other). This plug will fit in a polarized outlet only one way. If the plug does not fit fully in the outlet, reverse the plug. If it still does not fit, contact a qualified electrician to install the proper outlet.

Do not change the plug in any way. Double insulation  eliminates the need for the three-wire grounded power cord and grounded power supply system.

DRY VACUUM OPERATION



DRY VACUUMING

⚠ WARNING: BE SURE TO READ, UNDERSTAND, AND APPLY INFORMATION ENTITLED “IMPORTANT SAFETY INSTRUCTIONS”. DO NOT VACUUM IN AREAS WITH FLAMMABLE GASES, VAPORS, OR EXPLOSIVE DUSTS IN THE AIR. FLAMMABLE GASES OR VAPORS INCLUDE BUT ARE NOT LIMITED TO: LIGHTER FLUID, SOLVENT TYPE CLEANERS, OIL-BASED PAINTS, GASOLINE, ALCOHOL, OR AEROSOL SPRAYS. EXPLOSIVE DUSTS INCLUDE BUT ARE NOT LIMITED TO: COAL, MAGNESIUM, GRAIN, OR GUN POWDER. TO REDUCE THE RISK OF HEALTH HAZARDS FROM VAPORS OR DUST, DO NOT VACUUM TOXIC MATERIALS.

⚠ WARNING: DO NOT PLUG THE POWER CORD INTO A POWER OUTLET. MAKE SURE THE PLUG IS DISCONNECTED BEFORE CHANGING THE FILTERS.

⚠ CAUTION: DO NOT VACUUM DRYWALL DUST, FIREPLACE SOOT, OR ASH WITH STANDARD WET/DRY FILTER. THIS IS A VERY FINE DUST WHICH WILL NOT BE CAPTURED BY THE FILTER AND MAY CAUSE DAMAGE TO MOTOR. WHEN VACUUMING FINE DUST USE A FINE DUST FILTER (SOLD SEPARATELY).

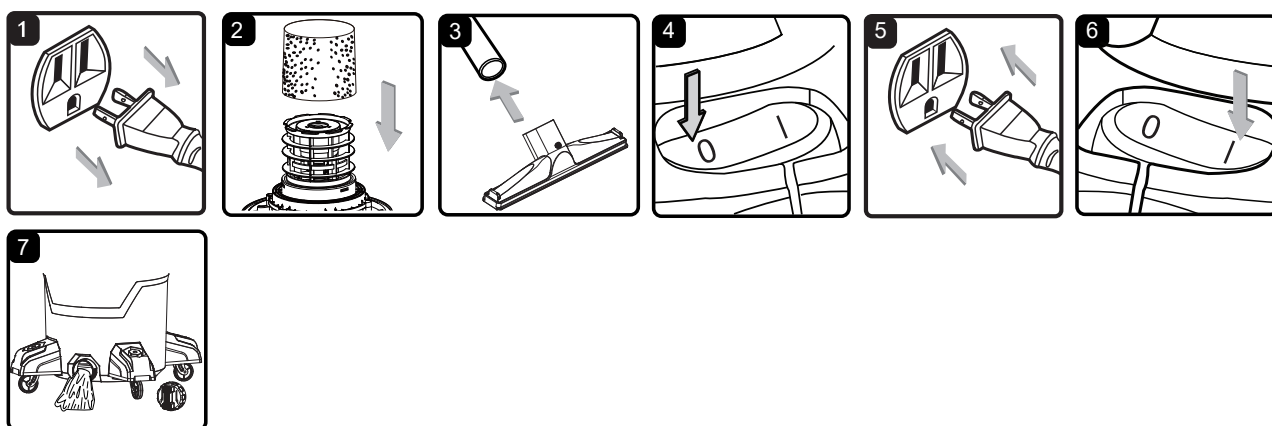
1. Verify that the power cord is disconnected from the outlet (Fig. 1).
2. In order to prepare your vacuum for dry vacuuming, make sure the cartridge filter completely covers the filter cage against the powerhead. Your wet/dry vacuum comes with the cartridge filter pre-installed. For installation instructions, see page 13 (Fig. 2 & 3).
3. Place the filter retainer on the top of the cartridge filter and tighten down by turning the retainer handle clockwise (Fig. 4).
4. Optional: For improved dust filtering, fit the dust bag flange onto the inlet port, taking care not to damage the bag (Fig. 5). Dust collection bag sold separately.
5. Place the powerhead back on the collection tank and secure it in place using the latches (Fig. 6).
6. Insert the larger end of the hose into the vacuum port on the collection tank and lock into place.
7. Push the required accessory onto the free end of the hose or extension wand (Fig. 7).
8. Verify that the on/off switch is in the ‘O’ OFF position before plugging the power cord into the power outlet. Plug the power cord into the outlet (Fig. 8 & 9).
9. Turn the motor on by flipping the on/off switch to the ‘I’ ON position and begin vacuuming (Fig.10).
10. Once you have completed vacuuming, flip the switch to the ‘O’ OFF position and unplug the power cord from the outlet.

O = OFF I = ON

DO NOT USE THE CARTRIDGE FILTER FOR LIQUID VACUUMING.

DO NOT USE THE DUST COLLECTION BAG FOR LIQUID VACUUMING.

LIQUID VACUUM OPERATION



LIQUID VACUUMING

⚠ WARNING: BE SURE TO READ, UNDERSTAND, AND APPLY INFORMATION ENTITLED “IMPORTANT SAFETY INSTRUCTIONS”. DO NOT VACUUM IN AREAS WITH FLAMMABLE GASES, VAPORS, OR EXPLOSIVE DUSTS IN THE AIR. FLAMMABLE GASES OR VAPORS INCLUDE BUT ARE NOT LIMITED TO: LIGHTER FLUID, SOLVENT TYPE CLEANERS, OIL-BASED PAINTS, GASOLINE, ALCOHOL, OR AEROSOL SPRAYS. EXPLOSIVE DUSTS INCLUDE BUT ARE NOT LIMITED TO: COAL, MAGNESIUM, GRAIN, OR GUN POWDER. TO REDUCE THE RISK OF HEALTH HAZARDS FROM VAPORS OR DUST, DO NOT VACUUM TOXIC MATERIALS.

⚠ WARNING: DO NOT PLUG THE POWER CORD INTO A POWER OUTLET. MAKE SURE THE PLUG IS DISCONNECTED BEFORE CHANGING THE FILTERS.

1. Verify that the power cord is disconnected from the outlet. Make sure that the collection tank is clean and free of dust and dirt (Fig. 1).
2. Remove the cartridge filter, then carefully install the foam wet filter over the filter cage and place the powerhead back on the collection tank. For foam wet filter installation instructions, see page 13 (Fig. 2).

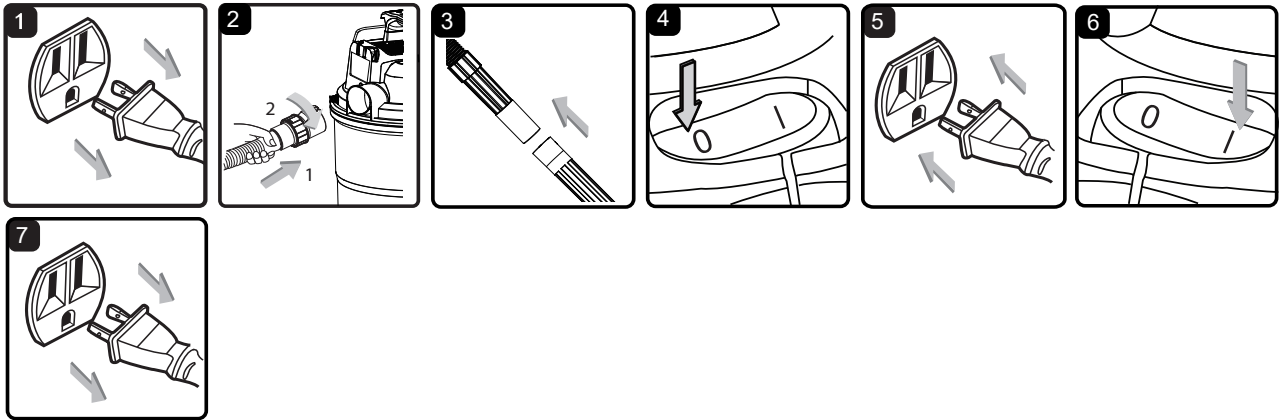
DO NOT USE THE CARTRIDGE FILTER FOR LIQUID VACUUMING.

3. Push the required accessory onto the free end of the hose or extension wand (Fig. 3).
4. Verify that the on/off switch is in the 'O' OFF position before plugging the power cord into the power outlet. Plug the power cord into the outlet (Fig. 4 & 5).
5. Turn the motor on by flipping the switch to the 'I' ON position (Fig. 6).
6. Once you have completed vacuuming, flip the on/off switch to the 'O' OFF position and unplug the power cord from the outlet.
7. After use, empty the collection tank by unscrewing the drain cap. Drain liquids into a suitable receptacle or drain. Remember to refit the drain cap to the collection tank (Fig. 7).

IMPORTANT! When vacuuming large quantities of liquids, do not immerse the nozzle completely in the liquid; leave a gap at the tip of the nozzle opening to allow air inflow. The machine is fitted with a float valve that stops the suction action when the collection tank reaches its maximum capacity. You will notice an increase in motor speed. When this happens, turn off the machine, disconnect from power supply, and drain the liquid into a suitable receptacle or drain. To continue vacuuming, refit the collection tank with the drain cap. After wet vacuuming, turn the machine off and remove plug from power supply. Empty the collection tank, clean, and dry the inside and outside before storage.

REMEMBER! The foam wet filter must be removed after wet vacuuming and the cartridge filter must be installed before dry vacuuming again.

BLOWER OPERATION



This Wet/Dry Vacuum has blowing capabilities. To use the blower feature follow the instructions listed.

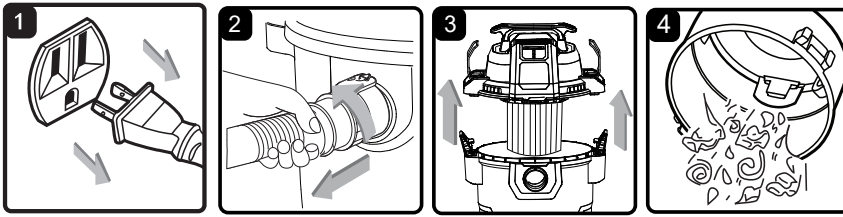
WARNING: ALWAYS WEAR SAFETY GOGGLES COMPLYING WITH ANSI Z87.1 (OR IN CANADA, CSAZ94.3) BEFORE USING BLOWER.

CAUTION: KEEP BYSTANDERS CLEAR FROM BLOWING DEBRIS.

WARNING: WEAR A DUST MASK IF BLOWING CREATES DUST THAT MIGHT BE INHALED.

1. Verify that the power cord is disconnected from the outlet (Fig. 1).
2. Make sure the collection tank is empty before using as a blower. Clear all dirt and debris from the hose and collection tank.
3. Remove the hose from the vacuum port.
4. Insert the larger end of the hose into the blower port on the back of the powerhead and lock into place (Fig. 2).
5. Fit the desired attachment onto the hose or extension wand (Fig. 3).
6. Verify that the on/off switch is in the 'O' OFF position before plugging the power cord into the outlet. Plug the power cord into the outlet (Fig. 4 & 5).
7. Before turning on the vacuum, firmly hold loose end of the hose. Turn the motor on by flipping the switch to the 'I' ON position (Fig. 6).
8. Once you have completed blowing, flip the on/off switch to the 'O' OFF position and unplug the power cord from the outlet (Fig. 7).

MAINTENANCE



EMPTYING THE COLLECTION TANK



WARNING: ALWAYS DISCONNECT THE PLUG FROM THE POWER OUTLET BEFORE REMOVING THE POWERHEAD FROM THE COLLECTION TANK.

1. Verify that the power cord is disconnected from the outlet (Fig. 1).
2. Disconnect the hose from the vacuum (Fig. 2).
3. Undo the latches and remove the powerhead from the collection tank (Fig. 3). Place the powerhead on a soft, clean surface upside down.
4. Clear all dirt or debris from the collection tank and hose into a proper waste container (Fig. 4).
5. Clean or replace the filters.
6. Check the hose, accessories, and power cord to ensure that they have not been damaged.
7. Place the powerhead back onto the collection tank and secure latches.

IMPORTANT! Clean or change the cartridge filter regularly for best performance. **ALWAYS USE THE CARTRIDGE FILTER FOR DRY VACUUMING.** If the machine is used without the cartridge filter, the motor will burn out and the warranty will be voided. Always keep spare filters on hand.

NOTICE! The filters included are made of high-quality materials designed to stop small dust particles. The cartridge filter should be used for dry pick-up only. A dry cartridge filter is necessary to pick up dust. If the cartridge filter is wet, it will clog quickly and be very difficult to clean. Handle the filter carefully when removing it for cleaning and replacing it. Check the filters for tears or small holes. A small hole can let dust pass through and out of the filter. Do not use a filter with holes or tears; replace it immediately.

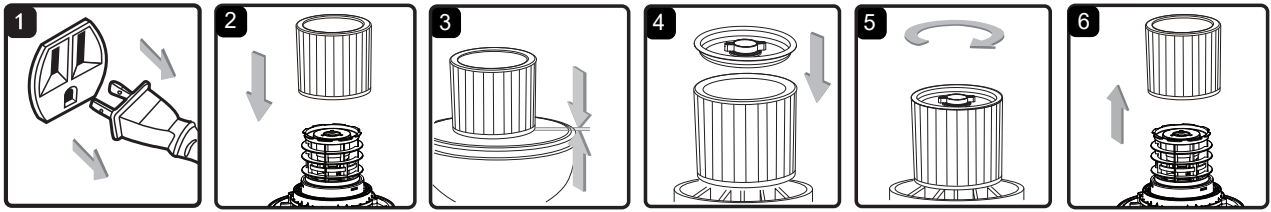
STORAGE

Before storing your vacuum, the collection tank should be emptied and cleaned. The accessories should be cleaned and stored so they can be readily available when needed. Store the wet/dry vacuum indoors.

REPAIRS

Repairs for this wet/dry vacuum should be performed only by qualified service personnel using only identical replacement parts.

INSTALLING & CLEANING CARTRIDGE FILTER



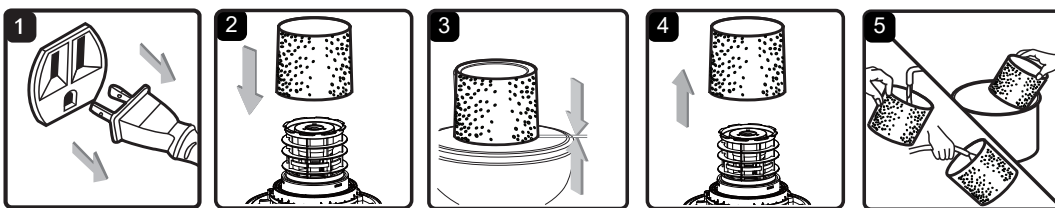
INSTALLING CARTRIDGE FILTER

1. Verify that the power cord is disconnected from the outlet (Fig. 1).
2. Remove the powerhead and place in an upside-down position.
3. Install the cartridge filter over the filter cage making sure the cage is completely covered (Fig. 2 & 3).
4. Place the filter retainer on the top of the cartridge filter over the raised lip and tighten down by turning the retainer clockwise; do not over-tighten (Fig. 4 & 5).
5. Place the powerhead back onto the collection tank.

REMOVING & CLEANING CARTRIDGE FILTER

1. Unlock and remove the filter retainer by turning the retainer handle counterclockwise.
2. With the removed powerhead in an upside-down position, carefully remove the cartridge filter from the filter cage (Fig. 6).
3. Clean the cartridge filter by gently tapping or brushing dirt off. Cleaning should not be done indoors in living areas. For optimal performance, a new filter is recommended.
4. Install cleaned or new filter as above in steps 2-4 of Installing Cartridge Filter.
5. Allow the wet filter to air dry for 24 hours before installing onto the filter cage.

INSTALLING & CLEANING FOAM WET FILTER



INSTALLING FOAM WET FILTER

1. Verify that the power cord is disconnected from the outlet (Fig.1).
2. Remove the powerhead and place in an upside-down position. Follow instructions to remove the cartridge filter on page 13.
3. Carefully slide the foam wet filter down over the filter cage making sure the cage is completely covered (Fig. 2 & 3).
4. Place the powerhead back onto the collection tank.

CLEANING FOAM WET FILTER

1. With the removed powerhead in an upside-down position, carefully remove the foam wet filter (Fig. 4).
2. Use a mild soap and water solution to wash the foam wet filter and rinse with clean water (Fig. 5).
3. Allow the wet filter to air dry for 24 hours before installing onto the filter cage.

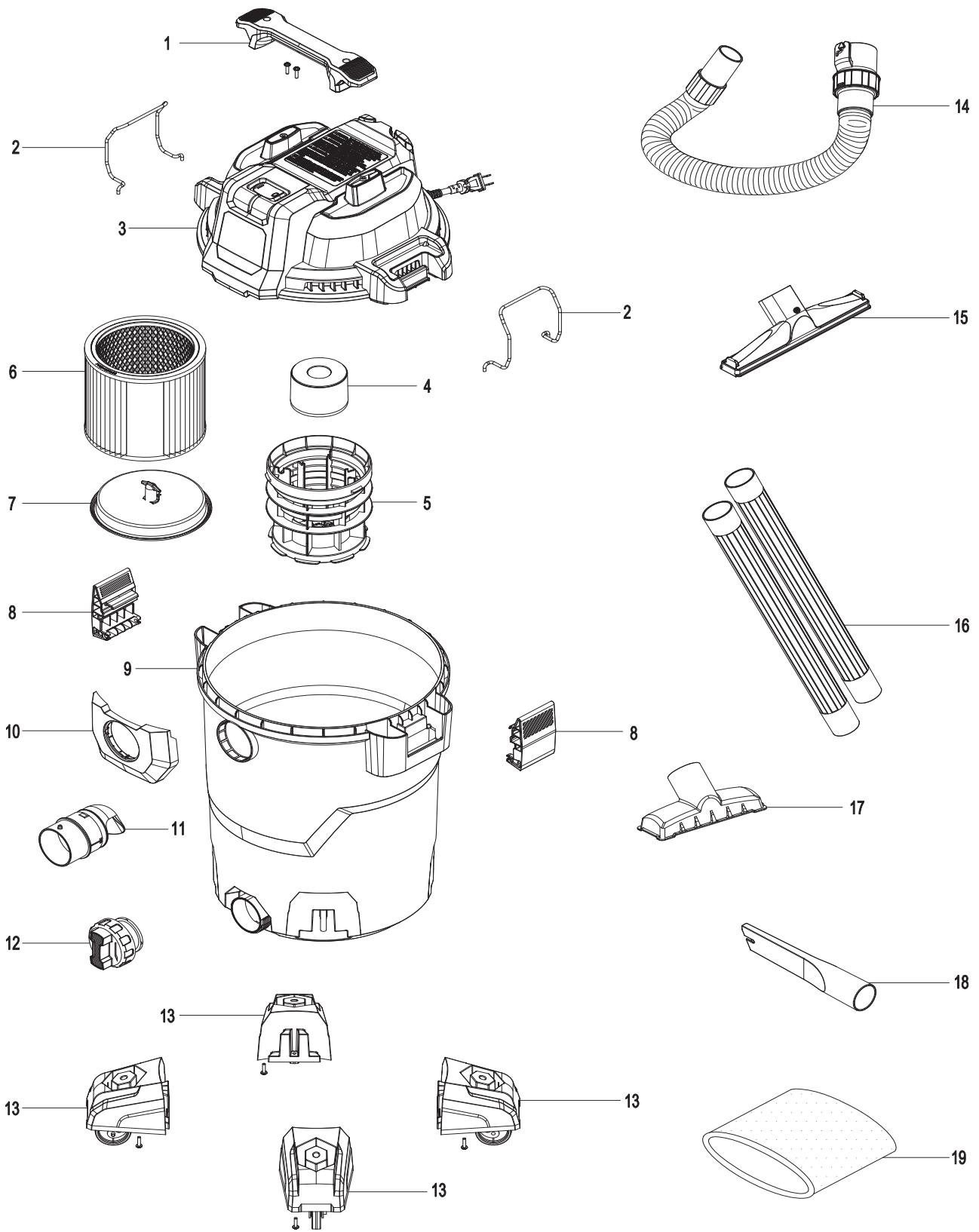
TROUBLESHOOTING



WARNING: TO REDUCE THE RISK OF ELECTRIC SHOCK, UNPLUG BEFORE TROUBLESHOOTING.

PROBLEM	POSSIBLE CAUSE	SOLUTION
The wet/dry vacuum will not operate.	No power supply.	Check the power supply, cord, breakers, and fuses.
	Faulty power cord.	Unplug and check the power cord. If damaged, have it repaired by a professional.
	Collection tank is full.	Empty the collection tank.
	Switch in the wrong position.	Press the ON 'I' button on the powerhead.
The dust comes out from the motor cover.	The cartridge filter is missing or damaged.	Attach or replace the cartridge filter.
	Vacuum has been used to collect fine dust, such as dry wall dust, fireplace soot, or ash, without a fine dust filter.	Remove the standard cartridge filter and install the appropriate fine dust cartridge filter (available separately).
	Incorrect use of foam filter when dry vacuuming.	Replace the foam wet filter with the cartridge filter.
Reduced efficiency and motor/speed vibration.	There are blockages in the nozzle, or hose, or the collection tank inlets.	Unplug and check nozzle, hose, and collection tank inlets for blockages.
	The cartridge filter is clogged by fine dust.	Take off the filter and clean it or install a new cartridge filter.
	Float valve has closed.	Empty the collection tank of any liquid waste and ensure the float valve located underneath the filter is able to move freely.

EXPLODED VIEW



PARTS LIST

Part	Part Number	Description	Quantity
1	551930101	Handle Assembly	1
2	551676101	Storage Rack	2
3		Powerhead Assembly	1
4	551005103	Float	1
5	551437105	Filter Cage	1
6	551030114	Cartridge Filter	1
7	551437107	Filter Retainer	1
8	551674104	Latch	2
9		Collection Tank	1
10	551676104	Vacuum Port Panel	1
11	551676105	Vacuum Port	1
12	551674107	Drain Cap Assembly	1
13	551676106	Caster Foot Assembly	4
14	551676107	Hose	1
15	551011110	Floor Nozzle	1
16	551264103	Extension Wand	2
17	551011109	Utility Nozzle	1
18	551109125	Crevice Tool	1
19	551002118	Foam Filter	1

TABLA DE CONTENIDOS

SECCIÓN	PÁGINA
Garantía.....	3
Instrucciones de seguridad importantes.....	4
Instrucciones sobre el aislamiento doble.....	6
Cables de extensión.....	7
Símbolos.....	7
Desempaque y revisión del contenido de la caja.....	8
Instrucciones generales de ensamblaje.....	9
Operación de aspirado en seco.....	10
Operación de aspirado en mojado.....	12
Operación de soplado.....	14
Mantenimiento.....	15
Instalación y limpieza del filtro de cartucho.....	16
Instalación y limpieza del filtro de espuma para aspirar en mojado.....	17
Resolución de problemas.....	18
Vista expandida.....	19
Lista de partes.....	20

Gracias por comprar esta aspiradora en mojado/seco Vacmaster®. Confíe en que con Vacmaster® obtendrá un producto de alta calidad diseñado para un rendimiento óptimo. Esta aspiradora es capaz de recoger materiales líquidos y secos.



INFORMACIÓN IMPORTANTE

GALONES

“Tamaño del Tanque” se refiere al volumen real del tanque y no refleja la capacidad disponible durante la operación.

HP PICO

“PICO HP” es un término que se utiliza en la industria de aspiradoras seco/mojado para propósitos de comparación. No denota la potencia en caballos de fuerza operativos de una aspiradora seco/mojado, sino más bien la potencia en caballos de fuerza de un motor, incluida la contribución inercial del motor lograda en pruebas de laboratorio. En el uso real, los motores no funcionan a la potencia máxima indicada.

POR SU SEGURIDAD: LEA DETENIDAMENTE Y ASEGÚRESE DE QUE COMPRENDE TODAS LAS INSTRUCCIONES.

GARANTÍA

Nos sentimos orgullosos de ofrecer a usted un producto de alta calidad y durabilidad. Este producto de Vacmaster® tiene una garantía limitada de dos (2) años contra defectos de mano de obra y materiales a partir de la fecha de compra (o, para entregas en el Estado de California, dos años a partir de la fecha de entrega) en uso doméstico normal. Si el producto se llegase a utilizar de manera comercial, industrial o para su alquiler, se aplicará una garantía limitada de 90 días. Guarde su boleta como prueba de su compra. Esta garantía le concede derechos legales específicos, los cuales podrían variar según el estado en que se encuentre. Para servicio al producto, llame al Servicio al Cliente al 1-866-384-8432.

No cubierto por la garantía:

- Cualquier parte que deje de funcionar debido a un mal uso, negligencia, abuso directo/indirecto, accidentes, mantenimiento, reparaciones o alteraciones inadecuadas;
- Piezas consumibles tales como filtros y accesorios;
- Desgaste y rotura normal de piezas y accesorios, como mangueras, boquillas o ruedecillas;
- Deterioro normal del acabado exterior debido al uso o exposición;
- Cualquier producto cuyo número de serie o etiqueta haya sido alterado o removido;
- Cualquier producto adquirido en un punto de ventas no autorizado.

INSTRUCCIONES DE SEGURIDAD IMPORTANTES

ANTES DE USAR ESTA ASPIRADORA, LEA Y COMPRENDA TODAS LAS INSTRUCCIONES.

Lea y comprenda este manual del usuario y todas las etiquetas de la aspiradora antes de utilizarla. La seguridad es una combinación sentido común, permanecer alerta y saber cómo funciona su aspiradora. Use esta aspiradora solo como se describe en este manual. Para reducir el riesgo de lesiones personales o daños a su aspiradora, use solo los accesorios recomendados por el fabricante.

CONSERVE ESTE MANUAL PARA FUTURA REFERENCIA.

Al usar una aspiradora es necesario seguir precauciones básicas, incluidas las siguientes. No seguir las advertencias e instrucciones puede provocar explosiones, incendios o lesiones graves.



ADVERTENCIA: PARA REDUCIR EL RIESGO DE INCENDIO, DESCARGA ELÉCTRICA O LESIONES:

- No deje la aspiradora funcionando sin supervisión.
- No use el producto para aspirar líquidos combustibles o inflamables, como gasolina, ni lo use en zonas donde puedan existir tales elementos.
- No aspire ni use esta aspiradora cerca de líquidos, gases o vapores inflamables como gasolina u otros combustibles, líquido de encendedores, limpiadores, pinturas de base oleosa, gas natural, hidrógeno o polvos explosivos como aquellos de carbón, magnesio, granos o pólvora. Las chispas en el interior del motor pueden encender a los vapores o polvos inflamables.
- No aspire materiales tóxicos, a fin de reducir el riesgo de peligros provocados por vapores o polvo.
- No la use ni almacene cerca de materiales peligrosos.
- No aspire elementos que estén en llamas o humeando, tales como cigarrillos, fósforos o cenizas calientes.
- No exponer a la lluvia. Almacenar en interiores.
- Si la aspiradora no funciona como debería, si se ha caído, dañado, dejado en exteriores o si se ha caído al agua, entréguela en un centro de servicio.
- No desconecte tirando del cable. Para desconectarlo tire de la clavija, no del cable.
- No la utilice si la clavija o el cable están dañados.
- No tire o transporte el aparato utilizando el cable como a modo de empuñadura, no apriete el cable al cerrar puertas ni pase el cable cerca de bordes afilados o esquinas.
- Mantenga el cable alejado de superficies calientes.
- No use la aspiradora sobre su cable.
- No sujete el enchufe ni aspire con las manos mojadas.
- No utilice sin la bolsa para el polvo y/o los filtros puestos.
- No permita que se utilice como un juguete. Se debe prestar estricta atención cuando el aparato lo usen niños o cuando se use cerca de ellos.
- Para reducir el riesgo de lesiones provocadas por un encendido accidental, desconecte el cable antes de cambiar o limpiar el filtro.
- No deje la aspiradora desatendida cuando esté enchufada. Desenchúfela de la toma de corriente cuando no esté en uso y antes de realizar el mantenimiento.
- Apague todos los controles antes de desconectar el dispositivo.
- Desconéctela antes de colocar o quitar la manguera o cualquier otro accesorio.
- No ponga ningún objeto sobre las aberturas. No lo utilice si las aberturas están bloqueadas; tenga cuidado que no haya polvo, cabellos, pelusas en las aberturas o cualquier cosa que pueda reducir el flujo de aire.
- Mantenga su cabello, ropas holgadas, dedos y partes de su cuerpo lejos de las aberturas y piezas móviles del producto.

- Tenga precaución adicional al limpiar en escaleras.
- Utilice el producto solo como se describe en este manual. Utilice solo los accesorios recomendados por el fabricante.
- Esta aspiradora está provista de doble aislamiento. Utilice solo piezas de repuesto idénticas. Consulte INSTRUCCIONES SOBRE EL AISLAMIENTO DOBLE.



PRECAUCIÓN: Para reducir el riesgo de lesiones provocadas por las piezas móviles, desconecte el producto antes de realizarle mantenimiento.



ADVERTENCIA: Para evitar el riesgo de sufrir descargas eléctricas, desconecte la aspiradora antes de limpiarla o realizarle mantenimiento.

Al usar como sopladora:

- Descargue aire directamente solo sobre la zona de trabajo.
- No use la aspiradora en mojado/seco como pulverizador.
- No dirija el aire hacia personas.
- Mantenga a los niños alejados mientras utilice la aspiradora como sopladora.
- Use gafas de seguridad.

GUARDE ESTAS INSTRUCCIONES

Solo para uso doméstico

INSTRUCCIONES SOBRE EL AISLAMIENTO DOBLE

Esta aspiradora en mojado/seco posee un aislamiento doble, lo que elimina la necesidad de usar un sistema de conexión a tierra separado. Utilice solo piezas de repuesto idénticas. Lea estas instrucciones de reparación de aspiradoras en mojado/seco con aislamiento doble antes de repararlas. Use esta aspiradora como se describe en este manual.

Tenga en cuenta las siguientes advertencias que aparecen en la carcasa del motor de su aspiradora.



AISLAMIENTO DOBLE: NO REQUIERE CONEXIÓN A TIERRA - AL REPARAR, UTILIZAR SOLO PIEZAS DE REPUESTO IDÉNTICAS.



ADVERTENCIA: PARA REDUCIR EL RIESGO DE DESCARGA ELÉCTRICA, NO EXPONGA EL PRODUCTO A LA LLUVIA. ALMACENAR EN INTERIORES.




ADVERTENCIA: POR SU PROPIA SEGURIDAD, LEA Y COMPRENDA EL MANUAL DEL USUARIO. NO UTILIZAR SIN SUPERVISIÓN. NO ASPIRE CENIZAS CALIENTES, CARBÓN, ELEMENTOS TÓXICOS O INFLAMABLES NI OTROS MATERIALES PELIGROSOS. NO UTILIZAR CERCA DE LÍQUIDOS O VAPORES EXPLOSIVOS.



PRECAUCIÓN: NO ASPIRE EL POLVO DE PANELES DE YESO-CARTÓN, HOLLÍN DE CHIMENEAS O CENIZAS CON UN FILTRO ESTÁNDAR PARA MOJADO/SECO. ESTE TIPO DE POLVO ES MUY FINO, POR LO QUE PODRÍA NO SER ATRAPADO POR EL FILTRO Y ASÍ DAÑAR AL MOTOR.



ADVERTENCIA: REPARACIÓN DE ASPIRADORAS EN MOJADO/SECO CON AISLAMIENTO DOBLE.

LAS ASPIRADORAS EN MOJADO/SECO CON DOBLE AISLACIÓN POSEEN DOS SISTEMAS DE AISLACIÓN EN LUGAR DE CONEXIÓN A TIERRA. NO SE INCLUYEN CONEXIONES A TIERRA PARA LOS APARATOS CON DOBLE AISLAMIENTO, POR LO QUE TAMPOCO DEBE AGREGARSE UNA CONEXIÓN A TIERRA A DICHS APARATOS. LA REPARACIÓN DE UNA ASPIRADORA EN MOJADO/SECO CON AISLAMIENTO DOBLE REQUIERE EXTREMO CUIDADO Y CONOCIMIENTO DEL SISTEMA, POR LO QUE DEBE REALIZARSE SOLO MEDIANTE PERSONAL DE SERVICIO CALIFICADO. LAS PIEZAS DE REPUESTO UTILIZADAS EN UNA ASPIRADORA EN MOJADO/SECO DE AISLACIÓN DOBLE DEBEN SER IGUALES A LAS ORIGINALES. SU ASPIRADORA EN MOJADO/SECO CON DOBLE AISLAMIENTO ESTÁ MARCADA CON LAS PALABRAS “DOBLE AISLAMIENTO” Y EL SÍMBOLO  (UN CUADRADO DENTRO DE OTRO CUADRADO) TAMBIÉN PODRÍA ESTAR INDICADO EN EL ELECTRODOMÉSTICO.




CABLES DE EXTENSIÓN

Al usar un cable de extensión con su aspiradora en mojado/seco, consulte la siguiente table para conocer el calibre A.W.G. necesario del cable. Antes de utilizar la aspiradora, asegúrese de que el cable y el alargador estén en buena condición operativa. Realice las reparaciones o cambios de piezas antes de usar la aspiradora. Utilice solo cables de extensión calificados para uso en exteriores.

120V		Largo del cable de extensión			
		25 pies (7,62 m)	50 pies (15,24 m)	100 pies (30,48 m)	150 pies (45,72 m)
Amperaje		A.W.G. Tamaño del cable			
Más de	No más de				
0	6	18	16	16	14
6	10	18	16	14	12
10	12	16	16	14	12
12	16	14	12	No recomendado	

SÍMBOLOS

Las siguientes palabras y significados están diseñados para explicar los niveles de riesgo asociados a este producto.

SÍMBOLO	SEÑAL	SIGNIFICADO
	PELIGRO	Indica una situación peligrosa inminente la cual, de no evitarse, podría causar la muerte o lesiones severas.
	ADVERTENCIA	Indica una situación potencialmente peligrosa la cual, de no evitarse, podría causar la muerte o lesiones severas.
	PRECAUCIÓN	Indica una situación potencialmente peligrosa, la cual, de no evitarse, podría causar una lesión menor o moderada.
	AVISO	(Sin símbolo de alerta de seguridad) Indica una situación que podría causar daños a la propiedad.

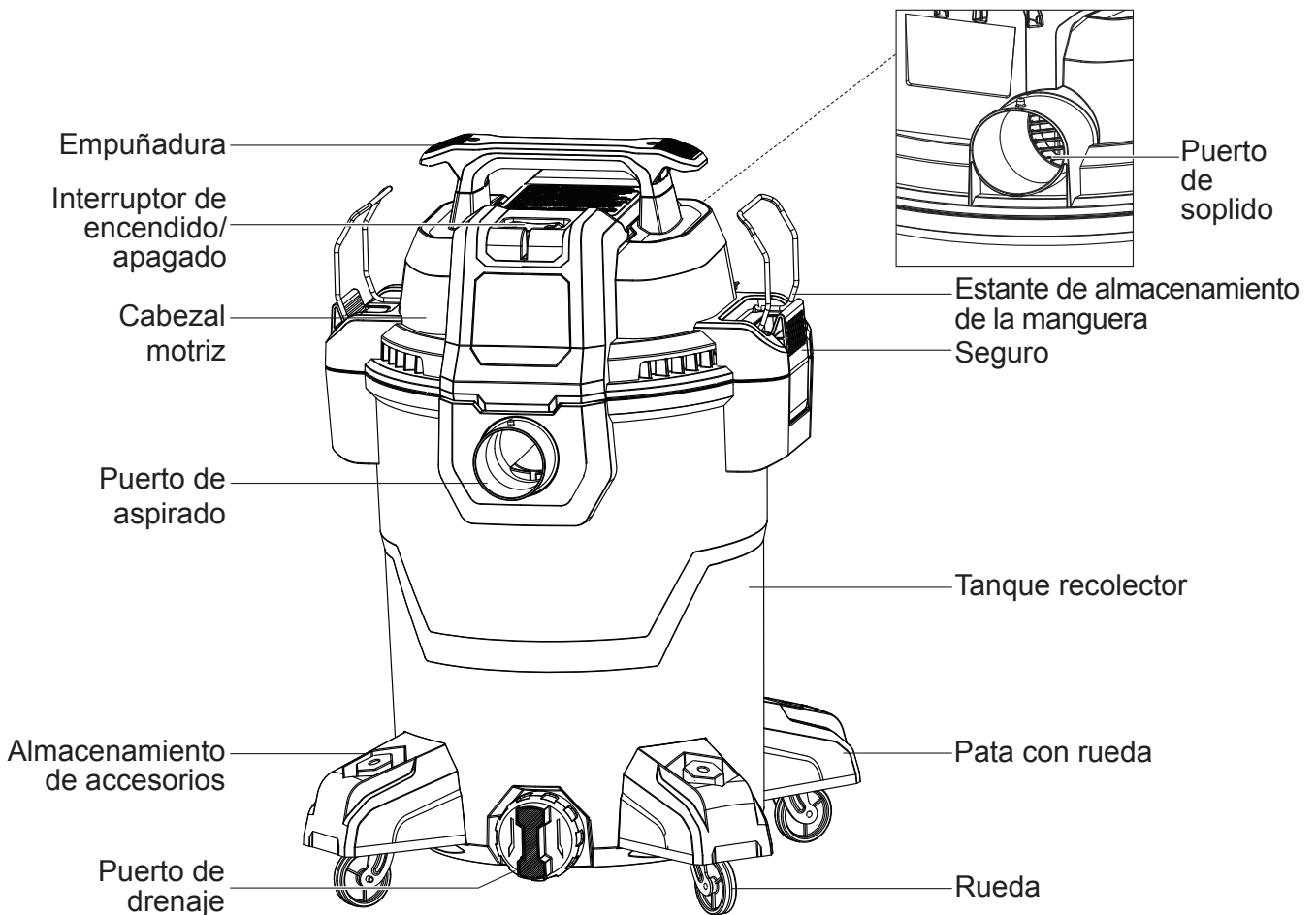
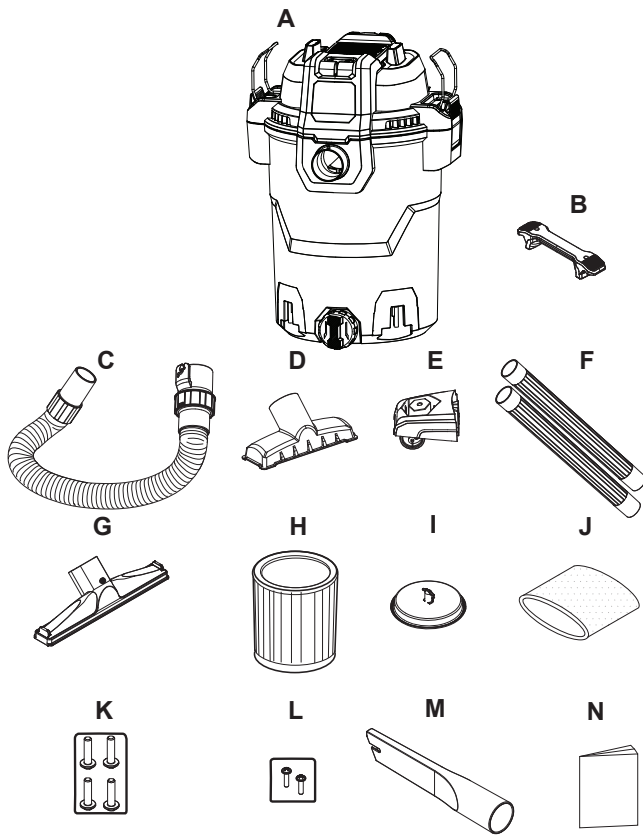
DESEMPAQUE Y REVISIÓN DEL CONTENIDO DE LA CAJA

Elimine todo el contenido de la caja. Retire el cabezal motriz y extraiga el contenido del tanque recolector. Revise cada artículo en contraste con la lista de contenidos de la caja.

Lista de contenidos de la caja:

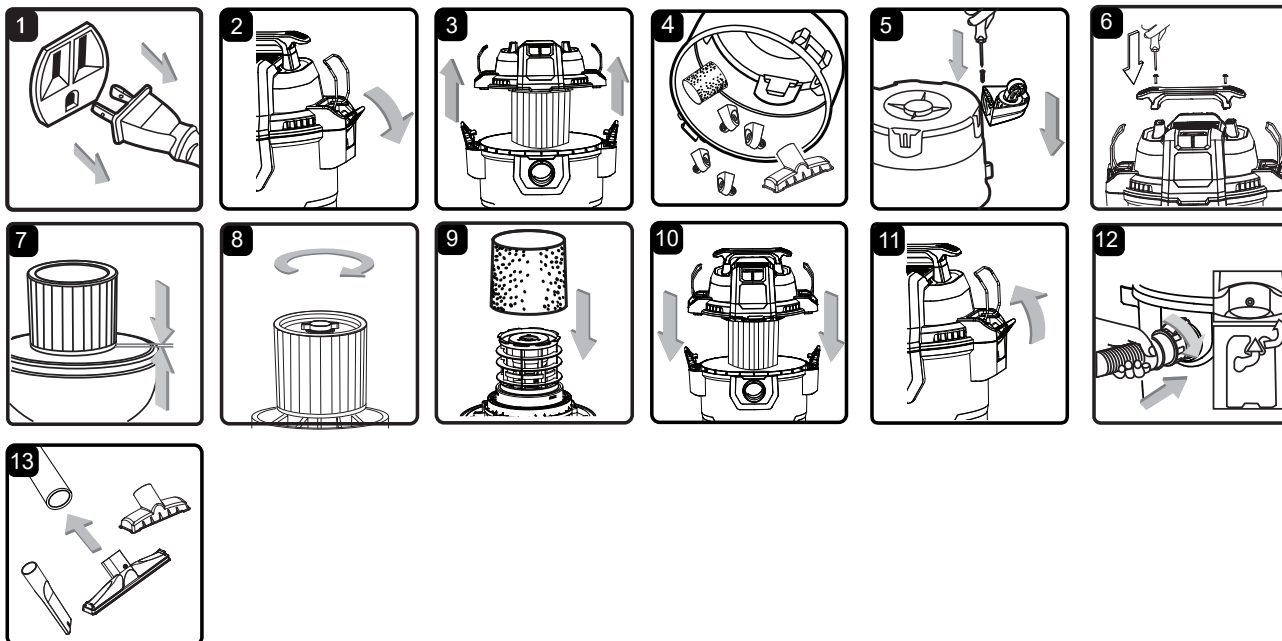
Llave	Descripción	Cant.
A	Ensamblaje de vacío.....	1
B	Empuñadura.....	1
C	Manguera.....	1
D	Boquilla utilitaria.....	1
E	Pata con ruedecilla.....	4
F	Varas de extensión.....	2
G	Boquilla para pisos.....	1
H	Filtro de cartucho.....	1
I	Retenedor del filtro.....	1
J	Filtro de espuma para aspirar en mojado.....	1
K	4 tornillos (bolsa).....	1
L	2 tornillos(bolsa/para empuñadura).....	1
M	Herramienta para hendiduras.....	1
N	Manual del usuario.....	1

NOTA: la manguera y los accesorios de esta aspiradora tienen un diámetro de 1-7/8" pulgadas (47.6 mm).



INSTRUCCIONES GENERALES DE ENSAMBLAJE

Se necesita un destornillador de cabeza Phillips.




⚠ ADVERTENCIA: NO CONECTE EL CABLE DE ALIMENTACIÓN A UNA TOMA DE CORRIENTE. ASEGÚRESE DE QUE EL ENCHUFE ESTÉ DESCONECTADO ANTES DE ENSAMBLAR LA ASPIRADORA EN MOJADO/SECO. PARA REDUCIR EL RIESGO DE DESCARGA ELÉCTRICA, NO EXPONGA EL PRODUCTO A LA LLUVIA.

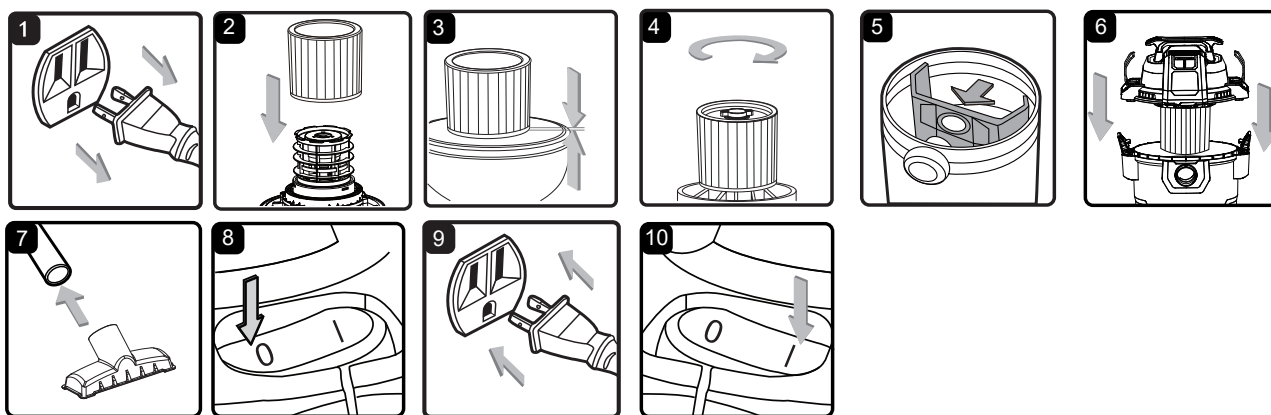
DESEMPAQUE DE SU ASPIRADORA EN MOJADO/SECO Y ENSAMBLAJE GENERAL

1. Compruebe que el cable de alimentación esté desconectado de la toma de corriente (Fig. 1).
2. Abra los seguros (Fig. 2).
3. Levante el cabezal motriz sacándolo del tanque recolector (Fig. 3).
4. Saque el contenido del interior del tanque recolector. Asegúrese de tener todo el contenido indicado en la página 8 (Fig. 4).
5. Dé la vuelta al depósito colector, inserte las cuatro ruedas en las ranuras del depósito y apriételas con los tornillos suministrados. Compruebe que las patas con ruedecilla estén instaladas correctamente. No apriete demasiado los tornillos (Fig. 5).
6. Inserte la empuñadura en las ranuras de la parte superior del cabezal motriz y asegúrela usando los tornillos incluidos. No apriete los tornillos más de la cuenta (Fig. 6).
7. Su aspiradora viene lista para aspirar en seco. Si el filtro de cartucho no está instalado, consulte la página 16 para ver sus instrucciones de instalación (Fig. 7 y 8).
8. Para aspirar en mojado, retire el filtro de cartucho e instale el filtro de espuma para aspirar en mojado. Consulte la página 17 para ver las instrucciones de instalación del filtro de espuma para aspirar en mojado (Fig. 9).
9. Coloque el cabezal motriz de vuelta en el tanque recolector y asegúrelo en posición usando los seguros (Fig. 10 y 11).
10. Inserte el extremo más grande de la manguera en el puerto de aspirado del tanque recolector y fíjelo (Fig. 12).
11. Elija el accesorio deseado e insértelo en el extremo de la manguera o vara de extensión (Fig. 13).


ENCHUFE POLARIZADO


Para reducir el riesgo de descarga eléctrica, este aparato tiene un enchufe polarizado (una clavija más ancha que la otra). Este enchufe calzará en la toma de corriente de pared polarizado solo en una posición. Si el enchufe no entra completamente en la toma de corriente, póngalo al revés. Si aún no calza, contacte a un técnico electricista calificado que pueda ayudarle a instalar la toma de corriente indicado. No modifique el enchufe de ningún modo. El aislamiento doble  elimina la necesidad de usar un cable de tres puntas y un sistema de alimentación con conexión a tierra.


OPERACIÓN DE ASPIRADO EN SECO



ASPIRADO EN SECO

 **ADVERTENCIA:** ASEGÚRESE DE LEER, COMPRENDER Y APLICAR LA INFORMACIÓN TITULADA “INSTRUCCIONES DE SEGURIDAD IMPORTANTES”. NO ASPIRE EN ZONAS CON GASES, VAPORES O POLVOS INFLAMABLES EN EL AIRE. ENTRE LOS GASES O VAPORES INFLAMABLES SE INCLUYEN, SIN LIMITACIÓN A, LOS SIGUIENTES: FLUIDO DE ENCENDEDOR, LIMPIADORES TIPO SOLVENTES, PINTURAS EN BASE A ÓLEO, BENCINA, ALCOHOL O SPRAYS DE AEROSOL. ENTRE LOS POLVOS EXPLOSIVOS SE INCLUYEN, SIN LIMITACIÓN A, LOS SIGUIENTES: CARBÓN, MAGNESIO Y GRÁNULOS O PÓLVORA DE ARMAS. PARA REDUCIR LOS RIESGOS A LA SALUD PROVOCADOS POR VAPORES O POLVOS, NO ASPIRE MATERIALES TÓXICOS.

 **ADVERTENCIA:** NO CONECTE EL CABLE DE ALIMENTACIÓN A UNA TOMA DE CORRIENTE. ASEGÚRESE DE QUE LA CLAVIJA ESTÉ DESCONECTADA ANTES DE CAMBIAR LOS FILTROS.

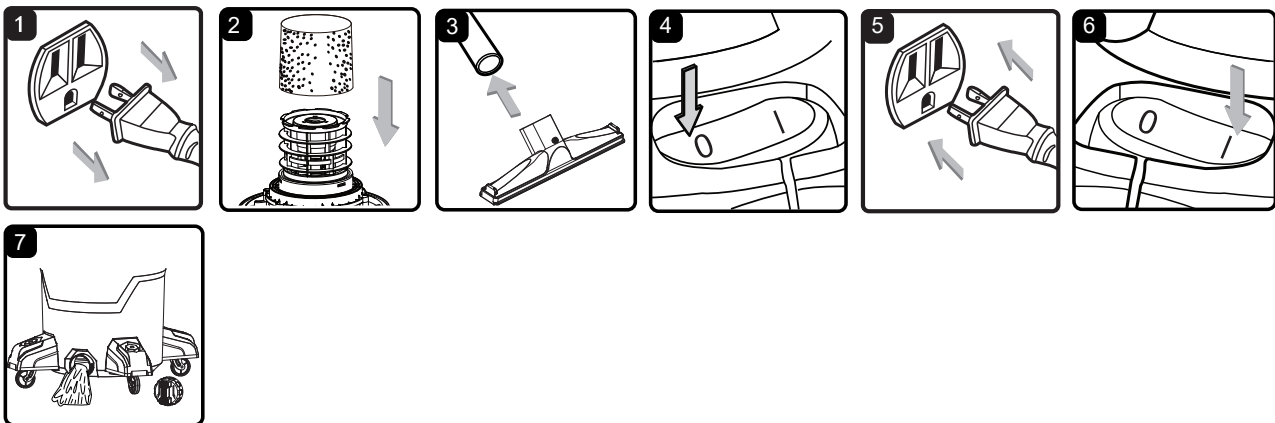
 **PRECAUCIÓN:** NO ASPIRE EL POLVO DE PANELES DE YESO, HOLLÍN DE CHIMENEAS O CENIZAS CON UN FILTRO ESTÁNDAR PARA MOJADO/SECO. ESTE TIPO DE POLVO ES MUY FINO, POR LO QUE PODRÍA NO SER ATRAPADO POR EL FILTRO Y DAÑAR AL MOTOR. AL ASPIRAR POLVO FINO, USE UN FILTRO PARA POLVO FINO (SE VENDE POR SEPARADO).

1. Compruebe que el cable de alimentación esté desconectado de la toma de corriente (Fig. 1).
2. Para preparar su aspiradora para la aspiración en seco, asegúrese de que el filtro del cartucho cubra completamente el receptáculo del filtro contra el cabezal motriz. Su aspiradora de en mojado/seco incluye el filtro de cartucho preinstalado. Para ver las instrucciones de instalación, consulte la página 16 (Fig. 2 y 3).
3. Coloque el retén del filtro sobre el filtro de cartucho y apriételo girando la empuñadura del retén hacia la derecha (Fig. 4).
4. Opcional: Para mejorar el filtrado de polvo, coloque la brida de la bolsa recolectora de polvo en el puerto de entrada, asegurándose de no dañar la bolsa (Fig. 5). La bolsa para recoger el polvo se vende por separado.
5. Coloque el cabezal motriz de vuelta en el tanque recolector y asegúrelo en posición usando los seguros (Fig. 6).
6. Inserte el extremo más grande de la manguera en el puerto de aspirado del tanque recolector y fíjelo.
7. Empuje el accesorio requerido en el extremo libre de la manguera o vara de extensión (Fig. 7).
8. Verifique que el interruptor de encendido esté en la posición de apagado "O" antes de conectar la clavija a la toma de corriente. Conecte el cable de alimentación a la toma de corriente (Fig. 8 y 9).
9. Ponga el interruptor en la posición "I" (Encendido) para encender la aspiradora y comenzar a aspirar (Fig. 10).
10. Una vez que haya terminado de aspirar, coloque el interruptor en la posición "O" OFF (Apagado) y desenchufe el cable de alimentación de la toma de corriente.

O = APAGADO I = ENCENDIDO

**NO UTILICE EL FILTRO DE CARTUCHO PARA ASPIRAR LÍQUIDOS.
NO USE BOLSAS DE POLVO PARA ASPIRAR LÍQUIDOS.**

OPERACIÓN DE ASPIRADO EN MOJADO



ASPIRADO EN MOJADO



ADVERTENCIA: ASEGÚRESE DE LEER, COMPRENDER Y APLICAR LA INFORMACIÓN TITULADA “INSTRUCCIONES DE SEGURIDAD IMPORTANTES”. NO ASPIRE EN ZONAS CON GASES, VAPORES O POLVOS INFLAMABLES EN EL AIRE. ENTRE LOS GASES O VAPORES INFLAMABLES SE INCLUYEN, SIN LIMITACIÓN A, LOS SIGUIENTES: FLUIDO DE ENCENDEDOR, LIMPIADORES TIPO SOLVENTES, PINTURAS EN BASE A ÓLEO, BENCINA, ALCOHOL O SPRAYS DE AEROSOLES. ENTRE LOS POLVOS EXPLOSIVOS SE INCLUYEN, SIN LIMITACIÓN A, LOS SIGUIENTES: CARBÓN, MAGNESIO Y GRÁNULOS O PÓLVORA DE ARMAS. PARA REDUCIR LOS RIESGOS A LA SALUD PROVOCADOS POR VAPORES O POLVOS, NO ASPIRE MATERIALES TÓXICOS.



ADVERTENCIA: NO CONECTE EL CABLE DE ALIMENTACIÓN EN LA TOMA DE ALIMENTACIÓN. ASEGÚRESE DE QUE EL ENCHUFE ESTÁ DESCONECTADO ANTES DE CAMBIAR LOS FILTROS.

1. Compruebe que el cable de alimentación esté desconectado de la toma de corriente. Asegúrese de que el tanque recolector esté limpio y libre de polvo y suciedad (Fig. 1).
2. Extraiga el filtro de cartucho e instale cuidadosamente el filtro de espuma para aspirado en mojado sobre el receptáculo del filtro, reinstalando el cabezal motriz en el tanque recolector. Para las instrucciones de instalación del filtro de espuma para aspirar en mojado, consulte la página 17 (Fig. 2).

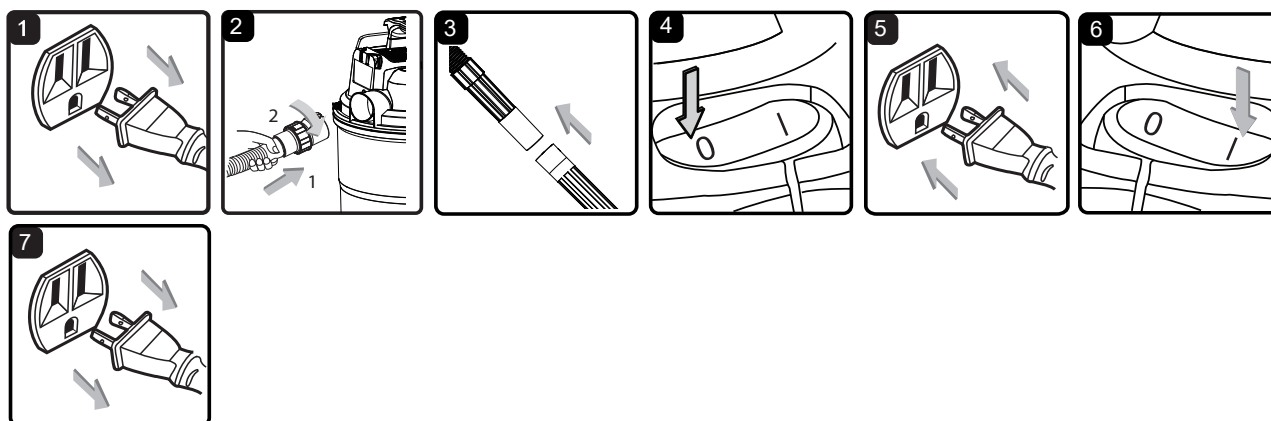
NO UTILICE EL FILTRO DE CARTUCHO PARA ASPIRAR LÍQUIDOS.

3. Empuje el accesorio requerido en el extremo libre de la manguera o vara de extensión (Fig. 3).
4. Verifique que el interruptor de encendido/apagado esté en la posición de apagado “O” antes de conectar la clavija a la toma de corriente. Conecte el cable de alimentación a la toma de corriente (Fig. 4 y 5).
5. Encienda el motor moviendo el interruptor de encendido/apagado a la posición de encendido “I” y comience a aspirar (Fig. 6).
6. Una vez que haya terminado de aspirar, coloque el interruptor en la posición “O” OFF (Apagado) y desenchufe el cable de alimentación de la toma de corriente.
7. Después de utilizarla, vacíe el depósito de recolección desenroscando el tapón de vaciado. Vierta los líquidos en un recipiente adecuado o en el drenaje. Recuerde volver a colocar la tapa del drenaje en el tanque colector (Fig. 7).

¡IMPORTANTE! Al aspirar grandes cantidades de líquido, no sumerja la boquilla completamente en el líquido; deje una brecha en la punta de la abertura de la boquilla para permitir el ingreso de aire. La máquina posee una válvula flotante que detiene la succión cuando el tanque recolector alcanza su capacidad máxima. Sentirá un incremento en la velocidad del motor. Cuando esto suceda, apague la máquina, desconéctela de la energía y vacíe el líquido en un receptáculo apto o drenaje. Para seguir aspirando, vuelva a colocar el tanque recolector con la tapa de drenaje. Tras aspirar, apague la máquina y saque el enchufe de la toma de corriente. Vacíe el tanque recolector; luego, limpie y seque tanto el interior como el exterior antes de almacenarlo.

¡RECUERDE! El filtro de espuma para aspirar en mojado se debe extraer después de aspirar en mojado, para luego proceder a instalar el filtro de cartucho antes de volver a aspirar en seco.

OPERACIÓN DE SOPLADO



Esta aspiradora en mojado/seco puede usarse como sopladora. Para utilizar la función de sopladora, siga estas instrucciones.

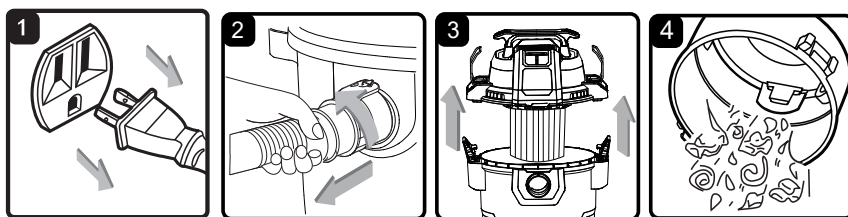
⚠ ADVERTENCIA: SIEMPRE USE GAFAS DE SEGURIDAD QUE CUMPLAN CON ANSI Z87.1 (O EN CANADÁ, CSAZ94.3) ANTES DE UTILIZAR EL SOPLADOR.

⚠ PRECAUCIÓN: MANTENGA A LAS PERSONAS ALEJADAS DE LOS SEDIMENTOS QUE SOPLE LA ASPIRADORA.

⚠ ADVERTENCIA: UTILICE UNA MÁSCARA ANTIPOLVO SI EL SOPLIDO CREA POLVOS QUE SE PUEDAN INHALAR.

1. Compruebe que el cable de alimentación esté desconectado de la toma de corriente (Fig. 1).
2. Asegúrese de que el tanque recolector esté vacío antes de usarlo como soplador. Limpie toda la suciedad y los restos de la manguera y el tanque recolector.
3. Extraiga la manguera del puerto de aspirado.
4. Inserte el extremo más grande de la manguera en el puerto de soplado de la parte posterior del cabezal motriz y fíjelo en posición (Fig. 2).
5. Coloque el accesorio deseado en la manguera o en el tubo extensor (Fig. 3).
6. Verifique que el interruptor de encendido/apagado esté en la posición de apagado "O" antes de conectar la clavija a la toma de corriente. Conecte el cable de alimentación a la toma de corriente (Fig. 4 y 5).
7. Antes de encender la aspiradora, sostenga firmemente el extremo suelto de la manguera. Encienda el motor moviendo el interruptor a la posición de encendido "I" (Fig. 6).
8. Tras haber terminado de soplar, mueva el interruptor de encendido/apagado a la posición de apagado "O" y desconecte el cable de la toma de corriente (Fig. 7).

MANTENIMIENTO



VACIADO DEL TANQUE RECOLECTOR



ADVERTENCIA: DESCONECTE SIEMPRE LA CLAVIJA DE LA TOMA DE ALIMENTACIÓN ANTES DE SACAR EL CABEZAL MOTRIZ DEL TANQUE RECOLECTOR.

1. Compruebe que el cable de alimentación esté desconectado de la toma de corriente (Fig. 1).
2. Desconecte la manguera de la aspiradora (Fig. 2).
3. Abra los seguros y saque el cabezal motriz del tanque recolector (Fig. 3). Coloque el cabezal motriz boca abajo sobre una superficie suave y limpia.
4. Limpie toda la suciedad o los residuos del tanque recolector y la manguera en un contenedor de desechos adecuado (Fig. 4).
5. Limpie o reemplace los filtros.
6. Revise la manguera, accesorios y cable de alimentación para verificar que no tengan daños.
7. Coloque el cabezal motriz de vuelta en el tanque recolector y fíjelo usando los seguros.

¡IMPORTANTE! Limpie o cambie el filtro de cartucho regularmente para obtener el mejor desempeño. **USE SIEMPRE EL FILTRO DE CARTUCHO PARA ASPIRAR EN SECO.** Si la máquina se usa sin el filtro de cartucho, el motor se quemará y la garantía quedará anulada. Mantenga siempre filtros de cartucho de repuesto a mano.

¡AVISO! Los filtros incluidos están hechos de materiales de alta calidad diseñados para detener partículas de polvo pequeñas. El filtro de cartucho se debe utilizar solo para aspirar en seco. Se necesita un filtro de cartucho en seco para aspirar polvo. Si el filtro de cartucho está mojado, se aglomerará con rapidez y será difícil de limpiar. Manipule el filtro con cuidado al extraerlo para limpiarlo o al instalarlo. Compruebe que los filtros no tengan roturas ni orificios pequeños. Un pequeño orificio puede permitir que el polvo pase y salga del filtro. No utilice un filtro con orificios ni con roturas; en caso de que el filtro tenga tales daños, cámbielo inmediatamente.

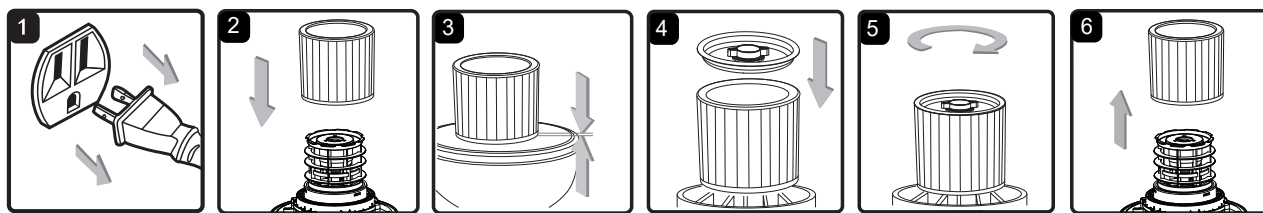
ALMACENAMIENTO

Antes de guardar su aspiradora, el tanque recolector debe vaciarse y limpiarse. Los accesorios deben limpiarse y almacenarse de manera tal que puedan estar disponibles cuando sean necesarios. Almacene la aspiradora en mojado/seco en interiores.

REPARACIONES

Las reparaciones de esta aspiradora en mojado/seco deben ser realizadas solo por personal de servicio calificado, usando piezas de repuesto idénticas a las originales.

INSTALACIÓN Y LIMPIEZA DEL FILTRO DE CARTUCHO



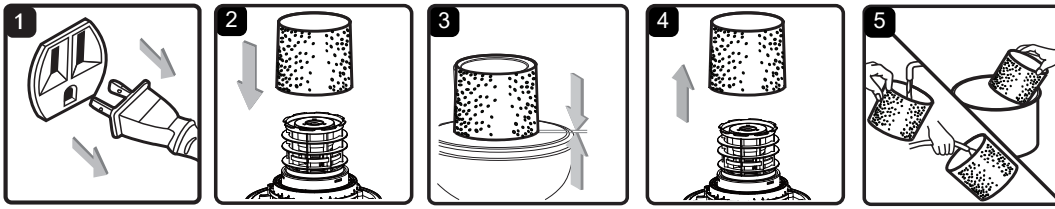
INSTALACIÓN DEL FILTRO DE CARTUCHO

1. Compruebe que el cable de alimentación esté desconectado de la toma de corriente (Fig. 1).
2. Saque el cabezal motriz y colóquelo boca abajo.
3. Instale el filtro de cartucho sobre el receptáculo del filtro, asegurándose de que el receptáculo quede totalmente cubierto (Fig. 2 y 3).
4. Coloque el retén del filtro de la parte superior del filtro de cartucho sobre el borde elevado y apriete girando el retén hacia la derecha. No apriete más de la cuenta. (Fig. 4 y 5).
5. Coloque el cabezal motriz de vuelta en el tanque recolector.

EXTRACCIÓN Y LIMPIEZA DEL FILTRO DE CARTUCHO

1. Desbloquee y saque el retén del filtro girando la empuñadura del retén hacia la izquierda.
2. Con el cabezal motriz extraído y boca abajo, cuidadosamente saque el filtro de cartucho del receptáculo del filtro (Fig. 6).
3. Limpie el filtro de cartucho sacudiendo o barriendo suavemente la suciedad. La limpieza no debe realizarse en interiores ni zonas habitadas. Se recomienda usar un filtro nuevo, a fin de obtener un rendimiento óptimo.
4. Instale el filtro nuevo o limpiado como se indica anteriormente, en los pasos 2–4 de Instalación del filtro de cartucho.
5. Deque que el filtro se seque al aire durante 24 horas antes de instalarlo en el receptáculo del filtro.

INSTALACIÓN Y LIMPIEZA DEL FILTRO DE ESPUMA PARA ASPIRAR EN MOJADO



INSTALACIÓN DE FILTRO DE ESPUMA PARA ASPIRAR EN MOJADO

1. Compruebe que el cable de alimentación esté desconectado de la toma de corriente (Fig. 1).
2. Saque el cabezal motriz y colóquelo boca abajo. Siga las instrucciones para eliminar el filtro de cartucho en la página 16.
3. Deslice cuidadosamente el filtro de espuma para aspirar en mojado sobre el receptáculo del filtro, asegurándose de que el receptáculo quede totalmente cubierto (Fig. 2 y 3).
4. Coloque el cabezal motriz de vuelta en el tanque recolector.

LIMPIEZA DEL FILTRO DE ESPUMA PARA ASPIRAR EN MOJADO

1. Con el cabezal motriz extraído y boca abajo, cuidadosamente saque el filtro de espuma para aspirar en mojado (Fig. 4).
2. Use una solución de agua y jabón suave para lavar el filtro de espuma para aspirar en mojado y enjuáguelo con agua limpia (Fig. 5).
3. Deje que el filtro se seque al aire durante 24 horas antes de instalarlo en el receptáculo del filtro.

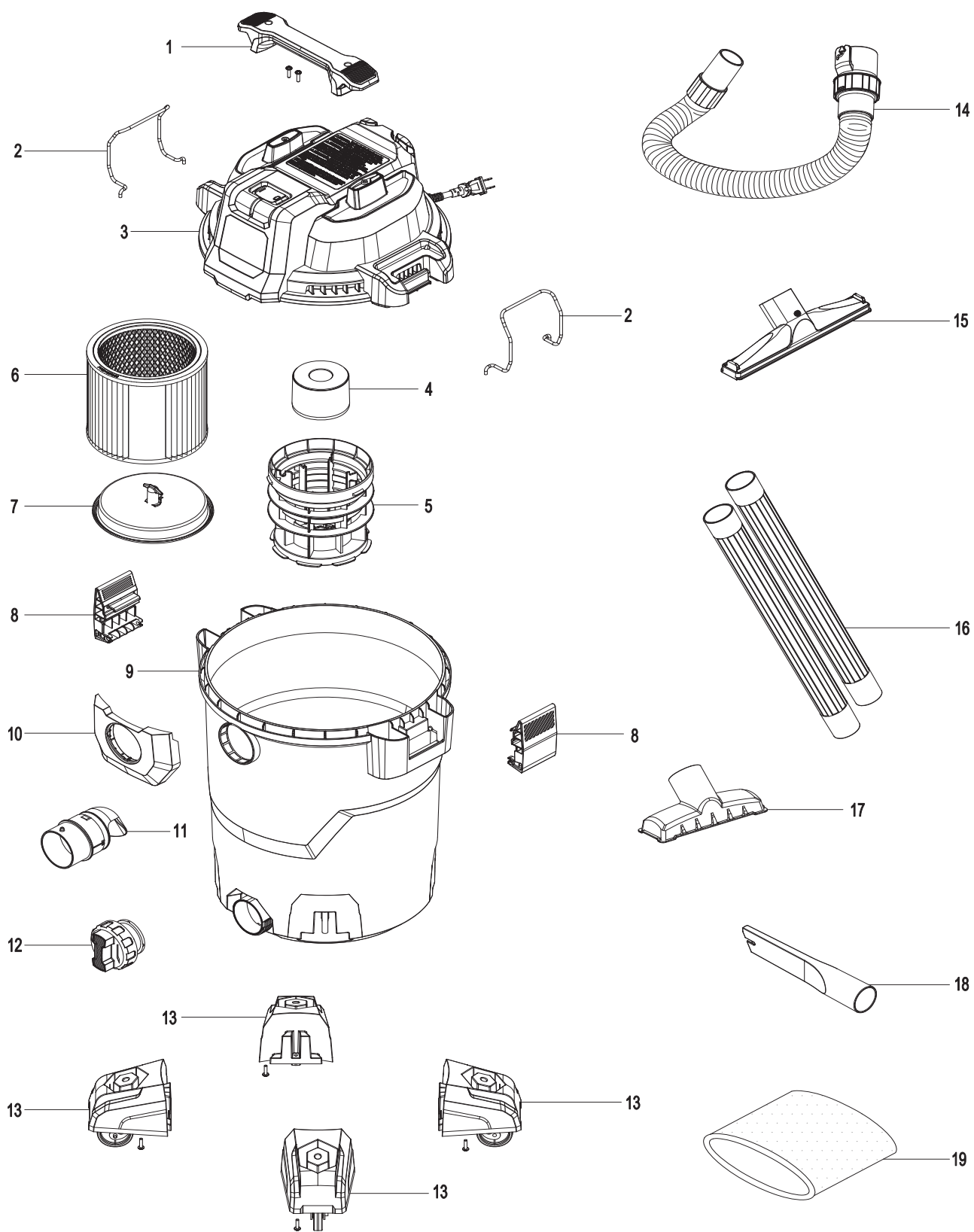
RESOLUCIÓN DE PROBLEMAS



ADVERTENCIA: PARA EVITAR EL RIESGO DE SUFRIR DESCARGAS ELÉCTRICAS, DESCONECTE EL APARATO ANTES DE INTENTAR SOLUCIONAR CUALQUIER PROBLEMA.

PROBLEMA	CAUSA PROBABLE	SOLUCIÓN
La aspiradora en mojado/seco no funcionará.	No hay energía.	Compruebe el suministro de alimentación, cable, disyuntores y fusibles.
	Cable de alimentación defectuoso.	Desconecte y revise el cable de alimentación. Si hay daños, lleve el producto a reparación con un profesional.
	El tanque recolector está lleno.	Vacíe el tanque recolector.
	El interruptor está en la posición incorrecta.	Presione el botón de encendido "I" del cabezal motriz.
El polvo se escapa desde la carcasa del motor.	El filtro de cartucho está dañado o no está instalado.	Coloque o reemplace el filtro de cartucho.
	La aspiradora se ha usado para aspirar polvo fino, como el de yeso-cartón, hollín de chimenea o cenizas, sin un filtro para polvo fino instalado.	Saque el filtro de cartucho estándar e instale el filtro de cartucho adecuado para polvo fino (disponible por separado).
	Uso incorrecto del filtro de espuma al aspirar en seco.	Reemplace el filtro de espuma para aspirar en mojado con el filtro de cartucho.
Menor eficiencia y vibración del motor/ velocidad.	Hay bloqueos en la boquilla, manguera o entradas del tanque recolector.	Desenchufe e inspeccione la boquilla, manguera y entradas del tanque recolector en búsqueda de bloqueos.
	El filtro de cartucho está saturado de polvo fino.	Saque el filtro y límpielo, o bien instale un nuevo filtro de cartucho.
	Válvula de flotación cerrada.	Vacíe cualquier desecho líquido del tanque recolector y asegúrese de que el flotador indicador ubicado bajo el filtro pueda moverse libremente.

VISTA EXPANDIDA



LISTA DE PARTES

Pieza	Número de parte	Descripción	Cantidad
1	551930101	Conjunto de piezas de la empuñadura	1
2	551676101	Estante de almacenamiento de la manguera	2
3		Conjunto de piezas del cabezal motriz	1
4	551005103	Flotador	1
5	551437105	Receptáculo del filtro	1
6	551030114	Filtro de cartucho	1
7	551437107	Retenedor del filtro	1
8	551674104	Seguro	2
9		Tanque recolector	1
10	551676104	Panel del puerto de vacío	1
11	551676105	Puerto de aspirado	1
12	551674107	Conjunto de tapón de drenaje	1
13	551676106	Pata con ruedecilla	4
14	551676107	Manguera	1
15	551011110	Boquilla para pisos	1
16	551264103	Vara de extensión	2
17	551011109	Boquilla utilitaria	1
18	551109125	Herramienta para hendiduras	1
19	551002118	Filtro de espuma para aspirar en mojado	1

SOMMAIRE

SECTION	PAGE
Garantie.....	3
Consignes importantes de sécurité.....	4
Instructions relatives à la double isolation.....	6
Cordons prolongateurs.....	7
Symboles.....	7
Déballage et vérification du contenu du carton.....	8
Instructions relatives au montage général.....	9
Utilisation de l'aspirateur d'atelier sec.....	10
Aspiration de liquides.....	12
Utilisation du souffleur.....	14
Entretien.....	15
Installation et nettoyage du filtre à cartouche.....	16
Installation et nettoyage du filtre en mousse pour matériaux humides.....	17
Dépannage.....	18
Vue éclatée.....	19
Liste des pièces.....	20

Nous vous remercions pour l'acquisition de cet aspirateur d'atelier sec et humide Vacmaster®. Soyez assuré(e) qu'avec Vacmaster®, vous obtenez un produit de qualité supérieure conçu pour vous offrir des performances optimales. Cet aspirateur est doté de la capacité d'aspirer des poussières et liquides.



INFORMATIONS IMPORTANTES

GALLONS

La «TAILLE DU RÉSERVOIR» correspond au volume réel du réservoir et ne reflète pas la capacité disponible en fonctionnement.

PUISSANCE MAX.

La «PUISSANCE MAXIMALE» est un terme utilisé dans le secteur des aspirateurs pour matières sèches et liquides à des fins de comparaison pour les consommateurs. Il ne désigne pas la puissance opérationnelle d'un aspirateur pour matières sèches et liquides, mais plutôt la puissance du moteur, y compris l'apport d'inertie du moteur, atteinte en laboratoire. En utilisation réelle, les moteurs ne fonctionnent pas à la puissance maximale indiquée.

POUR GARANTIR VOTRE SÉCURITÉ : VEUILLEZ LIRE ET ASSIMILER TOUTES LES CONSIGNES.

GARANTIE

Nous sommes fiers d'avoir fabriqué un produit durable de qualité supérieure. Ce produit Vacmaster® bénéficie d'une garantie limitée de deux (2) ans contre tous défauts de fabrication et de matériaux, à compter de la date d'achat (ou, pour les livraisons dans l'État de Californie, deux ans à compter de la date de livraison), dans le cadre d'une utilisation domestique normale. Si le produit est destiné à un usage commercial, industriel ou à des fins de location, une garantie limitée de 90 jours s'applique. Veuillez conserver votre reçu en guise de preuve d'achat. La présente garantie vous donne des droits légaux spécifiques, qui peuvent varier d'un État à l'autre. Si vous avez des questions au sujet de ce produit, appelez le service clientèle au 1-866-384-8432.

Non Couverts par la Garantie :

- Toute pièce devenue inopérante suite à une mauvaise utilisation, une négligence, une utilisation abusive directe ou indirecte, des accidents, un entretien, une réparation et/ou une modification incorrects;
- Tous consommables, tels que filtres et accessoires;
- Usure normale de pièces et accessoires, notamment tuyaux, suceurs ou roulettes;
- Détérioration normale du revêtement extérieur du fait de l'utilisation ou de l'exposition aux intempéries;
- Tout produit dont le numéro de série/la plaque signalétique a été manipulé(e) frauduleusement ou retiré(e);
- Tout produit acheté auprès d'un revendeur non agréé.

CONSIGNES IMPORTANTES DE SÉCURITÉ

VEILLEZ À LIRE ET ASSIMILER TOUTES LES CONSIGNES AVANT TOUTE UTILISATION DU PRÉSENT ASPIRATEUR.

Veillez lire et assimiler le présent manuel d'utilisation ainsi que toutes les étiquettes apposées sur l'aspirateur avant toute utilisation. La sécurité est une combinaison de bon sens, de vigilance et de familiarisation avec le fonctionnement de votre aspirateur. Utilisez cet aspirateur exclusivement conformément aux descriptions fournies dans le présent manuel d'utilisation. Afin de réduire tous risques de blessures corporelles ou de détérioration de votre aspirateur, utilisez exclusivement les accessoires recommandés par le fabricant.

VEUILLEZ CONSERVER LE PRÉSENT MANUEL AFIN DE POUVOIR VOUS Y RÉFÉRER ULTÉRIEUREMENT.

L'utilisation d'un aspirateur exige le respect de certaines mesures de sécurité élémentaires, notamment les suivantes. Le non-respect des avertissements et consignes ci-dessous peut entraîner des risques d'explosion, d'incendie et/ou de blessures graves.



AVERTISSEMENT : AFIN DE RÉDUIRE TOUS RISQUES D'INCENDIE, D'ÉLECTROCUTION OU DE BLESSURES :

- Ne pas faire fonctionner l'aspirateur sans surveillance.
- Ne pas utiliser l'appareil pour aspirer des liquides inflammables ou combustibles, notamment de l'essence, et ne pas l'utiliser dans des endroits où ces substances peuvent être présentes.
- Ne pas aspirer ni utiliser cet aspirateur à proximité de liquides inflammables, de gaz ou de vapeurs explosives, notamment de l'essence ou tous autres carburants, de l'essence pour briquets, des nettoyants, des peintures à base d'huile, du gaz naturel, de l'hydrogène ou des poussières explosives telles que la poussière de charbon, la poussière de magnésium, la poussière de céréales ou la poudre à canon. Les étincelles à l'intérieur du moteur peuvent déclencher des vapeurs ou poussières inflammables.
- Afin de réduire les risques pour la santé provenant des vapeurs ou poussières, n'aspirez pas de matières toxiques.
- Ne pas utiliser ni entreposer l'aspirateur à proximité de matériaux dangereux.
- Ne pas aspirer de matières en combustion ou qui dégagent de la fumée, telles que des cigarettes, des allumettes ou des cendres chaudes.
- À ne pas exposer à la pluie. Veillez à le ranger à l'intérieur.
- En cas de dysfonctionnement, de chute, de détérioration, d'abandon à l'extérieur, ou de chute dans de l'eau, de l'aspirateur, ramenez celui-ci à un centre de réparation.
- Ne pas débrancher l'appareil en tirant sur le cordon. Pour débrancher le produit, saisissez la fiche, pas le cordon.
- Ne pas utiliser l'appareil si le cordon ou la fiche est endommagé(e).
- Ne pas tirer ni porter l'appareil en utilisant le cordon. Ne pas utiliser celui-ci comme poignée ou pour fermer une porte et ne pas l'enrouler autour de bords coupants ou d'arêtes vives.
- Maintenez le cordon à l'écart de toutes surfaces chaudes.
- Ne pas faire passer l'aspirateur sur le cordon.
- Ne pas manipuler la fiche d'alimentation ou l'aspirateur avec des mains mouillées.
- Ne pas utiliser sans le sac à poussières et/ou les filtres en place.
- Ne pas permettre que l'appareil soit utilisé comme un jouet. Soyez très attentif s'il est utilisé par des enfants ou si des enfants se trouvent à proximité.
- Afin de réduire les risques de blessures provoquées par un démarrage accidentel, débranchez le cordon d'alimentation avant le changement ou le nettoyage du filtre.
- Ne pas laisser l'aspirateur branché. Pensez à le débrancher de la prise lorsque vous ne l'utilisez pas ou avant de le réparer ou de l'entretenir.
- Coupez toutes les commandes de l'appareil avant de le débrancher.
- Débranchez le produit avant de raccorder ou de détacher le tuyau ou tous autres accessoires.

- N'introduire aucun objet dans les orifices de l'appareil. Ne pas utiliser l'appareil si un orifice est bouché. Faites en sorte que les orifices ne soient pas encombrés de poussières, peluches, cheveux ou de toute autre objet susceptible de gêner la circulation de l'air.
- Maintenez vos cheveux, vêtements amples, doigts et toutes parties du corps à l'écart des orifices et des pièces mobiles.
- Faites très attention lorsque vous nettoyez des escaliers.
- Utilisez cet appareil exclusivement conformément aux descriptions fournies dans le présent manuel d'utilisation. Utilisez exclusivement les accessoires recommandés par le fabricant.
- Cet aspirateur est livré doté d'une double isolation. Utilisez exclusivement des pièces de rechange identiques aux pièces d'origine. Voir la section « INSTRUCTIONS RELATIVES À LA DOUBLE ISOLATION ».



ATTENTION : Afin de réduire tous risques de blessures dues à des pièces mobiles, débranchez l'appareil avant de procéder à sa réparation.



AVERTISSEMENT : Afin de réduire tous risques d'électrocution, débranchez l'appareil avant de procéder à son nettoyage ou à sa réparation.

Lorsque vous utilisez l'aspirateur en guise de souffleur :

- Orientez le rejet d'air vers la zone de travail exclusivement.
- Ne pas utiliser l'Aspirateur D'Atelier Sec Et Humide en guise de pulvérisateur.
- Ne pas orienter le rejet d'air vers les personnes se trouvant à proximité.
- Tenez les enfants à l'écart lors du soufflage.
- Portez des lunettes de sécurité.

VEUILLEZ CONSERVER LES PRÉSENTES CONSIGNES

Conçu pour une utilisation domestique exclusivement.

INSTRUCTIONS RELATIVES À LA DOUBLE ISOLATION

Cet Aspirateur D'Atelier Sec Et Humide est doté d'une double isolation, ce qui élimine le besoin d'un système de mise à la terre distinct. Utilisez exclusivement des pièces de rechange identiques aux pièces d'origine. Veuillez lire les instructions d'entretien ou de réparation des Aspirateurs D'Atelier Secs Et Humides à double isolation avant de procéder à tous travaux d'entretien ou de réparation. Utilisez cet aspirateur conformément aux descriptions fournies dans le présent manuel. Respectez les avertissements suivants qui sont apposés sur le boîtier du moteur de votre aspirateur.



DOUBLE ISOLATION : MISE À LA TERRE NON NÉCESSAIRE : LORS DE L'ENTRETIEN OU DE LA RÉPARATION DU PRODUIT, UTILISEZ EXCLUSIVEMENT DES PIÈCES DE RECHANGE IDENTIQUES AUX PIÈCES D'ORIGINE.



AVERTISSEMENT : AFIN DE RÉDUIRE TOUS RISQUES D'ÉLECTROCUTION : NE PAS EXPOSER CE PRODUIT À LA PLUIE. VEILLEZ À LE RANGER À L'INTÉRIEUR.




AVERTISSEMENT : POUR VOTRE PROPRE SÉCURITÉ, VEILLEZ À LIRE ET À ASSIMILER LE MANUEL D'UTILISATION. NE PAS FAIRE FONCTIONNER L'APPAREIL SANS SURVEILLANCE. NE PAS ASPIRER DE CENDRES CHAUDES, DE CHARBONS OU TOUS AUTRES MATÉRIAUX TOXIQUES, INFLAMMABLES OU DANGEREUX. NE PAS UTILISER EN PRÉSENCE DE LIQUIDES OU DE VAPEURS EXPLOSIVES.



ATTENTION : NE PAS ASPIRER DE LA POUSSIÈRE DE PLACOPLÂTRE, DE LA SUIE OU DES CENDRES DE CHEMINÉE À L'AIDE D'UN FILTRE POUR MATÉRIAUX HUMIDES/À POUSSIÈRE ORDINAIRES. CE TYPE DE POUSSIÈRE EST TRÈS FIN ET NE PEUT ÊTRE CAPTURÉ PAR LE FILTRE ET RISQUE D'ENDOMMAGER LE MOTEUR.



AVERTISSEMENT : ENTRETIEN OU RÉPARATION DE L'ASPIRATEUR D'ATELIER SEC ET HUMIDE À DOUBLE ISOLATION

AVEC UN ASPIRATEUR D'ATELIER SEC ET HUMIDE À DOUBLE ISOLATION, DEUX SYSTÈMES D'ISOLATION SONT PRÉVUS À LA PLACE DE LA MISE À LA TERRE. AUCUNE MISE À LA TERRE N'EST FOURNIE SUR UN APPAREIL À DOUBLE ISOLATION ET IL NE CONVIENT PAS D'EN AJOUTER UNE. LA RÉPARATION D'UN ASPIRATEUR D'ATELIER SEC ET HUMIDE À DOUBLE ISOLATION REQUIERT UNE PRUDENCE EXTRÊME ET UNE BONNE CONNAISSANCE DU SYSTÈME; ELLE DOIT DONC ÊTRE EXCLUSIVEMENT EFFECTUÉE PAR UN PERSONNEL D'ENTRETIEN QUALIFIÉ. LES PIÈCES DE RECHANGE D'UN ASPIRATEUR D'ATELIER SEC ET HUMIDE À DOUBLE ISOLATION DOIVENT ÊTRE IDENTIQUES AUX PIÈCES REMPLACÉES. VOTRE ASPIRATEUR D'ATELIER SEC ET HUMIDE À DOUBLE ISOLATION PORTE LA MENTION « DOUBLE ISOLATION », ET LE SYMBOLE  (CARRÉ DANS UN CARRÉ) PEUT ÉGALEMENT ÊTRE GRAVÉ SUR L'APPAREIL.




CORDONS PROLONGATEURS

Lors de l'utilisation d'un cordon prolongateur avec votre Aspirateur D'Atelier Sec Et Humide, veuillez consulter le tableau suivant afin de déterminer le calibre du câble A.W.G. requis. Avant d'utiliser l'aspirateur, assurez-vous que le cordon d'alimentation et le cordon prolongateur sont en bon état de fonctionnement. Effectuez toute réparation ou tout remplacement avant d'utiliser l'aspirateur. Utilisez exclusivement des cordons prolongateurs conçus pour une utilisation à l'extérieur.

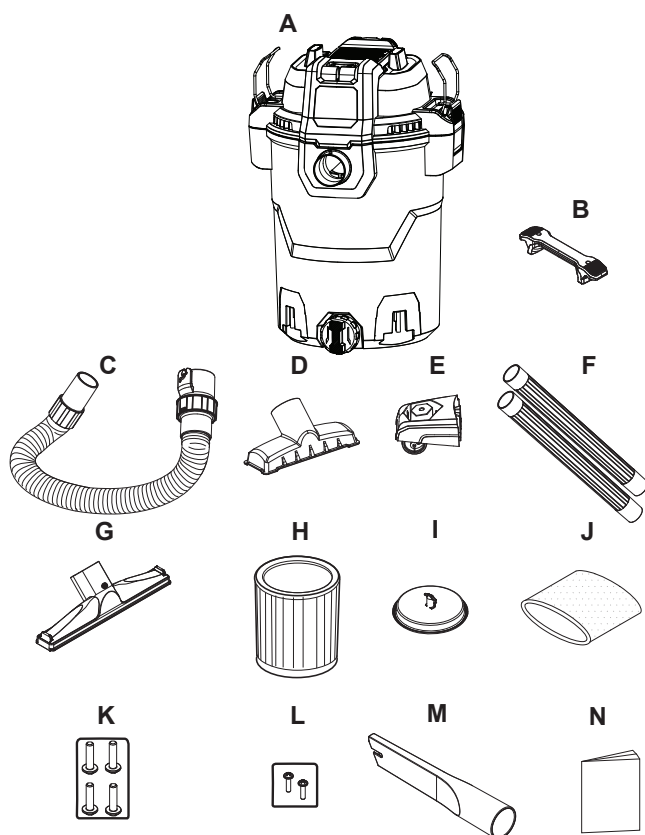
		Longueur du cordon prolongateur			
120V		25 pieds (7,62 m)	50 pieds (15,24 m)	100 pieds (30,48 m)	150 pieds (45,72 m)
Ampérage		A.W.G. Calibre du câble			
Plus de	Pas plus de				
0	6	18	16	16	14
6	10	18	16	14	12
10	12	16	16	14	12
12	16	14	12	Déconseillé	

SYMBOLES

Les termes de mise en garde suivants et leur signification visent à expliquer le degré de risque associé à cet appareil.

SYMBOLE	SIGNAL	SIGNIFICATION
	DANGER	Indique une situation de danger immédiat qui, si elle n'est pas évitée, provoquera des blessures graves, voire la mort.
	AVERTISSEMENT	Indique une situation de danger potentiel qui, si elle n'est pas évitée, peut provoquer des blessures graves, voire la mort.
	ATTENTION	Indique une situation de danger potentiel qui, si elle n'est pas évitée, pourrait provoquer des blessures mineures ou modérées.
	REMARQUE	(Sans symbole d'alerte de sécurité) Indique une situation pouvant entraîner des dommages matériels.

DESEMPAQUE Y REVISIÓN DEL CONTENIDO DE LA CAJA

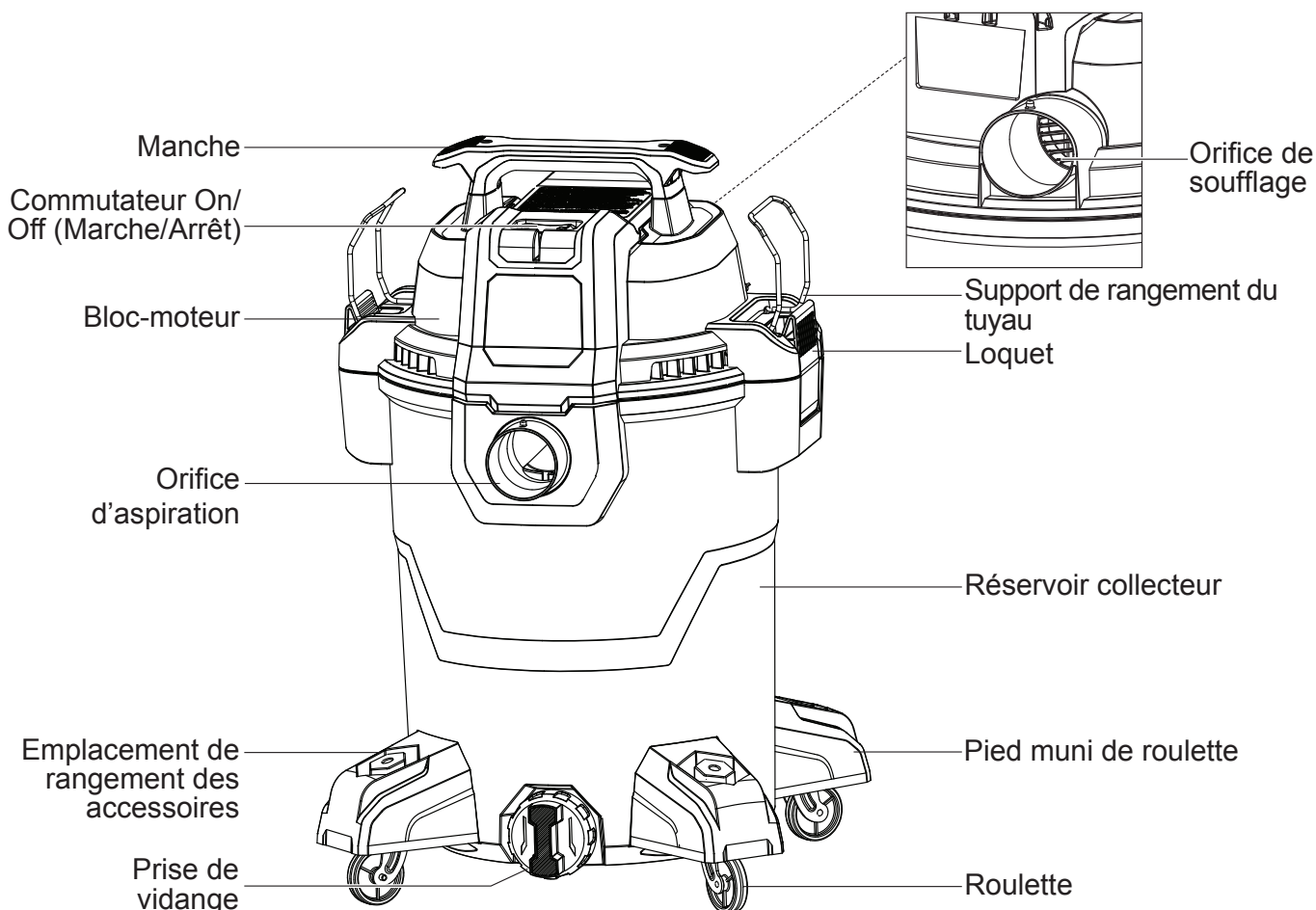


Retirez tout le contenu de la boîte. Retirez le bloc-moteur, puis videz tout le contenu du réservoir collecteur. Assurez-vous que tous les éléments qui figurent sur la liste du contenu de la boîte en carton sont bien présents.

Liste du Contenu de la Boîte en Carton :

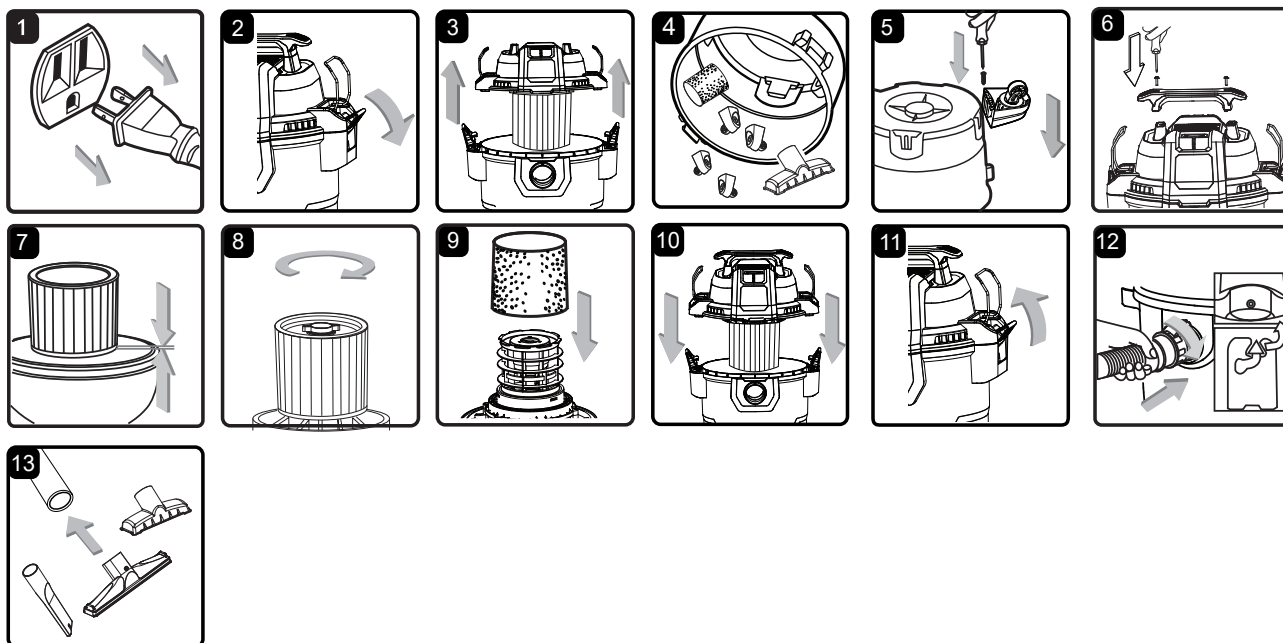
Clé	Description	Qté.
A	Ensemble Aspirateur	1
B	Manche	1
C	Tuyau	1
D	Suceur à usages multiples	1
E	Ensemble de pieds munis de roulettes	4
F	Tube de Rallonge	2
G	Suceur Pour Planchers	1
H	Filtre à cartouche	1
I	Porte-filtre	1
J	Filtre en mousse pour déchets humides	1
K	4 Vis (Sac)	1
L	2 Vis (Sac/pour le manche)	1
M	Suceur Plat	1
N	Manuel d'utilisation	1

REMARQUE : Diamètre du tuyau et des accessoires de cet aspirateur : 1-7/8 po (47.6 mm).



INSTRUCTIONS RELATIVES AU MONTAGE GÉNÉRAL

Un tournevis Phillips est nécessaire. 




⚠ AVERTISSEMENT : NE PAS BRANCHER LE CORDON D'ALIMENTATION À UNE PRISE DE COURANT. ASSUREZ-VOUS QUE LA FICHE EST DÉBRANCHÉE AVANT DE MONTER L'ASPIRATEUR D'ATELIER SEC ET HUMIDE. AFIN DE RÉDUIRE TOUTS RISQUES D'ÉLECTROCUTION, NE PAS EXPOSER CE PRODUIT À LA PLUIE.

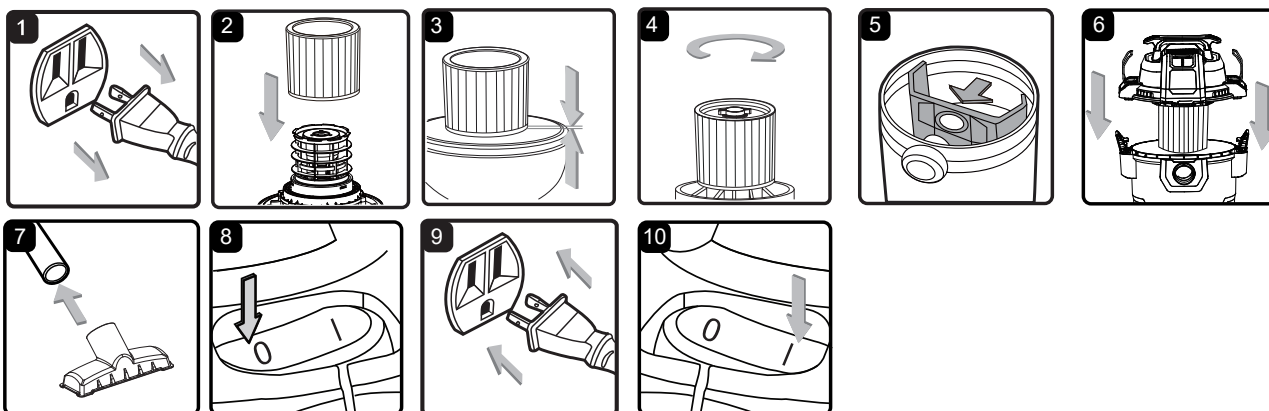
DÉBALLAGE DE VOTRE ASPIRATEUR D'ATELIER SEC ET HUMIDE ET MONTAGE GÉNÉRAL

1. Assurez-vous que le cordon d'alimentation est débranché de la prise de courant (Illustration 1).
2. Dégagez les loquets (Illustration 2).
3. Soulevez le bloc-moteur pour le détacher du réservoir collecteur (Illustration 3).
4. Retirez le contenu de l'intérieur du réservoir collecteur. Assurez-vous que vous disposez de tout le contenu énuméré en page 8 (Illustration 4).
5. Retournez le réservoir collecteur et insérez les quatre roulettes dans les fentes prévues à cet effet sur le réservoir collecteur, puis serrez-les à l'aide des vis fournies. Veillez à monter correctement les pieds des roulettes. Ne pas serrer les vis excessivement (Illustration 5).
6. Insérez le manche dans les fentes situées dans la partie supérieure du bloc-moteur, puis fixez-le à l'aide des vis fournies. Ne pas serrer excessivement les vis (Illustration 6).
7. Votre aspirateur est livré prêt pour l'aspiration de matériaux secs. Si le filtre à cartouche n'est pas installé, reportez-vous à la page 16 pour trouver les instructions d'installation (Illustrations 7 et 8).
8. Pour l'aspiration de matériaux humides, retirez le filtre à cartouche, puis installez le filtre en mousse pour matériaux humides fourni. Voir page 17 pour les instructions d'installation du filtre en mousse pour matériaux humides (Illustration 9).
9. Remplacez le bloc-moteur sur le réservoir collecteur, puis fixez-la en place à l'aide des loquets (Illustrations 10 et 11).
10. Insérez la plus grande extrémité du tuyau dans l'orifice d'aspiration situé sur le réservoir collecteur, puis verrouillez-la en place (Illustration 12).
11. Choisissez l'accessoire souhaité, puis insérez-le à l'extrémité libre du tuyau ou du tube-rallonge (Illustration 13).


FICHE POLARISÉE

Pour réduire tous risques d'électrocution, cet appareil est équipé d'une fiche polarisée (une lame est plus large que l'autre). Il n'y a qu'une façon d'insérer la fiche dans une prise polarisée. Si la fiche ne s'insère pas entièrement dans la prise, inversez la fiche. Si elle ne s'insère toujours pas correctement, contactez un électricien qualifié afin qu'il installe une prise adaptée. Ne modifiez en aucun cas la fiche. La double isolation  élimine le besoin d'un cordon d'alimentation à trois fils avec mise à la terre et d'un système d'alimentation avec mise à la terre.


UTILISATION DE L'ASPIRATEUR D'ATELIER SEC



ASPIRATION DE POUSSIÈRES

 **AVERTISSEMENT : VEILLEZ À LIRE, À ASSIMILER ET À METTRE EN APPLICATION LES CONSIGNES INTITULÉES « CONSIGNES IMPORTANTES DE SÉCURITÉ ». NE PAS UTILISER L'ASPIRATEUR DANS DES ZONES OÙ L'AIR CONTIENT DES GAZ ET VAPEURS INFLAMMABLES OU DES POUSSIÈRES EXPLOSIVES. LES GAZ OU VAPEURS INFLAMMABLES COMPRENNENT, SANS POUR AUTANT S'Y LIMITER : L'ESSENCE POUR BRIQUETS, LES PRODUITS DE NETTOYAGE DE TYPE SOLVANTS, LA PEINTURE À L'HUILE, L'ESSENCE, L'ALCOOL OU LES SPRAYS AÉROSOLS. LES POUSSIÈRES EXPLOSIVES COMPRENNENT, SANS POUR AUTANT S'Y LIMITER : LE CHARBON, LE MAGNÉSIUM, LES GRAINS OU LA POUDRE À CANON. AFIN DE RÉDUIRE LES RISQUES POUR LA SANTÉ PROVENANT DES VAPEURS OU POUSSIÈRES, N'ASPIREZ PAS DE MATIÈRES TOXIQUES.**

 **AVERTISSEMENT : NE PAS BRANCHER LE CORDON D'ALIMENTATION À UNE PRISE DE COURANT. ASSUREZ-VOUS QUE LA FICHE EST DÉBRANCHÉE AVANT DE REMPLACER LES FILTRES.**

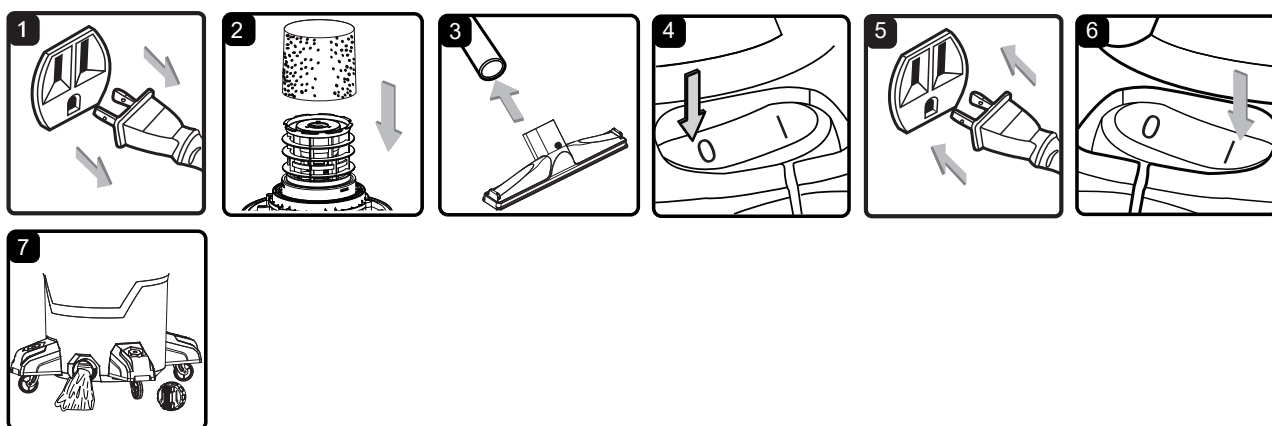
 **ATTENTION : NE PAS ASPIRER DE LA POUSSIÈRE DE PLACOPLÂTRE, DE LA SUIE OU DES CENDRES DE CHEMINÉE À L'AIDE D'UN FILTRE POUR MATÉRIAUX HUMIDES/À POUSSIÈRE ORDINAIRES. CES POUSSIÈRES SONT TRÈS FINES ET NE SERONT PAS RETENUES PAR LE FILTRE, CE QUI POURRAIT ENTRAÎNER DES DOMMAGES DU MOTEUR. POUR L'ASPIRATION DE POUSSIÈRES FINES, UTILISEZ UN FILTRE À POUSSIÈRES FINES (VENDU SÉPARÉMENT).**

1. Assurez-vous que le cordon d'alimentation est débranché de la prise de courant (Illustration 1).
2. Afin de préparer votre aspirateur pour aspiration de poussières, assurez-vous que le filtre à cartouche recouvre entièrement le logement du filtre contre le bloc-moteur. Votre aspirateur d'atelier sec et humide est livré avec le filtre à cartouche préinstallé. Pour les instructions relatives à l'installation, veuillez consulter la page 16 (Illustrations 2 et 3).
3. Placez le support de filtre au-dessus du filtre à cartouche, puis serrez-le en tournant la poignée du support dans le sens des aiguilles d'une montre (Illustration 4).
4. En option : Pour améliorer la filtration des poussières, montez la bride du sac de récupération de poussières sur l'orifice d'entrée, en veillant à ne pas endommager le sac (Illustration 5). Sac de collecte de poussière vendu séparément.
5. Remplacez le bloc-moteur sur le réservoir collecteur, puis fixez-la en place à l'aide des loquets (Illustration 6).
6. Insérez la plus grande extrémité du tuyau dans l'orifice d'aspiration situé sur le réservoir collecteur, puis verrouillez-la en place.
7. Enfoncez l'accessoire requis sur l'extrémité libre du tuyau ou du tube-rallonge (Illustration 7).
8. Assurez-vous que le commutateur On/Off (Marche/Arrêt) est positionné sur « O » OFF (Arrêt) avant de brancher le cordon d'alimentation à la prise de courant. Branchez le cordon d'alimentation à la prise de courant (Illustrations 8 et 9).
9. Mettez le moteur en marche en positionnant d'une pichenette le commutateur sur « I » ON (Marche) (Illustration 10).
10. Au terme de l'aspiration, positionnez d'une pichenette le commutateur On/Off (Marche/Arrêt) sur « O » (OFF [Arrêt]), puis débranchez le cordon d'alimentation de la prise de courant.

O = OFF (Arrêt) I = ON (Marche)

**NE PAS UTILISER LE FILTRE À CARTOUCHE POUR L'ASPIRATION DE LIQUIDES.
NE PAS UTILISER LE SAC À POUSSIÈRE POUR ASPIRER DES LIQUIDES.**

ASPIRATION DE LIQUIDES



ASPIRATION DE LIQUIDES



AVERTISSEMENT : VEILLEZ À LIRE, À ASSIMILER ET À METTRE EN APPLICATION LES CONSIGNES INTITULÉES « CONSIGNES IMPORTANTES DE SÉCURITÉ ». NE PAS UTILISER L'ASPIRATEUR DANS DES ZONES OÙ L'AIR CONTIENT DES GAZ ET VAPEURS INFLAMMABLES OU DES POUSSIÈRES EXPLOSIVES. LES GAZ OU VAPEURS INFLAMMABLES COMPRENNENT, SANS POUR AUTANT S'Y LIMITER : L'ESSENCE POUR BRIQUETS, LES PRODUITS DE NETTOYAGE DE TYPE SOLVANTS, LA PEINTURE À L'HUILE, L'ESSENCE, L'ALCOOL OU LES SPRAYS AÉROSOLS. LES POUSSIÈRES EXPLOSIVES COMPRENNENT, SANS POUR AUTANT S'Y LIMITER : LE CHARBON, LE MAGNÉSIUM, LES GRAINS OU LA POUDRE À CANON. AFIN DE RÉDUIRE LES RISQUES POUR LA SANTÉ PROVENANT DES VAPEURS OU POUSSIÈRES, N'ASPIREZ PAS DE MATIÈRES TOXIQUES.



AVERTISSEMENT : NE PAS BRANCHER LE CORDON D'ALIMENTATION À LA PRISE DE COURANT. ASSUREZ-VOUS QUE LA FICHE EST DÉBRANCHÉE AVANT DE REMPLACER LES FILTRES.

1. Assurez-vous que le cordon d'alimentation est débranché de la prise de courant. Assurez-vous que le réservoir collecteur est propre et exempt de poussières et de saletés (Illustration 1).
2. Retirez le filtre à cartouche, puis installez avec précaution le filtre en mousse pour matériaux humides au-dessus du logement du filtre. Ensuite, replacez le bloc-moteur sur le réservoir collecteur. Pour les instructions relatives à l'installation du filtre en mousse pour matériaux humides, voir page 17 (Illustration 2).

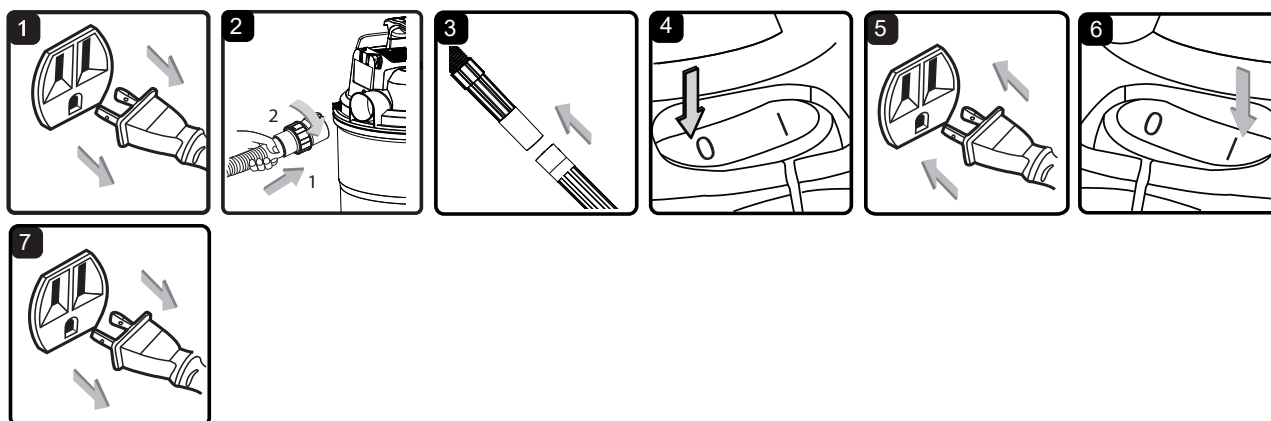
NE PAS UTILISER LE FILTRE À CARTOUCHE POUR L'ASPIRATION DE LIQUIDES.

3. Enfoncez l'accessoire requis sur l'extrémité libre du tuyau ou du tube-rallonge (Illustration 3).
4. Assurez-vous que le commutateur est positionné sur « O » (OFF [Arrêt]) avant de brancher le cordon d'alimentation à la prise de courant. Branchez le cordon d'alimentation à la prise de courant (Illustrations 4 et 5).
5. Mettez l'aspirateur en marche en positionnant le commutateur sur « I » (Marche), puis commencez à aspirer (Illustration 6).
6. Lorsque vous avez fini de passer l'aspirateur, positionnez le commutateur sur « O » OFF (Arrêt), puis débranchez le cordon d'alimentation de la prise de courant.
7. Après utilisation, videz le réservoir collecteur en dévissant le bouchon de vidange. Videz les liquides dans un récipient ou dans un système d'évacuation approprié. N'oubliez pas de remettre le bouchon de vidange sur le réservoir collecteur (Illustration 7).

IMPORTANT! Lors de l'aspiration d'importantes quantités de liquides, ne pas plonger le suceur entièrement dans le liquide. Laissez un espace au bout de l'ouverture du suceur afin de permettre l'entrée d'air. L'appareil dispose d'une vanne à flotteur qui arrête l'aspiration lorsque le réservoir collecteur atteint sa capacité maximale. Vous remarquerez une accélération de la vitesse du moteur. Dans ce cas, mettez hors tension la machine, débranchez-la de la source d'alimentation électrique, puis videz le liquide dans un récipient ou un système d'évacuation approprié. Pour continuer à passer l'aspirateur, remontez le réservoir collecteur avec le bouchon de vidange en place. Après l'aspiration de matériaux humides, éteignez l'appareil puis retirez la fiche de la source d'alimentation. Videz le réservoir collecteur, nettoyez et séchez l'intérieur et l'extérieur avant de ranger l'aspirateur.

NE PAS OUBLIER! Vous devez retirer le filtre en mousse pour déchets humides après aspiration de déchets humides. Ensuite, installez un filtre à cartouche avant de procéder à nouveau à l'aspiration de déchets secs.

UTILISATION DU SOUFFLEUR



Cet Aspirateur D'Atelier Sec Et Humide est doté de capacités de soufflage. Pour utiliser la fonction souffleur, veuillez respecter les instructions énumérées ci-après.

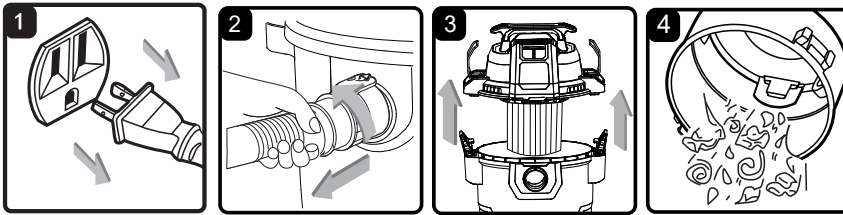
⚠ AVERTISSEMENT : TOUJOURS PORTER DES LUNETTES DE PROTECTION CONFORMES À LA NORME ANSI Z87.1 (OU AU CANADA, CSAZ94.3) AVANT D'UTILISER LE SOUFFLEUR.

⚠ ATTENTION : VEILLEZ À CE QUE LES DÉBRIS NE SOIENT PAS SOUFLÉS VERS LES PERSONNES SE TROUVANT À PROXIMITÉ.

⚠ AVERTISSEMENT : PORTEZ UN MASQUE ANTI-POUSSIÈRES SI LE SOUFLAGE CRÉE DES POUSSIÈRES SUSCEPTIBLES D'ÊTRE INHALÉES.

1. Assurez-vous que le cordon d'alimentation est débranché de la prise de courant (Illustration 1).
2. Assurez-vous que le réservoir collecteur est vide avant d'utiliser l'aspirateur en guise de souffleur. Retirez toutes les poussières ou tous les débris du réservoir collecteur et du tuyau.
3. Retirez le tuyau de l'orifice d'aspiration.
4. Insérez la plus grande extrémité du tuyau dans l'orifice du souffleur au dos du bloc-moteur, puis verrouillez-la en place (Illustration 2).
5. Fixez l'accessoire souhaité sur le tuyau ou la rallonge (Illustration 3).
6. Assurez-vous que le commutateur On/Off (Marche/Arrêt) est positionné sur « O » OFF (Arrêt) avant de brancher le cordon d'alimentation à la prise de courant. Branchez le cordon d'alimentation à la prise de courant (Illustrations 4 et 5).
7. Avant de mettre l'aspirateur en marche (ON), tenez fermement l'extrémité libre du tuyau. Mettez le moteur en marche en positionnant d'une pichenette le commutateur sur « I » ON (Marche) (Illustration 6).
8. Au terme du soufflage, positionnez d'une pichenette le commutateur On/Off (Marche/Arrêt) sur « O » (OFF [Arrêt]), puis débranchez le cordon d'alimentation de la prise de courant. (Illustration 7).

ENTRETIEN



VIDANGE DU RÉSERVOIR COLLECTEUR



AVERTISSEMENT : DÉBRANCHEZ TOUJOURS LA FICHE DE LA PRISE DE COURANT AVANT DE RETIRER LE BLOC-MOTEUR DU RÉSERVOIR COLLECTEUR.

1. Assurez-vous que le cordon d'alimentation est débranché de la prise de courant (Illustration 1).
2. Détachez le tuyau de l'aspirateur (Illustration 2).
3. Desserrez les loquets, puis retirez le bloc-moteur du réservoir collecteur (Illustration 3). Placez la brosse à moteur à l'envers sur une surface souple et propre.
4. Éliminez toutes les saletés ou tous les débris du réservoir collecteur et du tuyau dans un contenant à déchets approprié (Illustration 4).
5. Nettoyez ou remplacez les filtres.
6. Contrôlez le tuyau, les accessoires et le cordon d'alimentation afin de vous assurer qu'ils ne sont pas endommagés.
7. Remplacez le bloc-moteur sur le réservoir collecteur, puis fixez les loquets.

IMPORTANT! Nettoyez ou remplacez le filtre à cartouche régulièrement afin d'en obtenir des performances optimales. **UTILISEZ TOUJOURS LE FILTRE À CARTOUCHE POUR EFFECTUER TOUTE ASPIRATION DE POUSSIÈRES.** En cas d'utilisation de la machine sans le filtre à cartouche, cela peut entraîner la surchauffe du moteur et la perte du droit à la garantie. Gardez toujours à portée de main des filtres à cartouche de rechange.

REMARQUE! Les filtres fournis ont été conçus avec du matériel de haute qualité destiné à bloquer les petites particules de poussière. Le filtre à cartouche doit être utilisé exclusivement pour l'aspiration de poussières. Un filtre à cartouche pour poussières est requis pour l'aspiration de poussières. Si le filtre à cartouche est humide, il se bouchera rapidement et sera difficile à nettoyer. Manipulez le filtre avec précaution lorsque vous le retirez pour le nettoyer ou le remplacer. Vérifiez l'état des filtres afin de détecter des signes d'usure ou de petits trous éventuels. Un petit trou peut laisser passer la poussière à travers le filtre. N'utilisez pas de filtre troué ou déchiré, remplacez-le immédiatement.

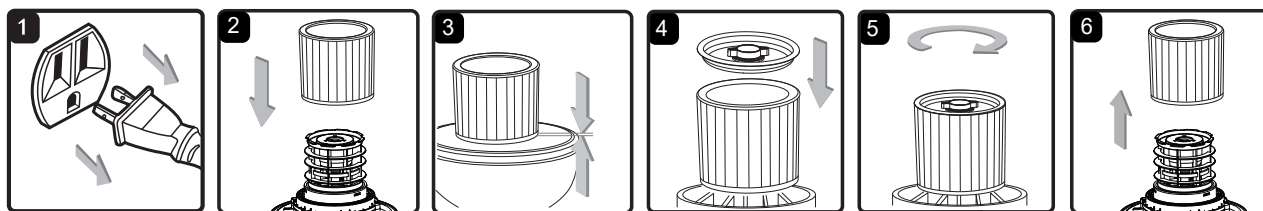
RANGEMENT

Avant de ranger votre aspirateur, le réservoir collecteur doit être vidé et nettoyé. Les accessoires doivent être nettoyés et rangés afin d'être facilement disponibles en cas de besoin. Rangez l'aspirateur d'atelier sec et humide à l'intérieur.

RÉPARATIONS

Les réparations de cet aspirateur d'atelier sec et humide doivent être effectuées exclusivement par du personnel de service qualifié à l'aide exclusivement de pièces de rechange identiques aux pièces d'origine.

INSTALLATION ET NETTOYAGE DU FILTRE À CARTOUCHE



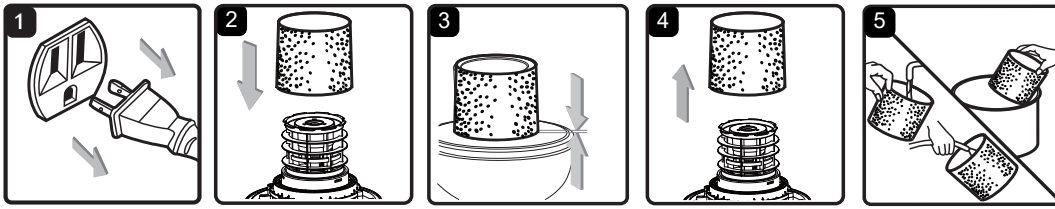
INSTALLATION DU FILTRE À CARTOUCHE

1. Assurez-vous que le cordon d'alimentation est débranché de la prise de courant (Illustration 1).
2. Retirez le bloc-moteur, puis placez-le à l'envers.
3. Installez le filtre à cartouche au-dessus du logement du filtre en vous assurant que le logement est entièrement recouvert (Illustrations 2 et 3).
4. Placez le support du filtre au-dessus du filtre à cartouche, par-dessus la lèvre surélevée, puis serrez-le en le tournant dans le sens des aiguilles d'une montre; ne pas serrer excessivement (Illustrations 4 et 5).
5. Remplacez le bloc-moteur sur le réservoir collecteur.

RETRAIT ET NETTOYAGE DU FILTRE À CARTOUCHE

1. Déverrouillez, puis retirez le support du filtre en tournant la poignée du support dans le sens inverse des aiguilles d'une montre.
2. Avec le bloc-moteur retiré et renversé, retirez avec précaution le filtre à cartouche du logement du filtre (Illustration 6).
3. Nettoyez le filtre à cartouche en le tapant doucement ou en éliminant la poussière à l'aide d'une brosse. Le nettoyage ne doit pas être effectué à l'intérieur dans des pièces d'habitation. Un nouveau filtre est recommandé pour une performance optimale.
4. Installez le filtre nettoyé ou neuf comme indiqué ci-dessus aux étapes 2 à 4 de la section « Installation du filtre à cartouche ».
5. Laissez sécher à l'air libre le filtre pendant 24 heures avant de l'installer au-dessus du logement du filtre.

INSTALLATION ET NETTOYAGE DU FILTRE EN MOUSSE POUR MATÉRIAUX HUMIDES



INSTALLATION DU FILTRE EN MOUSSE POUR MATÉRIAUX HUMIDES

1. Assurez-vous que le cordon d'alimentation est débranché de la prise de courant (Illustration 1).
2. Retirez le bloc-moteur, puis placez-la à l'envers. Suivez les instructions relatives au retrait du filtre à cartouche en page 16.
3. Faites glisser délicatement le filtre en mousse pour matériaux humides pour le poser au-dessus du logement du filtre en vous assurant que le logement est entièrement recouvert (Illustrations 2 et 3).
4. Placez le bloc-moteur sur le réservoir collecteur.

NETTOYAGE DU FILTRE EN MOUSSE POUR MATÉRIAUX HUMIDES

1. Avec le bloc-moteur retiré et renversé, retirez avec précaution le filtre en mousse pour déchets humides (Illustration 4).
2. Utilisez une solution d'eau et de savon doux pour laver le filtre en mousse pour matériaux humides, puis rincez-le à l'eau propre (Illustration 5).
3. Laissez sécher à l'air libre le filtre pendant 24 heures avant de l'installer au-dessus du logement du filtre.

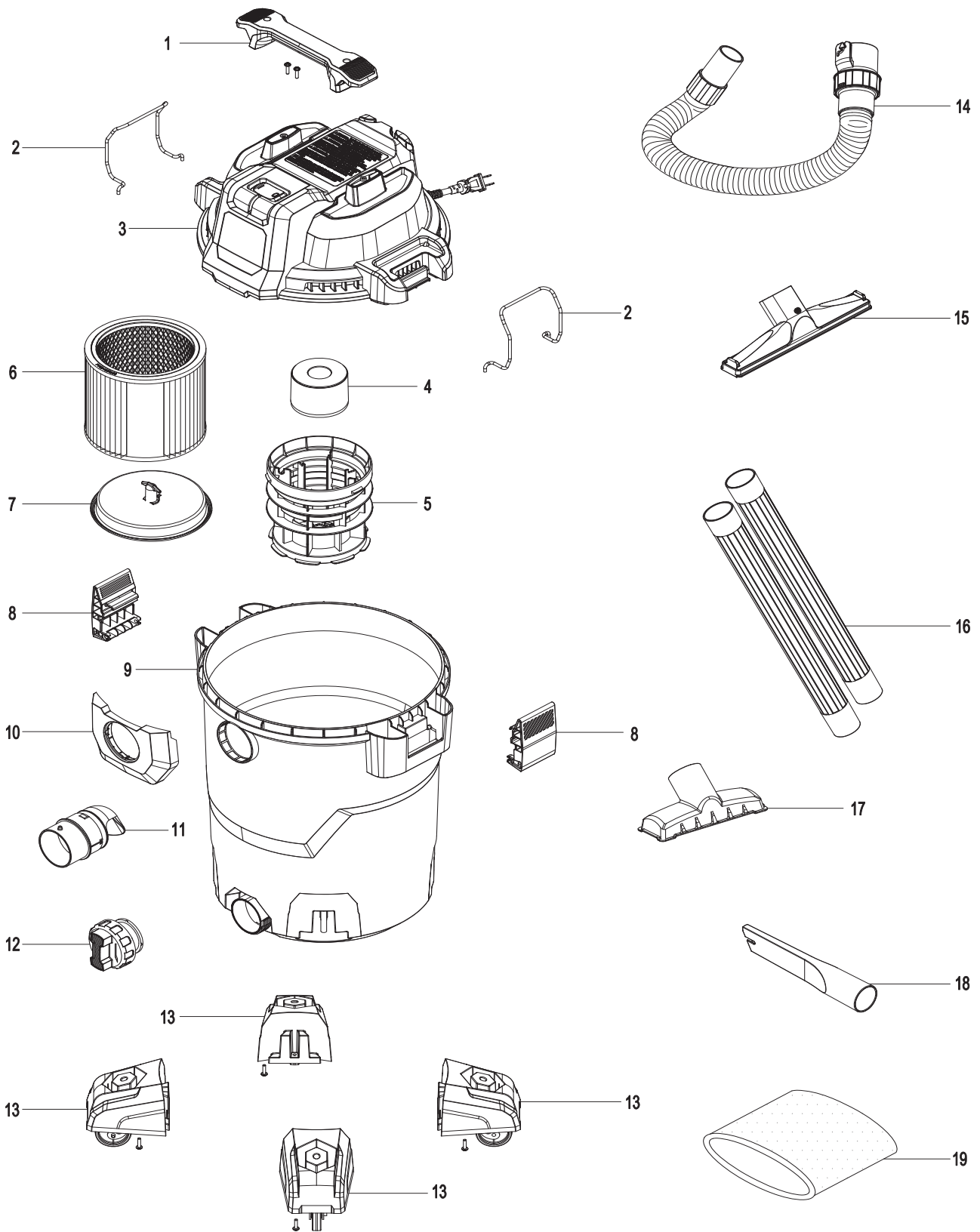
DÉPANNAGE



AVERTISSEMENT : AFIN DE RÉDUIRE TOUS RISQUES D'ÉLECTROCUTION, DÉBRANCHEZ L'APPAREIL AVANT DE PROCÉDER À SON DÉPANNAGE.

PROBLÈME	CAUSE POSSIBLE	SOLUTION
Impossible de faire fonctionner l'aspirateur d'atelier sec et humide.	Absence d'alimentation.	Vérifiez l'état de la source d'alimentation, du cordon, des disjoncteurs, et des fusibles.
	Cordon d'alimentation défectueux.	Débranchez, puis vérifiez l'état du cordon d'alimentation. S'il est endommagé, faites-le réparer par un professionnel.
	Le réservoir collecteur est plein.	Videz le réservoir collecteur.
	Le commutateur n'est pas correctement positionné.	Appuyez sur la touche « I » On (Marche) située sur le bloc-moteur.
De la poussière s'échappe par le couvercle du moteur.	Absence ou détérioration du filtre à cartouche.	Fixez ou remplacez le filtre à cartouche.
	L'aspirateur a été utilisé pour capter des poussières fines, notamment la poussière de placoplâtre, la suie de cheminée ou les cendres, sans filtre à poussière fine équipé.	Retirez le filtre à cartouche standard, puis installez le filtre à cartouche à poussières fines approprié (vendu séparément).
	Utilisation incorrecte du filtre en mousse lors d'aspiration de déchets secs.	Remplacez le filtre en mousse pour déchets humides par le filtre à cartouche.
Efficacité réduite et vibrations du moteur/ en vitesse.	Présence d'obstructions dans le suceur ou dans le tuyau ou dans l'entrée du réservoir collecteur.	Débranchez et assurez-vous que les entrées du suceur, du tuyau et du réservoir collecteur ne sont pas bouchées.
	Le filtre à cartouche est obstrué par des poussières fines.	Retirez le filtre, puis nettoyez-le ou installez un filtre à cartouche neuf.
	Le flotteur est en position haute.	Videz le réservoir collecteur de tous les déchets liquides, puis assurez-vous que la valve à flotteur située sous le filtre peut bouger sans entraves.

VUE ÉCLATÉE



LISTE DES PIÈCES

Pièce	Numéro de la partie	Description	Quantité
1	551930101	Ensemble poignée	1
2	551676101	Support de rangement	2
3		Ensemble Bloc-Moteur	1
4	551005103	Flotteur	1
5	551437105	Logement de filtre	1
6	551030114	Filtre à cartouche	1
7	551437107	Porte-filtre	1
8	551674104	Loquet	2
9		Réservoir collecteur	1
10	551676104	Panneau de prise d'aspiration	1
11	551676105	Orifice d'aspiration	1
12	551674107	Ensemble du bouchon de vidange	1
13	551676106	Ensemble de pieds munis de roulettes	4
14	551676107	Tuyau	1
15	551011110	Suceur pour planchers	1
16	551264103	Tube de Rallonge	2
17	551011109	Utility Nozzle	1
18	551109125	Suceur Plat	1
19	551002118	Filtre en Mousse pour Déchets Humides	1