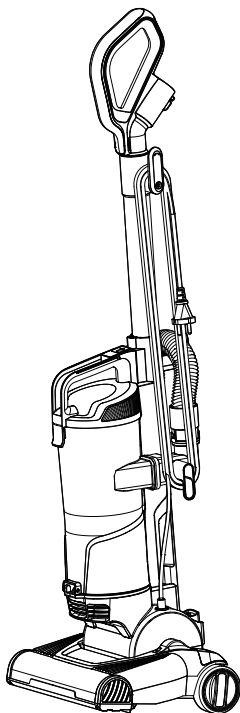




RESPIRA™

Use & Care Guide
Manuel D'entretien Et D'utilisation
Manual de Uso Y Cuidado



Bagless Upright Vacuum Cleaner / Aspirateur Vertical
Sans Sac / Aspiradora de Pie Sin Bolsa

Model No / Référence de Modèle / N° de Modelo.

UC0501

www.amazon.com

Distributed By / Distribué Par / Distribuido Por:
Suzhou Cleva Electric Appliance Co., Ltd.

No.8 Ting Rong Street
Suzhou Industrial Park, Suzhou
Jiangsu Province, China

Made in China



TABLE OF CONTENTS

SECTION	PAGE
Important Safety Instructions.....	3
Warranty.....	4
Technical Data.....	4
Getting To Know Your Vacuum.....	5
General Assembly Instructions.....	7
Operating Instructions.....	10
Maintaining Your Vacuum.....	16
Troubleshooting.....	27

Thank you for purchasing this Vacmaster® vacuum cleaner. With it you are obtaining a high-quality product that is engineered for optimal performance.

FOR YOUR SAFETY

Read and understand this manual before use.

Keep this manual and your sales check (receipt) in a safe place for future reference.

IMPORTANT SAFETY INSTRUCTIONS

When using an electrical appliance, basic precautions should always be followed, including the following:

READ ALL INSTRUCTIONS BEFORE USING THIS VACUUM CLEANER

Failure to follow the warnings and instructions may result in electric shock, fire and/or serious injury.



WARNING - To reduce the risk of fire, electric shock, or injury:

- Do not leave appliance when plugged in. Unplug from outlet when not in use and before servicing.
- Do not use outdoors or on wet surfaces.
- Do not allow to be used as a toy. Close attention is necessary when used by or near children.
- Use only as described in this manual. Use only manufacturer's recommended attachments.
- Do not use with damaged cord or plug. If appliance is not working as it should, has been dropped, damaged, left outdoors, or dropped into water, contact with customer service.
- Do not pull or carry by cord, use cord as a handle, close a door on cord, or pull cord around sharp edges or corners. Do not run appliance over cord. Keep cord away from heated surfaces.
- Do not unplug by pulling on the cord. To unplug, grasp the plug, not the cord.
- Do not handle plug or appliance with wet hands.
- Do not put any objects into openings. Do not use with any opening blocked; keep free of dust, lint, hair, and anything that may reduce air flow.
- Keep hair, loose clothing, fingers, and all parts of body away from openings and moving parts.
- Turn off all controls before unplugging.
- Use extra care when cleaning on stairs.
- Do not use to pick up flammable or combustible liquids, such as gasoline, or use in areas where they may be present.
- Do not pick up anything that is burning or smoking, such as cigarettes, matches, or hot ashes.
- Do not use without the filter in place.

SAVE THESE INSTRUCTIONS

Household use only

WARRANTY

FOR ONE YEAR from the date of sale, this product is warranted against defects in material or workmanship when it is assembled, operated and maintained according to all supplied instructions.

WITH PROOF OF SALE, a defective appliance will be replaced free of charge. For warranty coverage details to obtain free replacement, visit the web page: www.vacmaster.com or call 1-866-384-8432.

- This warranty does not cover filters or belt, which are expendable parts that can wear out from normal use within the warranty period.
- This warranty is void if this product is ever used for other than private household purposes.
- This warranty gives you specific legal rights, and you may also have other rights which vary from state to state.

TECHNICAL DATA

Bagless Upright Vacuum Cleaner

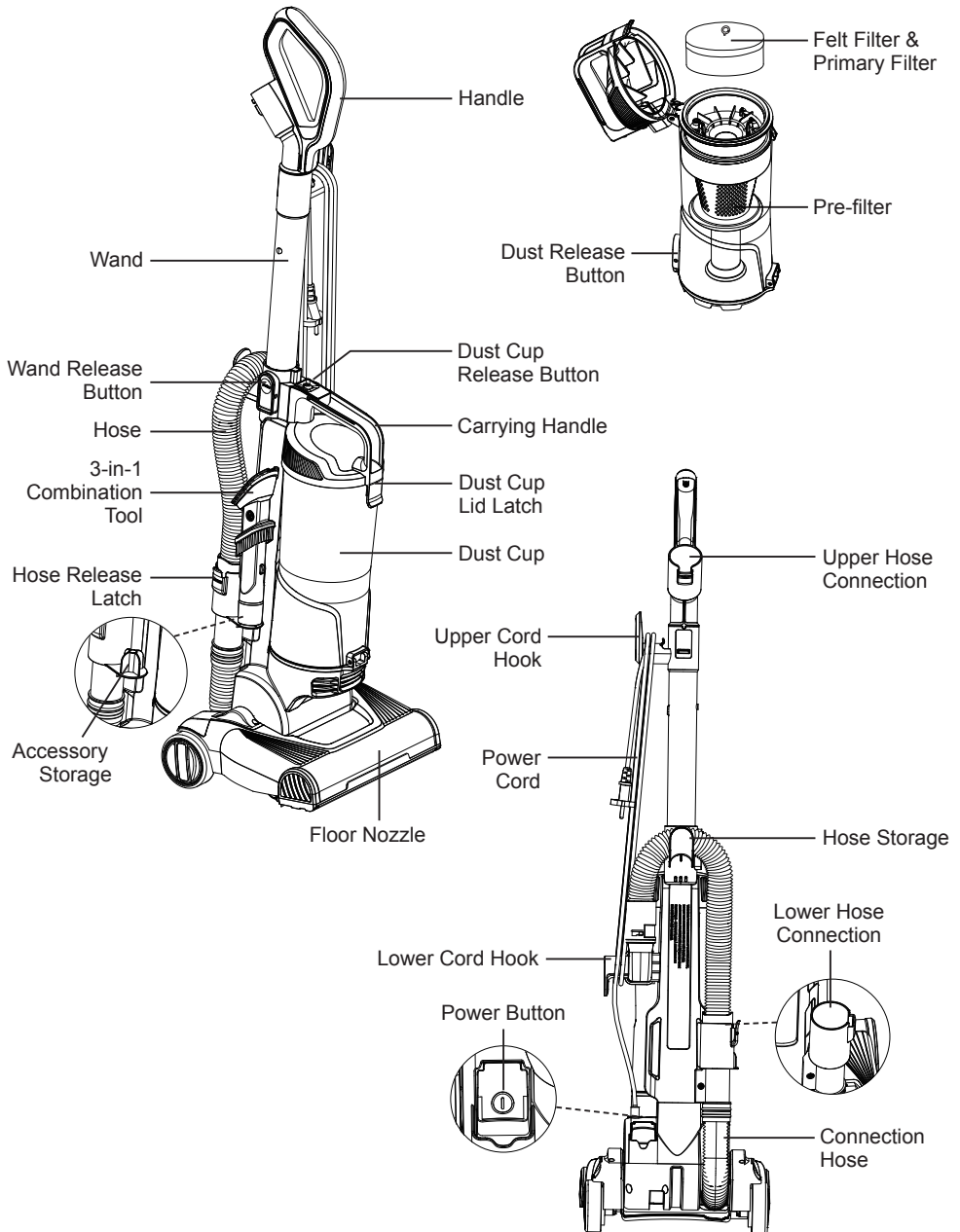
Model: UC0501

Rated Voltage: 120V AC

Rated Frequency: 60Hz

Nominal Current: 7.5A

GETTING TO KNOW YOUR VACUUM



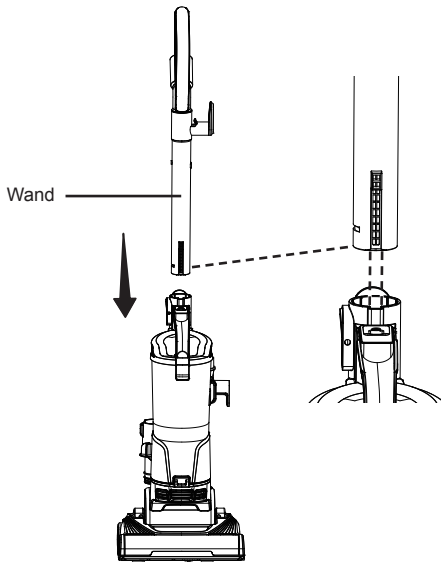
Replacement Parts

Item	Part No.
Felt Filter & Primary Filter	571029102
Foam Filter	571029103
Belt	571029105
Brushroll	571029104
Hose	571029101
3-in-1 Combination Tool	571029106

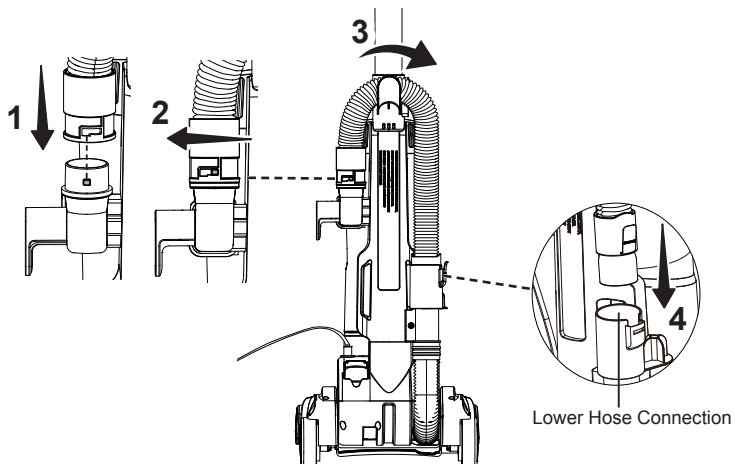
Available online at www.vacmaster.com or call 1-866-384-8432.

GENERAL ASSEMBLY INSTRUCTIONS

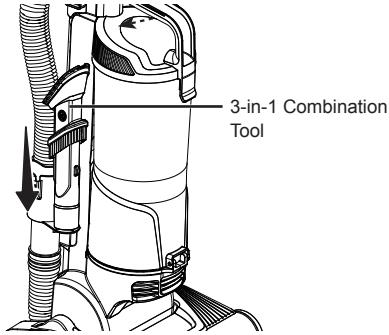
1. Insert the wand into the main body until you hear a 'click'.



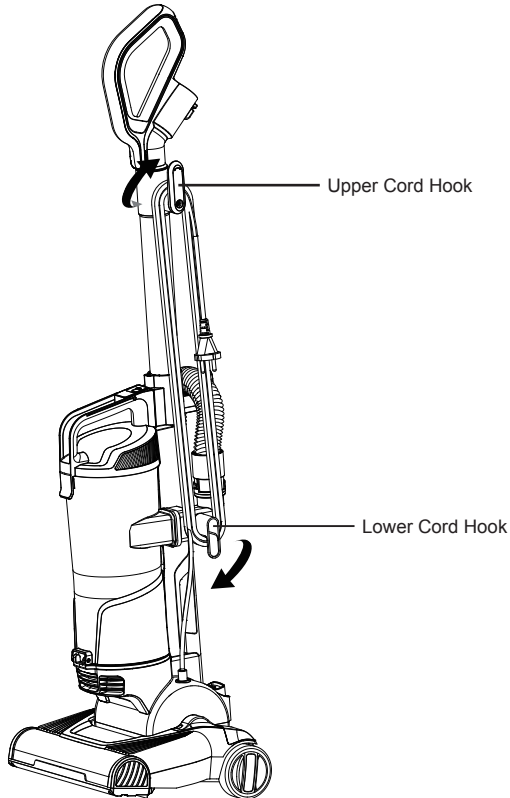
2. Install the hose onto the main body. Align the locking end of the hose with the main body as shown, and lock the end of the hose by rotating to the left. Then run the hose over the hose storage. Insert the other end of the hose into the lower hose connection as shown until you hear a 'click'.



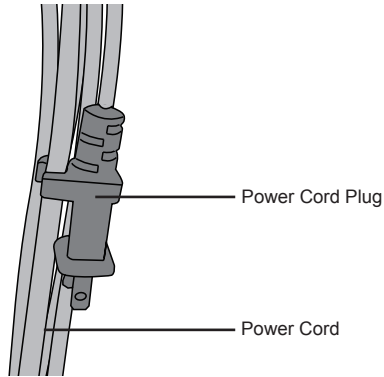
3. Insert the combination tool onto the accessory storage as shown.



4. Make sure the upper cord hook is in the upright position as shown. Wrap the power cord loosely around the upper and lower cord hooks.



5. Lock power cord plug onto the power cord.



! **WARNING**

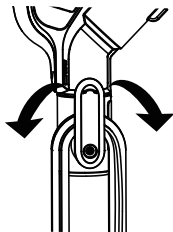
Wrapping the cord too tightly with excessive stress on the cord may cause cord damage. A damaged cord is an electrical shock hazard and could cause personal injury or damage.

OPERATING INSTRUCTIONS

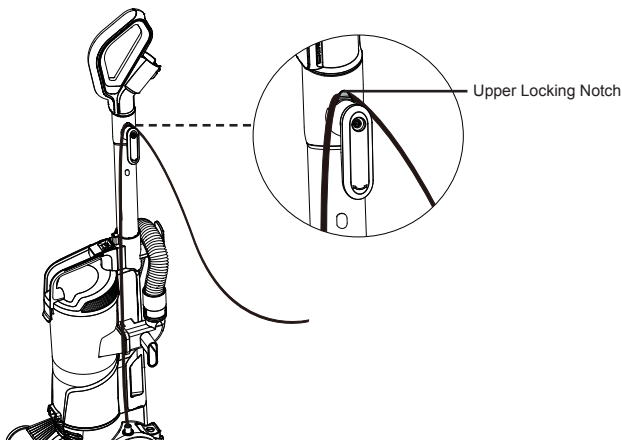
Using Your Upright Vacuum Cleaner

NOTE: Make sure the vacuum cleaner is completely assembled and the dust cup is empty before using. Do not operate vacuum cleaner without filters in place.

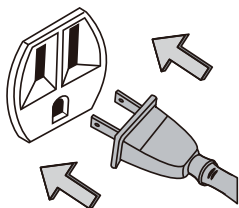
1. Turn the upper cord hook to either side to release the power cord.



2. Detach the power cord plug from the power cord.
3. Be sure the power cord is locked into the upper locking notch as shown. This will help manage the power cord when operating the vacuum cleaner.



4. Plug the power cord into an outlet located near the floor.



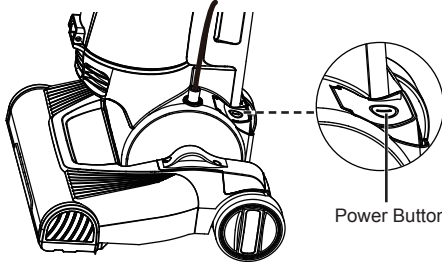
! WARNING

To reduce the risk of electric shock, this appliance has a polarized plug (one blade is wider than the other). This plug will fit in a polarized outlet only one way. If the plug does not fit fully in the outlet, reverse the plug. If it still does not fit, contact a qualified electrician to install the proper outlet. Do not change the plug in any way.

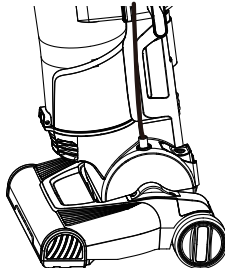
5. Release the handle by placing foot on the floor nozzle and pull back to change the handle position.



6. Press the power button with your foot to turn the vacuum cleaner on.



7. Once you have completed vacuuming, press the power button again. Return the handle to the fully upright position by pushing the handle forward until the vacuum body is locked down in place. Unplug the power cord from the power outlet.



8. To store power cord after use, turn the upper cord hook to the upright position.
Then wrap cord loosely around cord hooks.

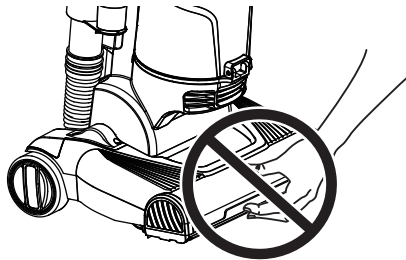
NOTE: Always keep the brushroll free of carpet fiber, string, or hair build-up to maintain a longer life of the brushroll belt. If the brushroll is entangled by any string or hair, stop using and clean the brushroll immediately.

 **CAUTION**

Do not allow the vacuum cleaner to remain in one spot for any length of time when the brushroll is turning. Damage to carpet may occur.

 **CAUTION**

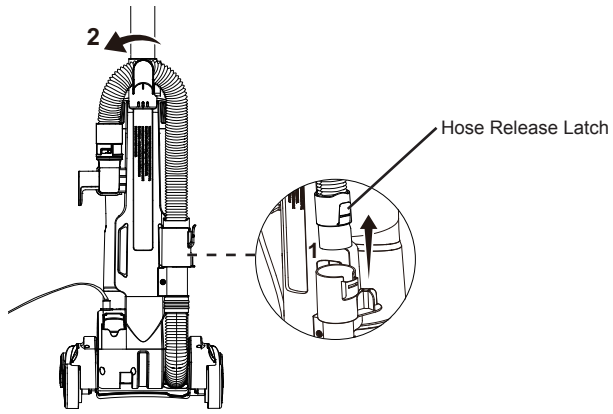
Moving parts! To reduce the risk of personal injury, DO NOT touch the brushroll in the floor nozzle when the vacuum is on. Contacting the brushroll while it is rotating can cause injuries. Disconnect electrical supply before servicing or cleaning the vacuum cleaner. Use caution when operating near children.



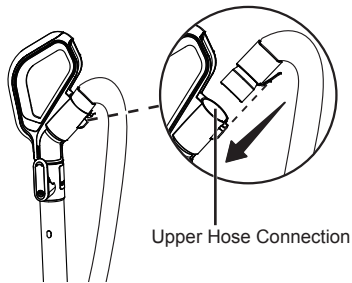
Using Your Vacuum Cleaner with Accessory

NOTE: Brushroll continues to rotate when using the vacuum with accessories. DO NOT place the vacuum on the deep pile carpet to avoid damage to carpet.

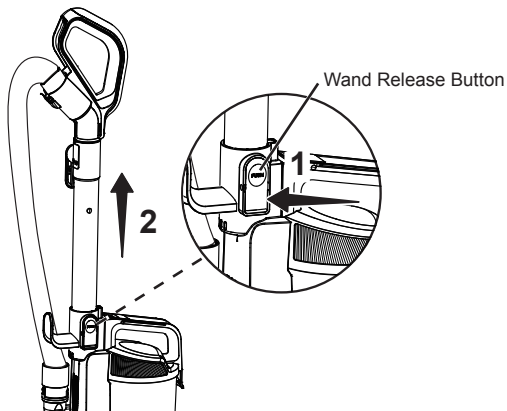
1. Place vacuum cleaner in the upright locked position.
2. Press the hose release latch and release the lower hose end from the lower hose connection.



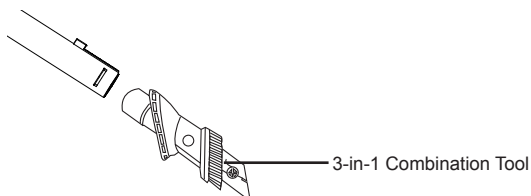
3. Insert the hose end into the upper hose connection as shown until you hear a 'click'.



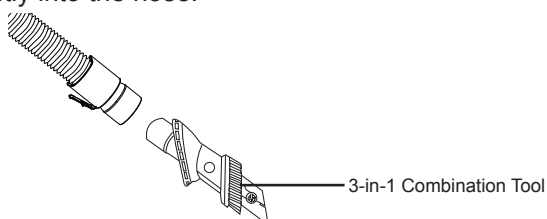
4. Press the wand release button and lift up the wand.



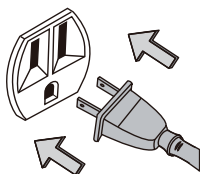
5. Choose the desired accessory and insert into the wand.



NOTE: You can also choose to use your vacuum cleaner by inserting the combination tool directly into the hose.



6. Plug the power cord into an outlet located near the floor.



7. Press the power button to turn the vacuum cleaner on.

8. Once you have completed vacuuming, press the power button again. Remove the accessory and unplug the power cord plug from the outlet.

IMPORTANT: Make sure to re-insert the hose end into the lower hose connection before using the vacuum in upright mode.

! **CAUTION**

When using accessories, be careful not to overextend the hose when reaching to avoid tipping the vacuum over.

! **CAUTION**

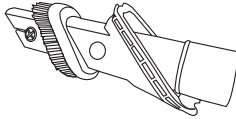
DO NOT pull the vacuum cleaner around the room by the hose. Property damage or personal injury could result.

Accessory

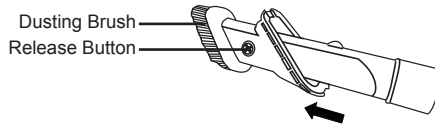
3-in-1 Combination Tool

The 3-in-1 combination tool can be attached to the end of the wand and the hose.

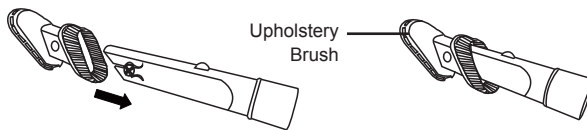
Use the 3-in-1 combination tool in crevice tool mode for cleaning in tight spaces such as furniture, between cushions, and stairs.



Set the combination tool in dusting brush mode by pressing the release button and sliding the dusting brush side of the brush tool to the end of the combination tool. Use in dusting brush mode for cleaning loose surfaces such as drapes.



Press the release button to remove the brush tool. Set the combination tool in upholstery brush mode as shown. Use in upholstery brush mode for cleaning fabric surfaces such as fabric sofa.



To return the combination tool to crevice tool mode, press the release button and slide the brush tool down the combination tool.

NOTE: Always clean accessory before using on fabrics.

Storing your vacuum

1. Ensure the hose is locked into place and the accessory is stored on-board.
2. Gather the cord and wrap it loosely around the upper and lower cord hooks. Lock the power cord plug onto the power cord.
3. Store the vacuum cleaner in a dry, indoor area, on the floor with the handle locked in the upright position.

MAINTAINING YOUR VACUUM

CAUTION

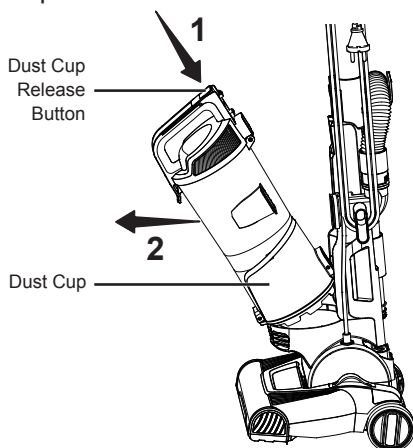
To reduce the risk of shock, turn off and disconnect the power cord before performing any service or maintenance.

NOTE: Use dry cloth to clean the outside of the unit. Do not allow any kind of liquid to enter the unit. Wash the accessory in warm soapy water, rinse and air dry. Do not clean in dishwasher.

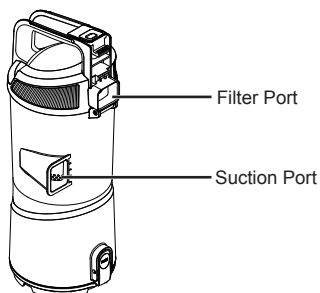
Emptying the Dust Cup

NOTE: For best performance, empty dust cup after every use. Never operate vacuum cleaner without dust cup and filters in place.

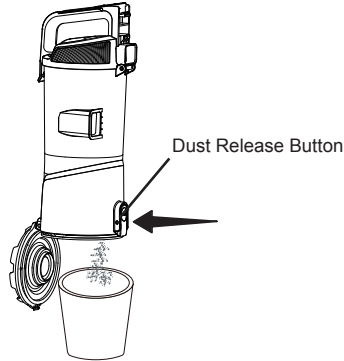
1. Press the dust cup release button to remove the dust cup from the main body.



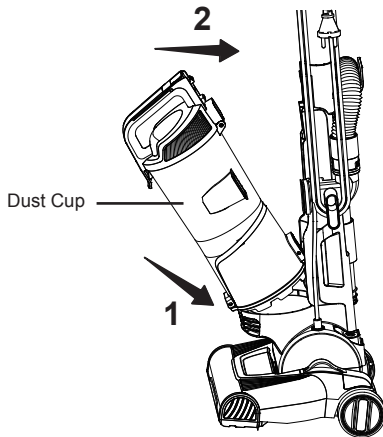
2. Remove any clogs that might be located in the suction port or filter port area.



3. Position dust cup area of vacuum over a waste receptacle. Press down on the dust release button to open dust lid and allow contents to drop into waste receptacle.



4. Shake the dust cup to release any debris that might hang in the pre-filter.
5. Reinstall and insert the dust cup into the slots on the bottom of the main body, then press the dust cup into locked slot and click into place.

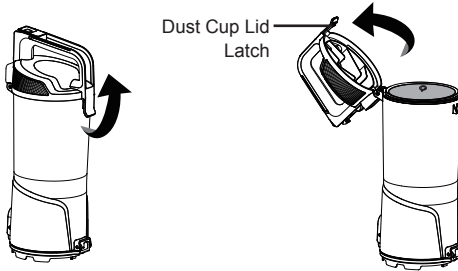


Cleaning the Felt Filter and Primary Filter

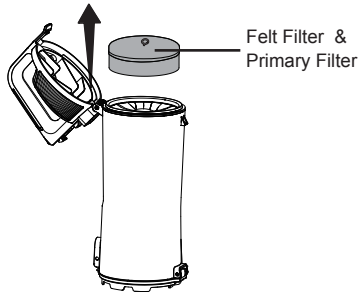
The felt filter and primary filter are fixed together and located inside the dust cup lid.

It is recommended to clean the felt filter and primary filter with cold water at least once a month. Check the felt filter and primary filter frequently and clean when dirty.

1. Remove the dust cup as outlined in the **Emptying the Dust Cup**.
2. Hold the dust cup, pull the dust cup lid latch and open the lid.



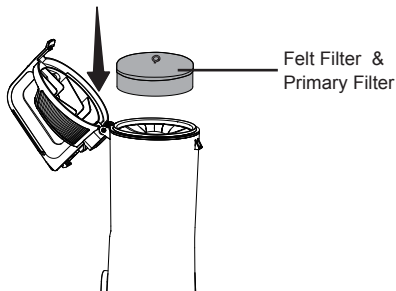
3. Remove the felt filter and primary filter from the dust cup using the small tab attached on the filter.



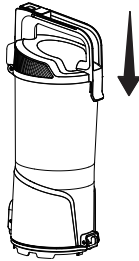
4. Use a soft brush to brush loose debris from the felt filter and primary filter then rinse with cold water. **DO NOT** use detergent or soap. Rinse and gently squeeze dry the filters. Set them aside and allow to air dry for 24 hours.

IMPORTANT: The filters must dry completely before reuse.

5. Place the primary filter and felt filter back into the dust cup.



6. Close the dust cup lid until you hear a click.



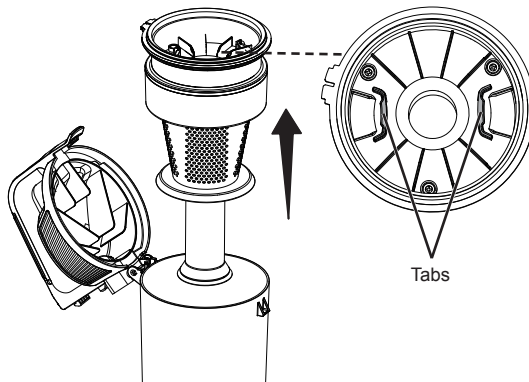
7. Reinstall the dust cup into the main body. See installation instructions in the **Emptying the Dust Cup**.

Cleaning the Pre-filter

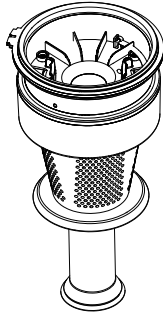
The pre-filter is located inside the dust cup. Check the pre-filter frequently and clean when dirty.

NOTE: Make sure the dust cup is free of any debris before opening.

1. Open the dust cup lid and remove the felt filter and primary filter as outlined in the **Cleaning the Felt Filter and Primary Filter**.
2. Lift up the pre-filter from the dust cup using the two tabs.



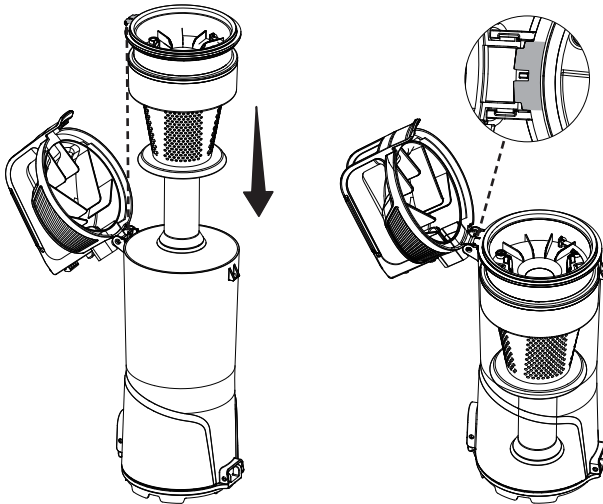
3. Clean off hair and other debris wrapped around the pre-filter. Clean the pre-filter by gently tapping over a trash container. Tap on several sides to ensure best cleaning.



4. If necessary, rinse the pre-filter with cold water only. Do not use detergent or soap. Set the pre-filter aside and allow to air dry for 24 hours. Do not wash in the dishwasher. Do not install damp.

IMPORTANT: The filters must dry completely before reuse.

5. Reinstall the pre-filter back into the dust cup. Make sure the pre-filter is set into place as shown.



6. Reinstall the primary filter and felt filter. See installation instructions in the **Cleaning the Felt Filter and Primary Filter.**

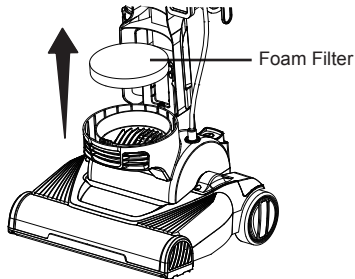
Cleaning the Foam Filter

It is recommended to clean the foam filter with cold water every three months.

NOTE: When the cleaning of the foam filter no longer restores vacuum cleaner suction to full power, or the filter is worn or broken, replace the filter.

Regularly clean and replace the filter to keep the vacuum's suction power optimal.

1. Remove the dust cup as outlined in the **Emptying the Dust Cup**.
2. Remove the foam filter.



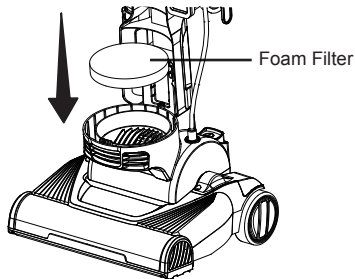
3. Wash with cold water only, **DO NOT** use detergent or soap. Squeeze by hand and allow to air dry. Allow all filters to dry 24 hours before putting back into vacuum cleaner.

NOTE: **DO NOT** operate without foam filter installed.

DO NOT wash in the dishwasher.

DO NOT install the foam filter if damp.

4. Replace foam filter into the vacuum cleaner.



5. Reinstall the dust cup. See installation instructions in the **Emptying the Dust Cup**.

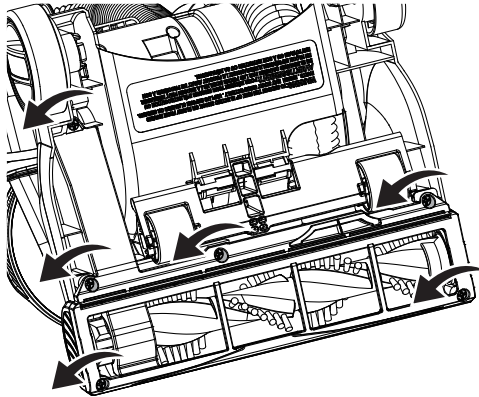
Changing the Belt

Replace the belt whenever a burning rubber smell caused by excessive slippage occurs.

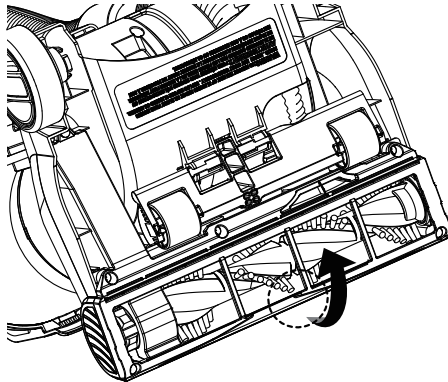
WARNING

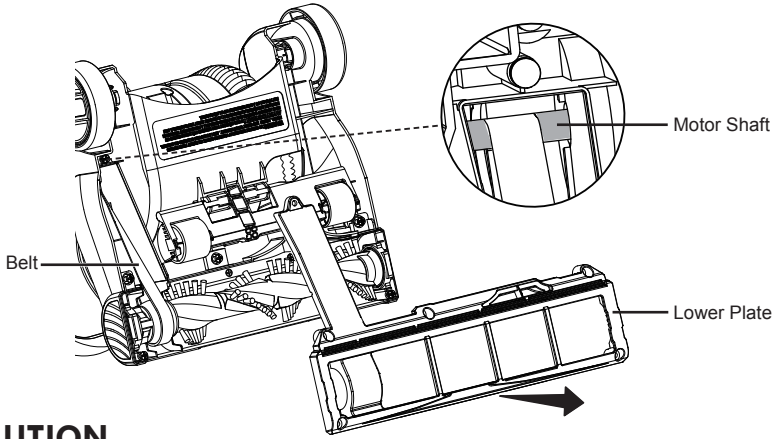
Always unplug the power cord from an electrical outlet before performing maintenance to the vacuum cleaner.

1. Lay vacuum cleaner on floor with the bottom up and the floor nozzle flat.
2. Use a Phillips head screwdriver to remove the six screws from the lower plate.



3. Carefully remove the lower plate from the floor nozzle. Be sure to only pry the middle section in the front of the lower plate as shown to avoid damaging the lower plate.

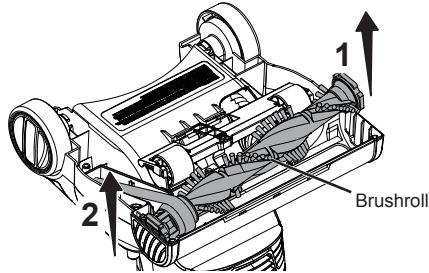




! CAUTION

Motor shaft may be hot.

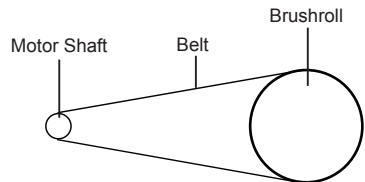
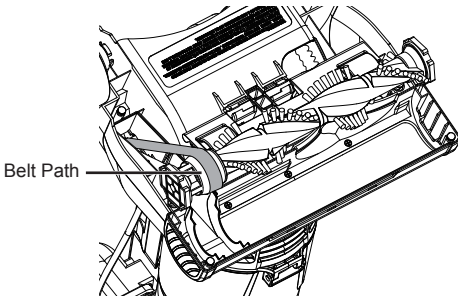
4. Remove the brushroll by carefully lifting it out.



5. Remove the worn or broken belt.

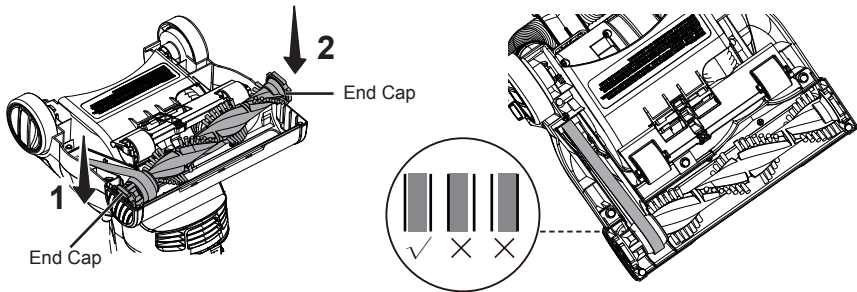
6. Use scissors to remove any entangled hair around the brushroll. Clean any debris from the floor nozzle.

7. Loop the new belt around motor shaft and the belt path on the brushroll.



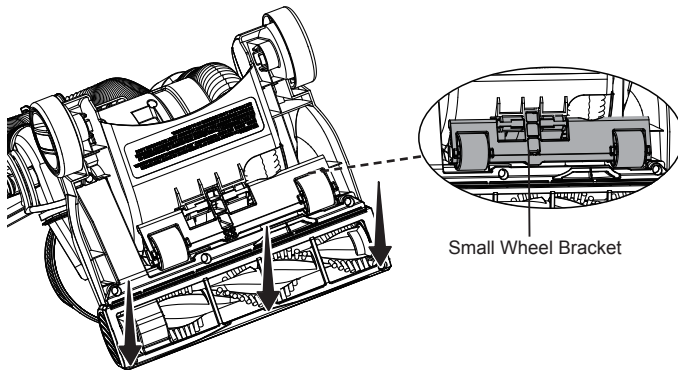
8. Reinstall the brushroll back into the floor nozzle by placing end caps into slots. First align the end cap of belt side of the brushroll with the slot and insert it into place. Then press down the end cap of the non-belt side firmly into the slot as shown below. Rotate the brushroll to make sure the belt is installed correctly.

NOTE: Make sure the belt is in the middle of the belt path as shown.



9. Reinstall the lower plate by aligning tabs on front edge of lower plate with slots in the nozzle first, and then press the lower plate into installed position.

NOTE: Check to make sure the small wheel bracket is properly fixed by the lower plate and cannot be lifted off.



10. Reinstall six screws into the lower plate. Do not over-tighten the screws.

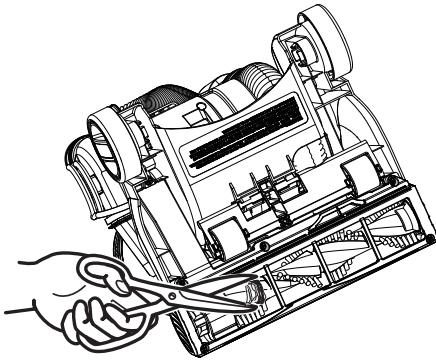
Cleaning the Brushroll

WARNING

Always unplug the power cord from an electrical outlet before performing maintenance to the vacuum cleaner.

To maintain efficient cleaning, the brushroll must be kept free of carpet fiber, string, or hair build-up. When it is dirty, unplug and turn vacuum cleaner off and check the brushroll for fiber and hair build-up. Use scissors to remove any build-up entangled around the brushroll.

Cleaning the brushroll periodically is recommended for best performance.



Removing Clogs

WARNING

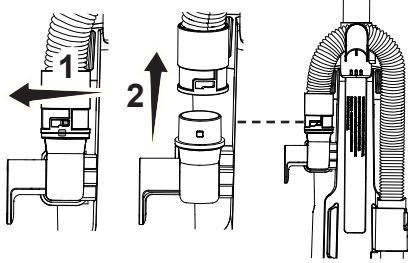
Disconnect electrical supply before removing clogs. Failure to do so could result in electrical shock or personal injury.

Checking the hose for clogs:

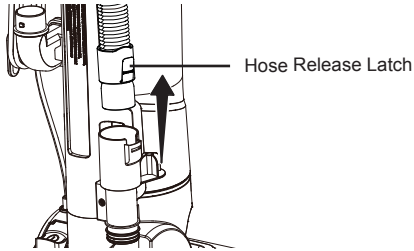
If there is noticeable abnormal noise when using the vacuum or the suction power suddenly drops, it is necessary to check the hose for clogs.

Frequently check air path to make sure it is free of obstructions.

1. Remove the hose end from the main body.



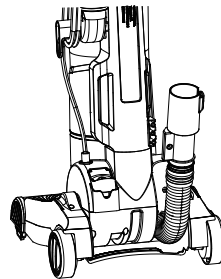
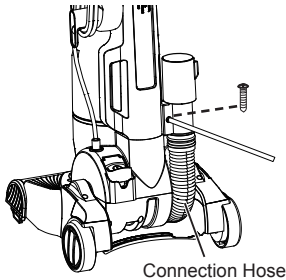
2. Remove the other end of the hose from the lower hose connection by pressing the hose release latch.



3. Check and remove any clogs in the hose.
4. Reinstall the hose to the vacuum cleaner. See **GENERAL ASSEMBLY INSTRUCTIONS** (page 7).

Checking the hose for clogs:

1. Check and remove any clogs in the connection hose.
2. If necessary, release the connection hose by removing one screw with a Phillips head screwdriver and check for clogs.



3. Reinstall the connection hose and fix with the screw. Do not over-tighten the screw.

TROUBLESHOOTING

Should you have any problem(s) with your vacuum cleaner, review the table below for solutions to minor performance issues.



WARNING

Disconnect electrical supply before performing maintenance to the vacuum cleaner. Failure to do so could result in electrical shock or personal injury.

PROBLEM	POSSIBLE CAUSE	SOLUTION
Vacuum will not power on.	The plug is not plugged to the wall outlet.	Be sure power cord plug is fully plugged into outlet.
	The power button is not pressed to start the vacuum cleaner.	Press the power button to start the vacuum cleaner.
	The vacuum body is overheated.	Unplug the power cord and let the vacuum cool down for 50 minutes.
	The motor is damaged.	Call 1-866-384-8432 for assistance.
Poor job of dirt pick-up.	The hose and accessories are not installed well.	Check the hose and accessories for correct installation and ensure they are snapped firmly in place.
	Dust cup is not installed correctly.	Check dust cup for correct installation and ensure it is snapped firmly in place.
	Full or clogged dust cup.	Empty the dust cup.
	There is a clog in the hose or connection hose of the vacuum cleaner.	Check and remove all clogs. Follow instructions on page 25-26.
	The felt filter, primary filter or the pre-filter needs cleaning.	Follow filter cleaning instructions on page 17-20.
	The felt filter and primary filter need to be replaced.	Purchase online at www.vacmaster.com or call 1-866-384-8432.
	The foam filter needs to be cleaned or replaced.	Clean or replace the foam filter. Follow foam filter cleaning instructions on page 21.

PROBLEM	POSSIBLE CAUSE	SOLUTION
Poor job of dirt pick-up.	The hose is worn.	Replace the hose. Purchase online at www.vacmaster.com or call 1-866-384-8432.
	The connection hose is worn.	Call 1-866-384-8432 for assistance.
	The brushroll is worn.	Call 1-866-384-8432 for assistance.
	The belt is worn or broken.	Replace the belt. Purchase online at www.vacmaster.com or call 1-866-384-8432.
Dust escapes from vacuum.	Dust cup is installed incorrectly.	Position dust cup correctly and snap firmly into place.
	The felt filter and primary filter are missing or installed incorrectly.	Check filters for correct installation. Follow instructions on page 17-19.
	The felt filter or primary filter is damaged and needs to be replaced.	Replace the felt filter and primary filter. Purchase online at www.vacmaster.com or call 1-866-384-8432.
	The pre-filter is damaged.	Call 1-866-384-8432 for assistance.
	The foam filter needs to be cleaned or replaced.	Clean or replace the foam filter. Follow the foam filter cleaning instructions on page 21.
Brushroll does not turn or produces a burning smell.	Brushroll is jammed.	Check brushroll for debris. Remove obstruction. Follow instructions on page 25.
	Brushroll is not installed correctly.	Remove the brushroll and reinstall following instructions on page 22-24.
	The belt is not routed correctly.	Check the belt routing on page 22-24.
	The belt is worn or broken.	Replace the broken or out of shape belt. Purchase online at www.vacmaster.com or call 1-866-384-8432.

PROBLEM	POSSIBLE CAUSE	SOLUTION
Airflow restricted with accessories in use; sound changes.	Air path is blocked.	Check for and remove any clogs and clean the air path. Follow instructions on page 25-26.
	Accessories in use restrict air flow.	Check accessories for fuzz, lint, pet hair or other debris.
Vacuum turns off on its own.	The power cord plug is loose from the outlet when using the vacuum.	Reinsert the power cord plug fully into the outlet. Avoid pulling or dragging the power cord when using the vacuum.
	The motor is damaged.	Call 1-866-384-8432 for assistance.

TABLA DE CONTENIDOS

SECCIÓN	PÁGINA
Instrucciones de Seguridad Importantes	2
Garantía	4
Datos Técnicos	4
Conozca Su Aspiradora	5
Instrucciones Generales de Ensamblaje	7
Instrucciones de Uso	10
Mantenimiento Para Su Aspiradora	16
Resolución de Problemas	27

Gracias por comprar esta aspiradora Vacmaster®. Con esta aspiradora, estás obteniendo un producto de alta calidad diseñado para un rendimiento óptimo.

POR SU SEGURIDAD

Lea y comprenda este manual antes de usar el producto.

Guarde este manual y su boleta (recibo) de venta en un lugar seguro para usarlos como referencia a futuro.

INSTRUCCIONES DE SEGURIDAD IMPORTANTES

Al utilizar un producto eléctrico se deben tomar siempre precauciones básicas, incluyendo las siguientes:

LEA TODAS LAS INSTRUCCIONES ANTES DE UTILIZAR ESTA ASPIRADORA.

No seguir las advertencias e instrucciones puede provocar explosiones, incendios o lesiones graves.

ADVERTENCIA - Para reducir el riesgo de incendio, descarga eléctrica o lesiones:

- No deje la aspiradora desatendida cuando esté enchufada. Desenchúfela de la toma de corriente cuando no esté en uso y antes de realizar el mantenimiento.
- No utilice el producto en exteriores ni sobre superficies mojadas.
- No permita que se utilice como un juguete. Se debe prestar estricta atención cuando el aparato lo usen niños o cuando se use cerca de ellos.
- Utilice el producto solo como se describe en este manual. Utilice solo los accesorios recomendados por el fabricante.
- No la utilice si la clavija o el cable están dañados. Si la aspiradora no funciona como debería, si se ha caído, dañado, dejado en exteriores o si se ha caído al agua, llame al servicio al cliente.
- No tire o transporte el aparato utilizando el cable como a modo de empuñadura, no apriete el cable al cerrar puertas ni pase el cable cerca de bordes afilados o esquinas. No use la aspiradora sobre su cable. Mantenga el cable alejado de superficies calientes.
- No desconecte tirando del cable. Para desconectarlo tire de la clavija, no del cable.
- No sujete el enchufe ni aspire con las manos mojadas.
- No ponga ningún objeto sobre las aberturas. No lo utilice si las aberturas están bloqueadas; tenga cuidado que no haya polvo, cabellos, pelusas en las aberturas o cualquier cosa que pueda reducir el flujo de aire.
- Mantenga su cabello, ropas holgadas, dedos y partes de su cuerpo lejos de las aberturas y piezas móviles del producto.
- Apague todos los controles antes de desconectar el dispositivo.
- Tenga precaución adicional al limpiar en escaleras.
- No use el producto para aspirar líquidos combustibles o inflamables, como gasolina, ni lo use en zonas donde puedan existir tales elementos.

- No aspire elementos que estén en llamas o humeando, tales como cigarrillos, fósforos o cenizas calientes.
- No usar sin los filtros instalados.

GUARDE ESTAS INSTRUCCIONES

Solo para uso doméstico

GARANTÍA

DURANTE UN AÑO a contar de la fecha de venta, este producto está garantizado contra defectos en sus materiales o fabricación cuando se ensambla, opera y mantiene siguiendo todas las instrucciones proporcionadas.

Un producto defectuoso puede reemplazarse por uno nuevo, de manera gratuita, considerando que se presente una **PRUEBA DE VENTA**.

Para obtener detalles de la cobertura de la garantía para obtener un reemplazo gratuito, visite la página web : www.vacmaster.com o llame al 1-866-384-8432.

- Esta garantía no cubre los filtros ni correas, las cuales son piezas desechables que pueden desgastarse debido al uso normal dentro del periodo de garantía.
- Esta garantía queda nula si el producto llega a usarse para algún propósito que no sea el uso privado doméstico.
- Esta garantía le entrega derechos legales específicos que pueden variar según su estado (podría tener otros derechos adicionales).

DATOS TÉCNICOS

Aspiradora de pie sin bolsa

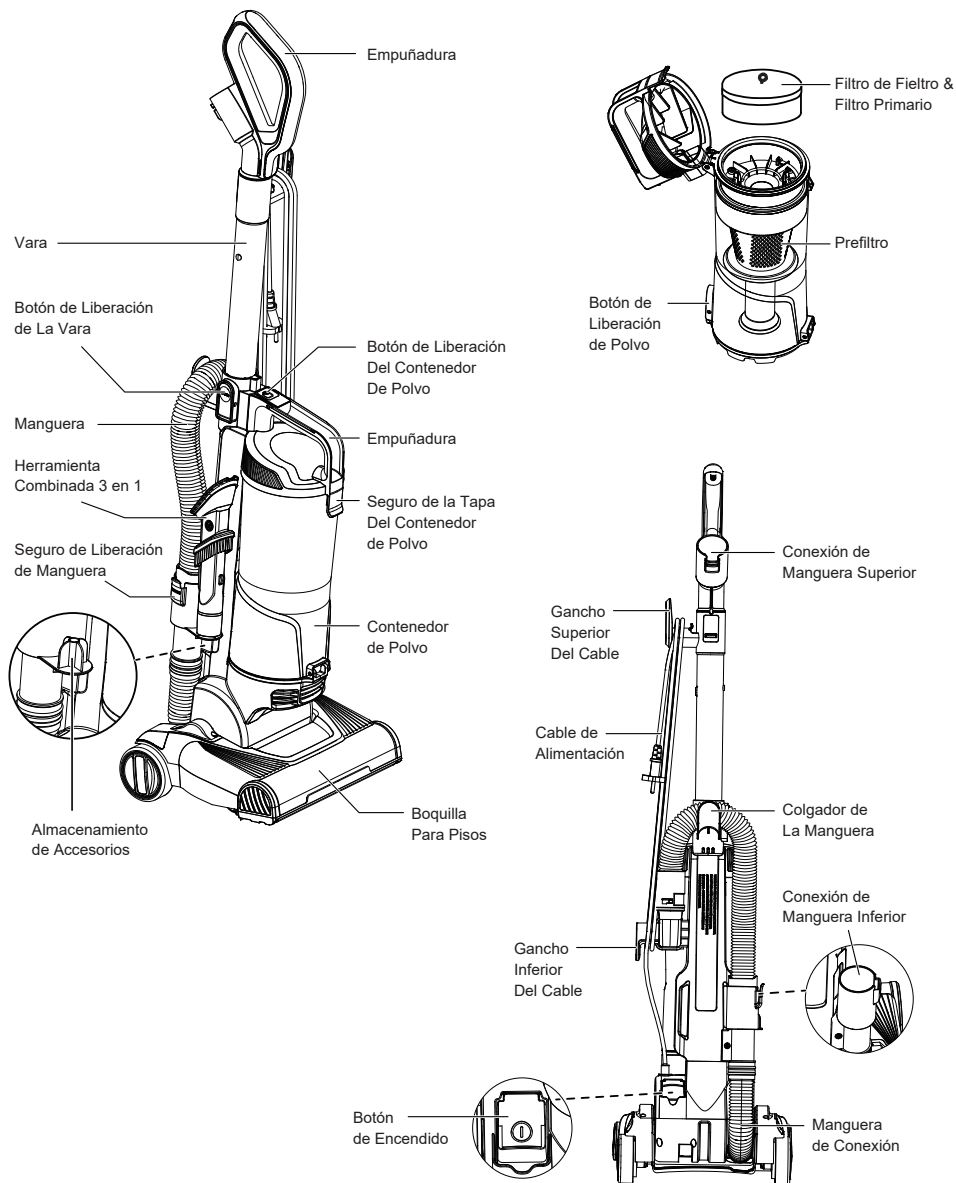
Modelo: UC0501

Tensión nominal: 120 V AC

Frecuencia nominal: 60 Hz

Corriente nominal: 7.5 A

CONOZCA SU ASPIRADORA



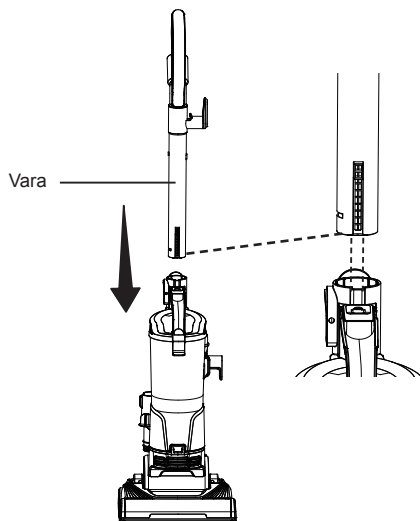
PIEZAS DE REPUESTO

Artículo	N° de Parte
Filtro de Filtro & Filtro Primario	571029102
Filtro de Espuma	571029103
Correa	571029105
Rodillo de Cepillo	571029104
Manguera	571029101
Herramienta Combinada 3 en 1	571029106

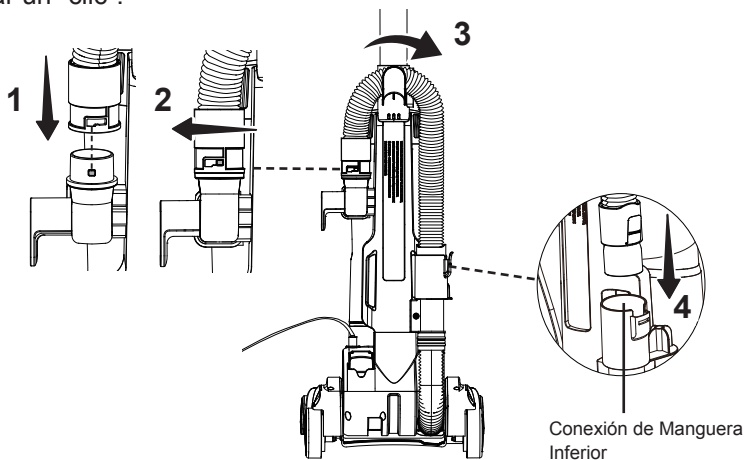
Disponible en línea en www.vacmaster.com o llamando al 1-866-384-8432.

INSTRUCCIONES GENERALES DE ENSAMBLAJE

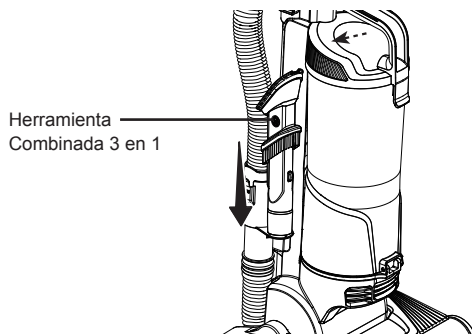
1. Inserte la vara en la unidad principal hasta escuchar un sonido de "clic".



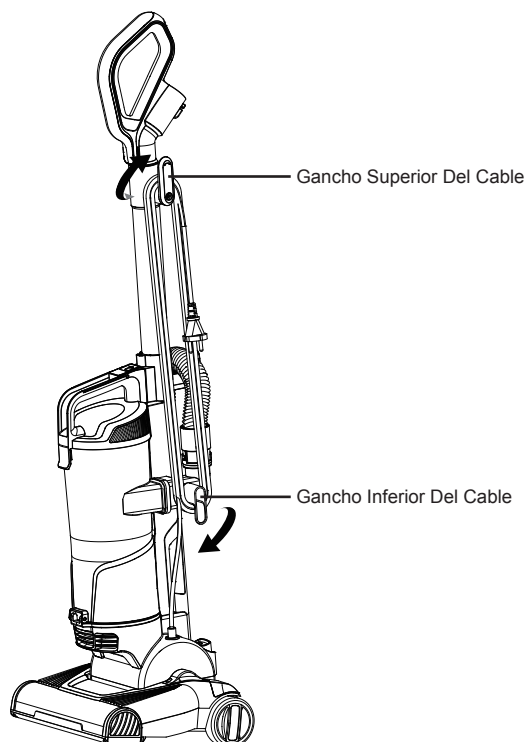
2. Instala la manguera en el cuerpo principal. Alinea el extremo de bloqueo de la manguera con el cuerpo principal como se muestra, y bloquea el extremo de la manguera girándolo hacia la izquierda. A continuación, pase la manguera sobre el colgador de la manguera. Introduzca el otro extremo de la manguera en la conexión de manguera inferior como se indica en la figura, hasta escuchar un "clic".



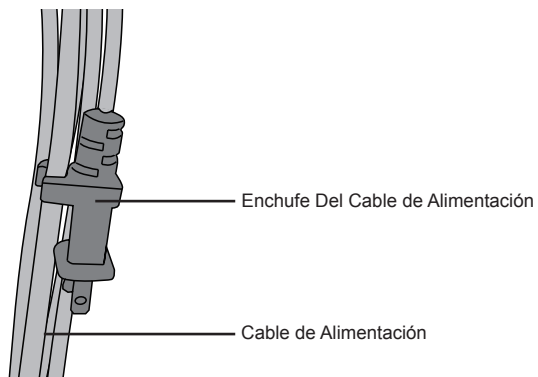
3. Inserta la herramienta combinada en el almacenamiento de accesorios como se muestra.



4. Asegúrese de que el gancho superior del cable esté en la posición recta, tal como se indica. Envuelva el cable de alimentación sin apretar alrededor de los ganchos superior e inferior del cable.



5. Fije el enchufe correspondiente al cable de alimentación.



ADVERTENCIA

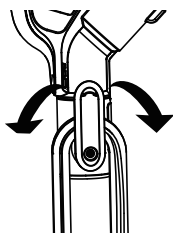
Enrollar el cable demasiado firme y con tensión excesiva puede provocar daños. Un cable dañado representa un peligro de descarga eléctrica y podría causar lesiones a las personas o daños.

INSTRUCCIONES DE USO

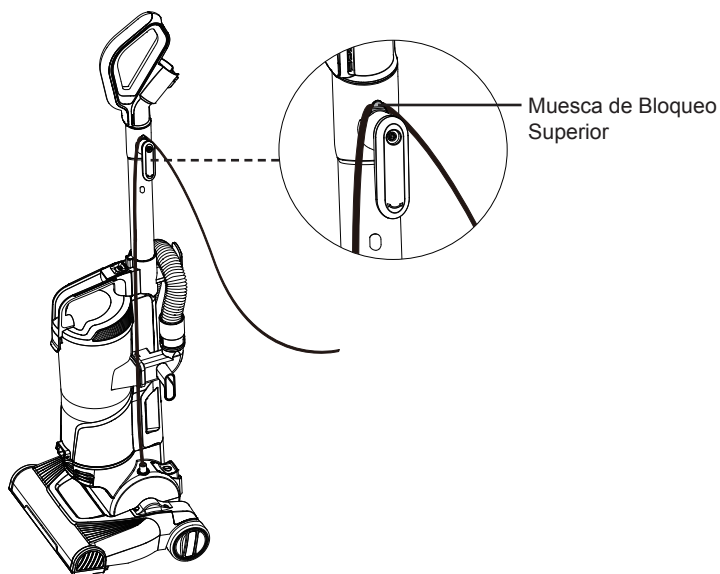
Uso de Su Aspiradora de Pie

NOTA: Asegúrese de que la aspiradora esté completamente ensamblada y que el contenedor de polvo esté vacío antes de usar la aspiradora. No use la aspiradora sin los filtros instalados.

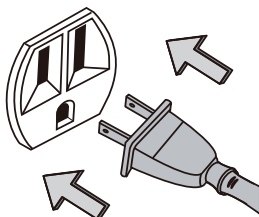
1. Gire el gancho superior del cable hacia ambos lados para liberar el cable de alimentación.



2. Separe la clavija del cable de alimentación.
3. Asegúrese de que el cable de alimentación esté bloqueado en la muesca de bloqueo superior como se indica. Esto ayudará a controlar el cable de alimentación mientras se esté usando la aspiradora.



4. Enchufe el cable de alimentación a un tomacorriente que se encuentre cerca del piso.



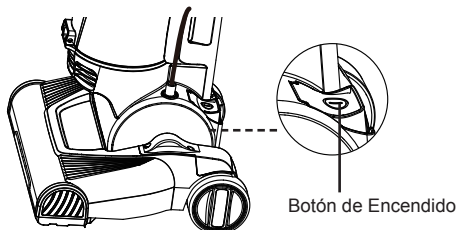
ADVERTENCIA

Para reducir el riesgo de descarga eléctrica, este electrodoméstico posee una clavija polarizada (una punta es más ancha que la otra). Esta clavija calzará en la toma de corriente de pared polarizado solo en una posición. Si la clavija no entra completamente en la toma de corriente, póngala al revés. Si aún no calza, contacte a un técnico electricista calificado que pueda ayudarle a instalar la toma de corriente indicado. No modifique la clavija de ningún modo.

5. Suelte la empuñadura colocando el pie sobre la boquilla para pisos y jalando hacia atrás para cambiar la posición de la empuñadura.

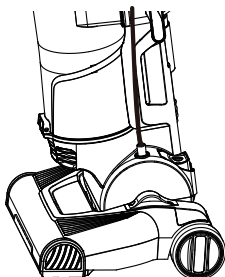


6. Presione el botón de encendido con el pie para encender la aspiradora.



7. Al terminar de aspirar, presione nuevamente el botón de encendido. Devuelva la empuñadura a la posición recta empujando la empuñadura hacia

adelante hasta que el cuerpo de la aspiradora quede bloqueado en posición. Desconecte el cable de alimentación de la toma de corriente.



8. Para almacenar el cable de alimentación después de usarlo, coloque el gancho superior del cable en posición recta. Luego, enrolle el cable con holgura en los ganchos.

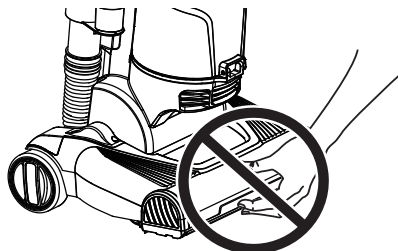
NOTA: Mantenga siempre el cepillo de rodillo libre de fibra de alfombras, hebras o cabello para así extender su vida útil. Si el cepillo de rodillo se enreda con hebras o cabello, deje de usarlo y límpielo inmediatamente.

PRECAUCIÓN

No deje que la aspiradora permanezca en un solo lugar, sin importar la cantidad de tiempo, cuando el cepillo de rodillo esté girando. Podría dañar la alfombra.

PRECAUCIÓN

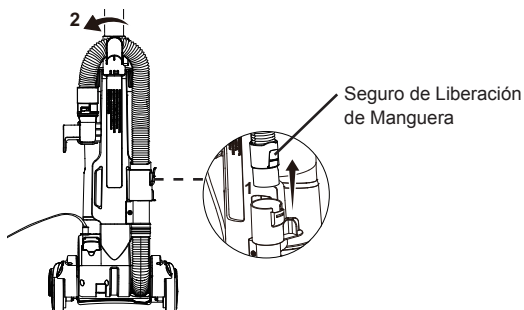
¡Piezas móviles! Para reducir el riesgo de lesiones personales, NO toque el cepillo de rodillo de la boquilla para el suelo mientras la aspiradora esté encendida. El contacto con el cepillo de rodillo mientras está girando podría causarle otras lesiones. Desconecte la aspiradora de la toma de corriente antes de repararla o limpiarla. Preste cuidado al usar el aparato cerca de niños.



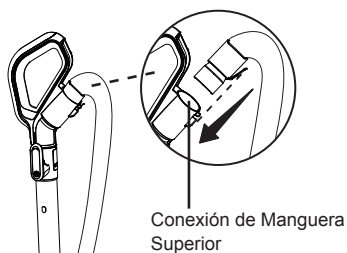
Uso de tu Aspiradora con Accesorios

NOTA: El rodillo del cepillo continúa girando cuando se utiliza la aspiradora con accesorios. Para evitar dañar la alfombra de pelo largo, NO coloque la aspiradora en la alfombra.

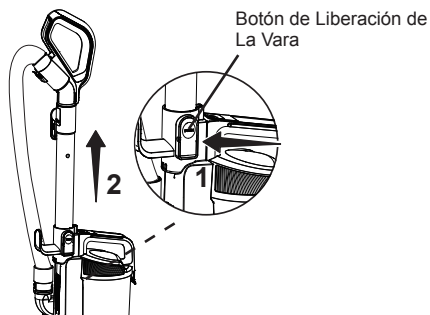
1. Coloque la aspiradora en posición de bloqueo recta.
2. Presiona el seguro de liberación de manguera y separa el extremo inferior de la manguera de la conexión de la manguera inferior.



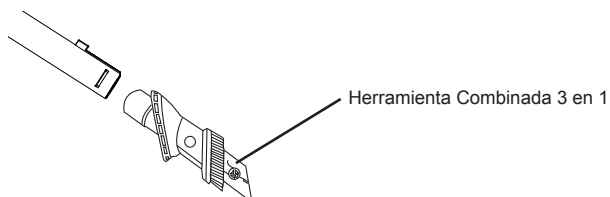
3. Introduzca el extremo de la manguera en la conexión de manguera superior como se muestra en la imagen hasta escuchar un "clic".



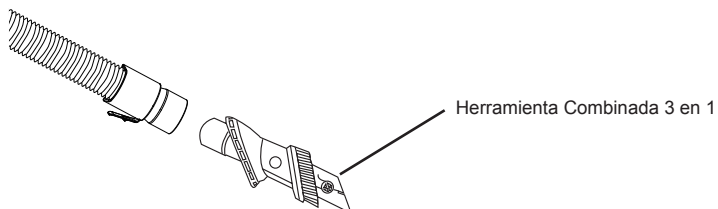
4. Presione el botón de liberación de la vara y levante la vara.



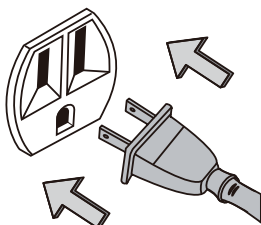
5. Elija el accesorio deseado e insértelo en la vara.



NOTA: También puedes optar por utilizar tu aspiradora insertando la herramienta combinada directamente en la manguera.



6. Enchufe el cable de alimentación a un tomacorriente que se encuentre cerca del piso.



7. Presione el botón de encendido con el pie para encender la aspiradora.

8. Tras haber terminado de aspirar, presione nuevamente el botón de encendido y desconecte el cable de alimentación de la toma de corriente.

IMPORTANTE: Recuerde volver a introducir el extremo de la manguera en la conexión de manguera inferior antes de usar la aspiradora en el modo vertical.

PRECAUCIÓN

Al usar accesorios, tenga cuidado de no sobreestirar la manguera al estirarse para así evitar que la aspiradora se incline y se caiga.

PRECAUCIÓN

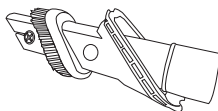
NO tire de la manguera para mover la aspiradora dentro de la habitación. Podrían producirse daños a la propiedad o lesiones personales.

Accessoires

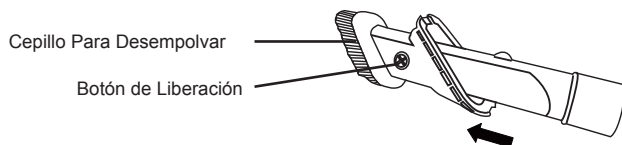
Herramienta Combinada 3 en 1

La herramienta combinada 3 en 1 se puede fijar el extremo de la vara y manguera.

Utilice la herramienta combinada 3 en 1 en modo herramienta para hendiduras para limpiar espacios angostos en muebles, entre cojines y en escaleras.



Configure la herramienta combinada en modo cepillo para limpiar polvo presionando el botón de liberación y deslizando el costado con cepillo de la herramienta hacia el extremo de la herramienta combinada. Use en modo cepillo para limpiar polvo para limpiar superficies holgadas, como cortinas.



Presione el botón de liberación para sacar el cepillo para limpiar polvo. Coloque la herramienta combinada en modo cepillo para tapizados como se indica. Use en modo cepillo para limpiar superficies de tela como tapices de sofás.



Para volver la herramienta combinada al modo de herramienta para grietas, presione el botón de liberación y deslice la herramienta de cepillo hacia abajo.

NOTA: Limpie siempre los accesorios antes de usarlos en telas.

Almacenamiento de La Aspiradora

1. Asegúrate de que la manguera esté bloqueada en su lugar y que el accesorio esté guardado a bordo.
2. Reúna el cable y enróllalo con holgura alrededor de los ganchos superior e inferior del cable. Fije el enchufe correspondiente al cable de alimentación.
3. Guarde la aspiradora en un área seca en interior, en el piso con la empuñadura trabada en posición vertical.

MANTENIMIENTO PARA SU ASPIRADORA



PRECAUCIÓN

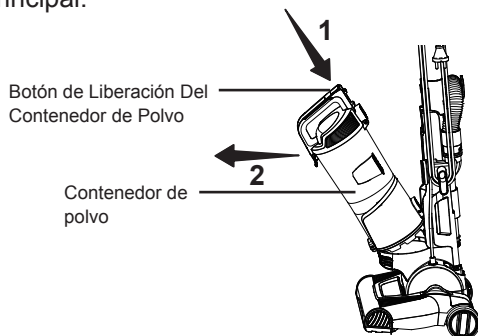
Para reducir el riesgo de descarga eléctrica, apaga y desconecta el cable de alimentación antes de realizar cualquier servicio o mantenimiento.

NOTA: Use un paño seco para limpiar el exterior del producto. No permita que ningún tipo de líquido ingrese a la unidad. Lave los accesorios en agua tibia jabonosa, enjuague y seque al aire. No limpiar en lavavajillas.

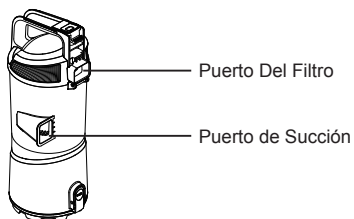
Vaciado Del Contenedor de Polvo

NOTA: Para obtener el máximo rendimiento, vacíe el contenedor de polvo después de cada uso. Jamás use la aspiradora sin el contenedor de polvo y filtros instalados.

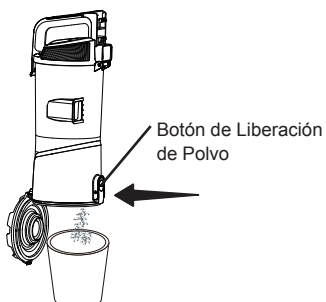
1. Presione el botón de liberación del contenedor de polvo para quitarlo de la unidad principal.



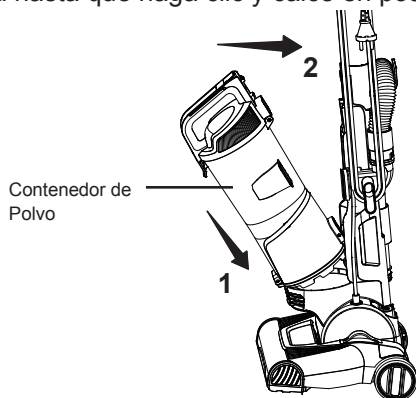
2. Quite cualquier obstrucción que pueda haber en el puerto de succión o en el área del puerto del filtro.



3. Coloque el contenedor de polvo sobre un receptáculo de desechos. Presione el botón de liberación de polvo para abrir la tapa del contenedor de polvo y dejar caer su contenido sobre un receptáculo de desechos.



4. Agite el contenedor de polvo para soltar cualquier sedimento que pueda estar colgando en el prefiltro.
5. Reinstale e inserte el contenedor de polvo en las ranuras de la parte inferior de la unidad principal, luego presione el contenedor de polvo hacia la ranura bloqueada hasta que haga clic y calce en posición.

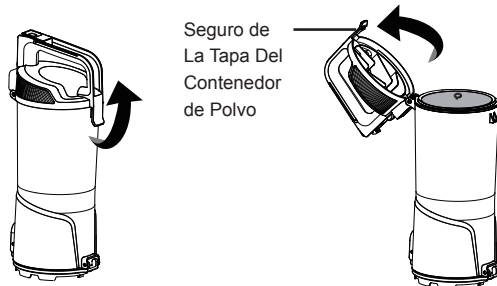


Limpieza del Filtro de Fieltro y del Filtro Primario

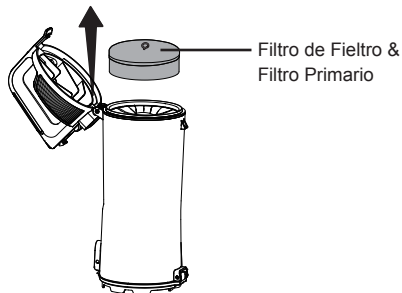
El filtro de fieltro y el filtro primario se fijan juntos y se ubican dentro de la tapa del contenedor de polvo.

Se recomienda limpiar el filtro de fieltro y el filtro primario con agua fría al menos una vez al mes. Revisa el filtro de fieltro y el filtro primario con frecuencia y límpialos cuando estén sucios.

1. Saque el contenedor de polvo como se indica en la sección **Vaciado del contenedor de polvo**.
2. Sostén el contenedor de polvo, tira del seguro de la tapa del contenedor de polvo y abre la tapa.



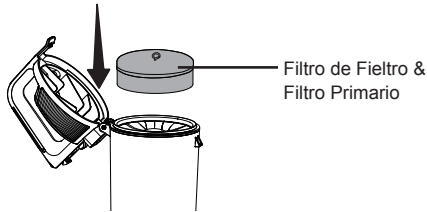
3. Retira el filtro de fieltro y el filtro primario del contenedor de polvo por la lengüeta pequeña que se encuentra en el filtro.



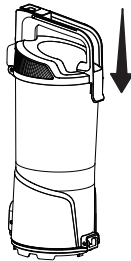
4. Usa un cepillo suave para cepillar los desechos sueltos del filtro de fieltro y del filtro primario, luego enjuaga con agua fría. **NO** use detergentes o jabón. Enjuaga y aprieta suavemente los filtros para que se sequen. Déjalos a un lado y permite que se sequen al aire durante 24 horas.

IMPORTANTE: Los filtros deben estar completamente secos antes de reutilizarlos.

5. Vuelve a colocar el filtro primario y el filtro de fieltro en el contenedor de polvo.



6. Fermez le couvercle du bac à poussière jusqu'à ce que vous entendiez un clic.



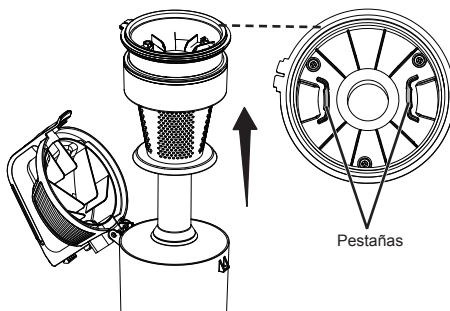
7. Reinstale el contenedor de polvo en la unidad principal. Consulte las instrucciones de instalación de la sección **Vaciado Del Contenedor de Polvo**.

Limpieza Del Prefiltro

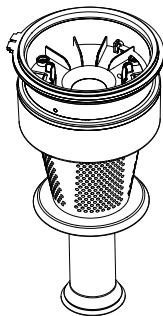
El prefiltro se encuentra dentro del contenedor de polvo. Revise frecuentemente el prefiltro y límpielo cuando esté sucio.

NOTA: Asegúrese de que el contenedor de polvo esté libre de sedimentos antes de abrirlo.

1. Abre la tapa del contenedor de polvo y retira el filtro de fieltro y el filtro primario como se indica en la **Limpieza Del Filtro de Fieltro y Del Filtro Primario**.
2. Levanta el prefiltro del contenedor de polvo usando las dos pestañas.



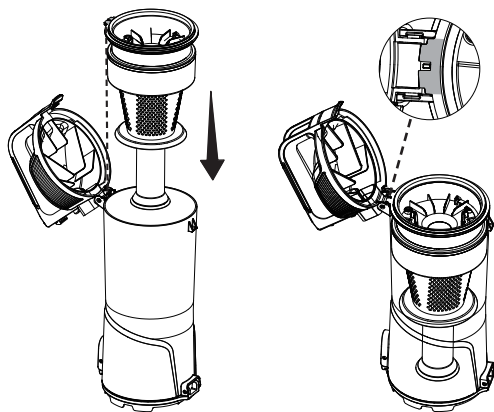
3. Quite el cabello y otros sedimentos enrollados en el prefiltro. Limpie el prefiltro golpeándolo suavemente sobre un contenedor de basura. Para garantizar la mejor limpieza posible, golpéelo desde varios ángulos.



4. De ser necesario, enjuague usando solo agua fría, NO use detergentes o jabón. Deje el prefiltro a un lado y déjelo secar al aire durante 24 horas. NO lavar en lavavajillas. NO instalar mojado.

IMPORTANTE: Los filtros deben estar completamente secos antes de reutilizarlos.

5. Vuelve a instalar el prefiltro en el contenedor de polvo. Asegúrate de que el prefiltro esté colocado en su lugar como se muestra.



6. Vuelve a instalar el filtro primario y el filtro de fieltro. Consulta las instrucciones de instalación en la **Limpieza Del Filtro de Fieltro y Del Filtro Primario**.

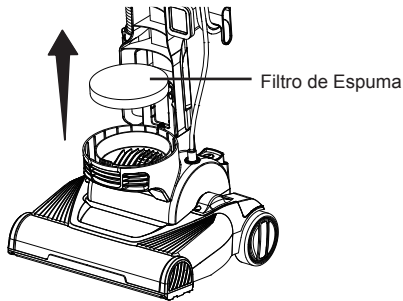
Limpeza Del Filtro de Espuma

Se recomienda limpiar el filtro de espuma con agua fría cada tres meses.

NOTA: Cuando la limpieza del filtro de espuma ya no restablezca la succión de la aspiradora a plena potencia, o el filtro esté desgastado o roto, reemplaza el filtro.

Limpia y reemplaza regularmente el filtro para mantener la potencia de succión óptima de la aspiradora.

1. Saque el contenedor de polvo como se indica en la sección **Vaciado Del Contenedor de Polvo**.
2. Retira el filtro de espuma.



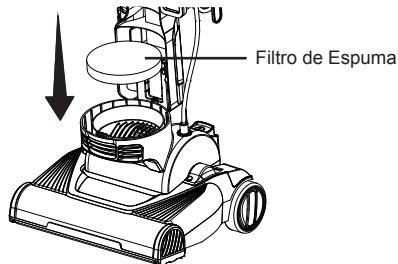
3. Lave usando solo agua fría, NO use detergentes o jabón. Estruje a mano y deje secar al aire. Deje secar todos los filtros durante 24 horas antes de volver a colocarlos en la aspiradora.

NOTA: NO operes sin el filtro de espuma instalado.

NO lavar en lavavajillas.

NO instales el filtro de espuma si está húmedo.

4. Vuelve a colocar el filtro de espuma en la aspiradora.



5. Reinstale el contenedor de polvo. Consulte **Vaciado del contenedor de polvo**.

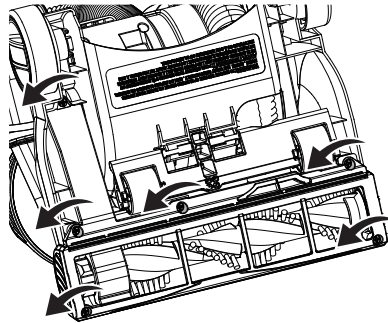
Cambio de La Correa

Cambie la correa cuando sienta un olor a goma quemada provocado por un resbalamiento excesivo.

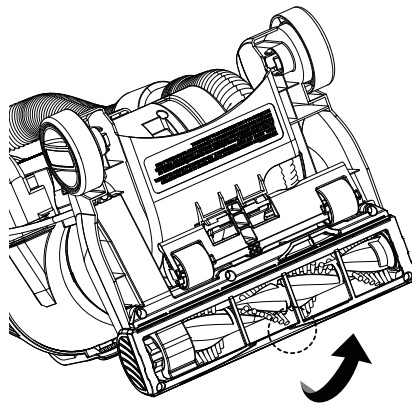
ADVERTENCIA

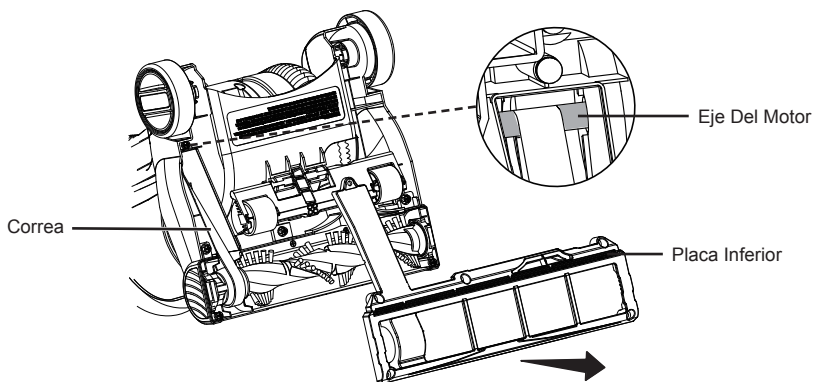
Desconecte siempre el cable de alimentación de la toma de corriente antes de realizar mantenimiento a la aspiradora.

1. Coloque la aspiradora sobre el piso con la parte inferior hacia arriba y la boquilla para pisos plana.
2. Use un destornillador Phillips para sacar los seis tornillos de la placa inferior.



3. Retira con cuidado la placa inferior de la boquilla para pisos. Asegúrate de hacer palanca solamente en la sección central de la parte delantera de la placa inferior como se muestra para evitar dañar la placa inferior.

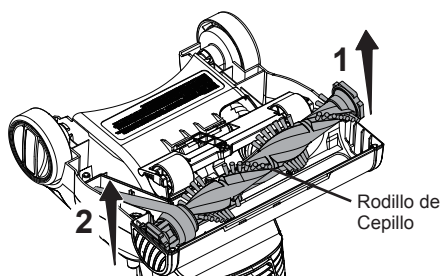




! PRECAUCIÓN

El eje del motor podría estar caliente.

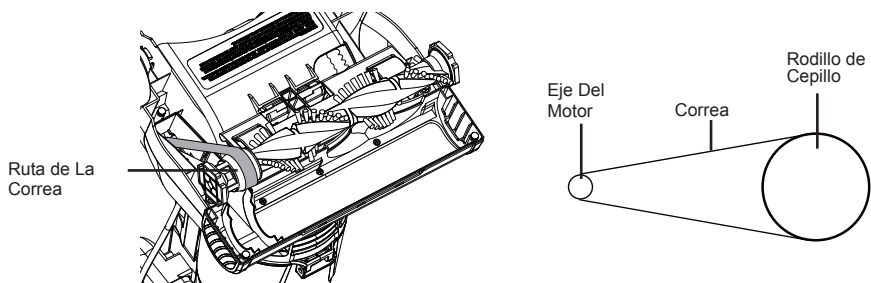
4. Quite el cepillo de rodillo levantándolo cuidadosamente.



5. Quite la correa gastada o rota.

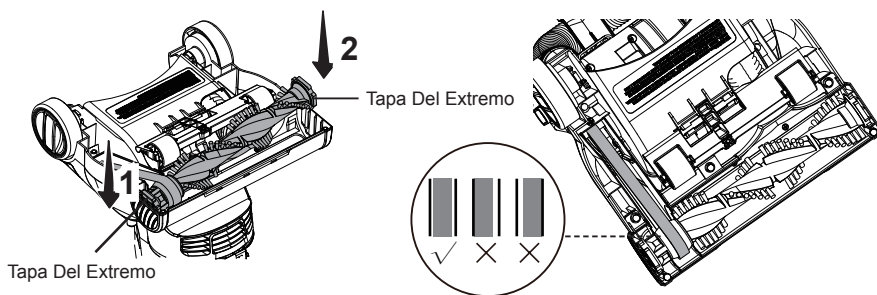
6. Use unas tijeras para quitar cualquier cabello que pueda haber enredado en el cepillo de rodillo. Limpie los sedimentos que la boquilla para pisos pueda tener.

7. Coloque la nueva correa alrededor del eje del motor y la guía para la correa del cepillo de rodillo.



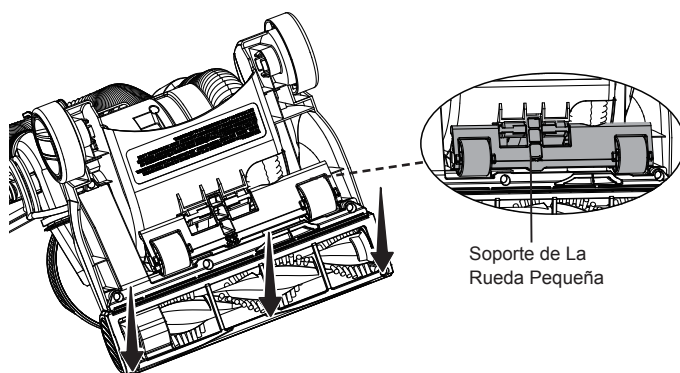
8. Reinstale el cepillo de rodillo en la boquilla para pisos colocando las tapas de los extremos en las ranuras. Primero, alinee la tapa del extremo del lado de la correa del cepillo de rodillo con la ranura e insértela en posición. Luego, presione la tapa del extremo del lado opuesto al de la correa con firmeza hacia la ranura como se indica a continuación. Gire el cepillo de rodillo para asegurarse de que la correa está instalada correctamente.

NOTA: Asegúrese de que la correa esté en el medio de la guía para la correa como se indica.



9. Reinstale la placa inferior alineando las lengüetas del borde frontal de la placa inferior con las ranuras de la boquilla primero; luego, presione la placa inferior hacia su posición de instalación.

NOTA: Compruebe y asegúrese de que el soporte de la rueda pequeña esté bien fijo junto a la placa inferior y que no pueda levantarse.



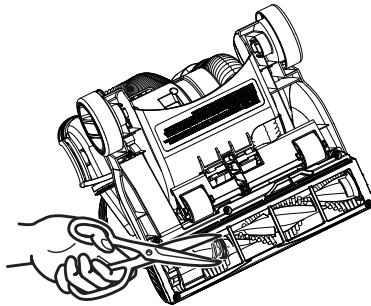
10. Reinstale los seis tornillos en la placa inferior. No apriete los tornillos más de la cuenta.

Limpeza Del Cepillo de Rodillo

ADVERTENCIA

Desenchufe siempre el cable de alimentación de la toma de corriente antes de realizar tareas de mantenimiento en la aspiradora.

Para mantener una limpieza eficiente, el cepillo de rodillo debe mantenerse libre de fibra de alfombras, hebras o pelos. Cuando esté sucio, desenchufa y apaga la aspiradora y revisa el rodillo del cepillo para ver si hay acumulación de fibras y cabellos. Use tijeras para quitar las acumulaciones de objetos enredados en el cepillo. Recomendamos limpiar el cepillo de rodillo periódicamente para lograr el máximo desempeño.



Cómo Quitar Obstrucciones

ADVERTENCIA

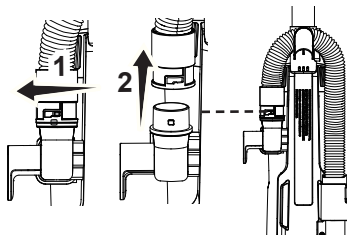
Desconecte la fuente de alimentación antes de quitar obstrucciones. El no seguir estas indicaciones puede provocar lesiones personales o descargas eléctricas.

Comprobación de obstrucciones en la manguera:

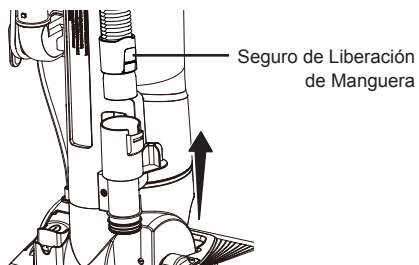
En caso de haber un ruido anormal al usar la aspiradora, o si la potencia de succión cae súbitamente, es necesario revisar que la manguera no tenga tapones.

Revise frecuentemente la vía de aire para asegurarse de que no tenga obstrucciones.

1. Quite los extremos de la manguera de la unidad principal.



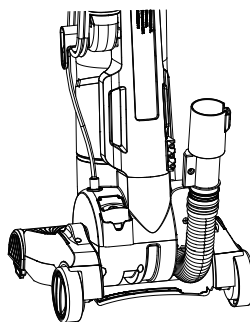
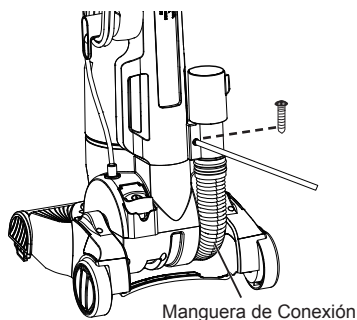
2. Retira el otro extremo de la manguera y la conexión de la manguera inferior presionando el seguro de liberación de manguera.



3. Revise y saque cualquier tapón de la manguera.
4. Reinstale la manguera en la aspiradora. Consulte las **INSTRUCCIONES GENERALES DE ENSAMBLAJE** (Página 7).

Comprobación de obstrucciones en la manguera de conexión:

1. Revise y quite cualquier obstrucción de la manguera de conexión.
2. De ser necesario, suelte la manguera de conexión quitando un tornillo con un destornillador Phillips y luego revise que no haya acumulaciones.



3. Reinstale la manguera de conexión y fíjela con el tornillo. No apriete el tornillo más de la cuenta.

RESOLUCIÓN DE PROBLEMAS

Si tiene algún problema con su aspiradora, revise la tabla a continuación para encontrar soluciones a problemas de rendimiento no críticos.



ADVERTENCIA

Desconecte el suministro eléctrico antes de realizar cualquier trabajo de mantenimiento en la aspiradora. El no seguir estas indicaciones puede provocar lesiones personales o descargas eléctricas.

PROBLEMA	CAUSA PROBABLE	SOLUCIÓN
La aspiradora no enciende.	El enchufe no está conectado en la toma de corriente.	Asegúrese de que el enchufe del cable de alimentación esté completamente insertado en el tomacorriente.
	El botón de encendido no se está presionando para encender la aspiradora.	Presione el botón de encendido para encender la aspiradora.
	El cuerpo de la aspiradora está sobrecalentado.	Desenchufe el cable de alimentación y deje enfriar la aspiradora durante 50 minutos.
	El motor está dañado.	Llame al 1-866-384-8432 para obtener ayuda.
Recolección de suciedad ineficiente.	La manguera o accesorios no están instalados correctamente.	Revise que la manguera y accesorios estén bien instalados y asegúrese de que se conecten firmemente.
	El contenedor de polvo no está instalado correctamente.	Revise que el contenedor de polvo esté bien instalado y asegúrese de que se conecte firmemente.
	Contenedor de polvo lleno o tapado.	Vacíe el contenedor de polvo.
	Hay un tapón en la manguera o manguera de conexión de la aspiradora.	Revise y saque cualquier tapón. Siga las instrucciones de la página 25-26.
	El filtro de fieltro, el filtro primario o el prefiltro necesitan limpieza.	Siga las instrucciones de limpieza del filtro indicadas en la página 18-20.

	Es necesario reemplazar el filtro de fieltro y el filtro primario.	Puede comprar en línea en www.vacmaster.com o llamando al 1-866-384-8432.
	Se debe limpiar o reemplazar el filtro de espuma.	Limpie o reemplace el filtro de espuma. Siga las instrucciones de limpieza del filtro de espuma que aparecen en la página 21.
	La manguera está gastada.	Cambie la manguera. Puede comprar en línea en www.vacmaster.com o llamando al 1-866-384-8432.
	La manguera de conexión está gastada.	Llame al 1-866-384-8432 para obtener ayuda.
	El cepillo de rodillo está gastado.	Llame al 1-866-384-8432 para obtener ayuda.
	La correa está gastada o rota.	Cambie la correa. Puede comprar en línea en www.vacmaster.com o llamando al 1-866-384-8432.
Sale polvo de la aspiradora.	El contenedor de polvo está instalado incorrectamente.	Coloque correctamente el contenedor de polvo y hágalo calzar con firmeza en posición.
	El filtro de fieltro y el filtro primario faltan o están instalados incorrectamente.	Verifica que los filtros estén instalados correctamente. Siga las instrucciones de la página 18-19.
	El filtro de fieltro o el filtro primario están dañados y se deben reemplazar.	Reemplaza el filtro de fieltro y el filtro primario. Puede comprar en línea en www.vacmaster.com o llamando al 1-866-384-8432.
	El prefiltro está dañado.	Llame al 1-866-384-8432 para obtener ayuda.
	Se debe limpiar o reemplazar el filtro de espuma.	Limpie o reemplace el filtro de espuma. Siga las instrucciones de limpieza del filtro de espuma que aparecen en la página 21.

El cepillo de rodillo no gira o produce olor a quemado.	El cepillo de rodillo está atascado.	Compruebe si hay residuos en el cepillo de rodillo. Quite la obstrucción. Siga las instrucciones de la página 25.
	El cepillo de rodillo no está instalado correctamente.	Saque el cepillo de rodillo y reinstálelo. Siga las instrucciones de la página 22-24.
	La correa no está bien colocada.	Revise cómo ajustar la correa en la página 22-24.
	La correa está gastada o rota.	Cambie la correa rota o deformada. Puede comprar en línea en www.vacmaster.com o llamando al 1-866-384-8432.
El flujo de aire se restringe al usar accesorios; el sonido cambia.	La vía aérea está bloqueada.	Revise y quite cualquier obstrucción y despeje la vía aérea. Siga las instrucciones de la página 25-26.
	Los accesorios en uso restringen el flujo de aire.	Revise que los accesorios no tengan pelusas, pelo de mascotas u otros sedimentos.
La aspiradora se apaga sola.	La clavija del cable de alimentación se suelta de la toma de corriente al usar la aspiradora.	Reinserte la clavija del cable de alimentación en la toma de corriente. Evite tirar del cable de alimentación o arrastrarlo al usar la aspiradora.
	El motor está dañado.	Llame al 1-866-384-8432 para obtener ayuda.

UC0501
MADE IN P.R.C

SOMMAIRE

SECTION	PAGE
Consignes Importantes de Sécurité	2
Garantie	4
Fiche Technique	4
Familiarisez-Vous Avec Votre Aspirateur	5
Instructions Relatives Au Montage Général	7
Instructions D'utilisation	10
Entretien de Votre Aspirateur	17
Dépannage	28

Nous vous remercions pour l'acquisition de cet aspirateur Vacmaster®. Vous avez un produit de haute qualité, conçu pour des performances optimales.

POUR GARANTIR VOTRE SÉCURITÉ

Lisez et comprenez ce manuel avant toute utilisation de l'appareil.

Veuillez conserver en lieu sûr le présent manuel ainsi que votre ticket de caisse (reçu) afin de pouvoir vous y référer ultérieurement.

CONSIGNES IMPORTANTES DE SÉCURITÉ

Lors de l'utilisation d'un appareil électrique, des précautions de base doivent toujours être prises, notamment les suivantes :

VEILLEZ À LIRE TOUTES LES CONSIGNES AVANT TOUTE UTILISATION DU PRÉSENT ASPIRATEUR.

Le non-respect des avertissements et consignes ci-dessous peut entraîner des risques d'explosion, d'incendie et/ou de blessures graves.



AVERTISSEMENT - Afin de réduire tous risques d'incendie, d'électrocution ou de blessures :

- Ne pas laisser l'aspirateur branché. Pensez à le débrancher de la prise lorsque vous ne l'utilisez pas ou avant de le réparer ou de l'entretenir.
- Ne pas utiliser l'appareil à l'extérieur ni sur des surfaces humides.
- Ne pas permettre que l'appareil soit utilisé comme un jouet. Soyez très attentif s'il est utilisé par des enfants ou si des enfants se trouvent à proximité.
- Utilisez cet appareil exclusivement conformément aux descriptions fournies dans le présent manuel d'utilisation. Utilisez exclusivement les accessoires recommandés par le fabricant.
- Ne pas utiliser l'appareil si le cordon ou la fiche est endommagé(e). En cas de dysfonctionnement, de chute, de détérioration, d'abandon à l'extérieur, ou de chute dans de l'eau, de l'aspirateur, appelez le service clientèle.
- Ne pas tirer ni porter l'appareil en utilisant le cordon. Ne pas utiliser celui-ci comme poignée ou pour fermer une porte et ne pas l'enrouler autour de bords coupants ou d'arêtes vives. Ne pas faire passer l'aspirateur sur le cordon. Maintenez le cordon à l'écart de toutes surfaces chaudes.
- Ne pas débrancher l'appareil en tirant sur le cordon. Pour débrancher le produit, saisissez la fiche, pas le cordon.
- Ne pas manipuler la fiche d'alimentation ou l'aspirateur avec des mains mouillées.
- N'introduire aucun objet dans les orifices de l'appareil. Ne pas utiliser l'appareil si un orifice est bouché. Faites en sorte que les orifices ne soient pas encombrés de poussières, peluches, cheveux ou de toute autre objet susceptible de gêner la circulation de l'air.
- Maintenez vos cheveux, vêtements amples, doigts et toutes parties du corps à l'écart des orifices et des pièces mobiles.
- Coupez toutes les commandes de l'appareil avant de le débrancher.

- Faites très attention lorsque vous nettoyez des escaliers.
- Ne pas utiliser l'appareil pour aspirer des liquides inflammables ou combustibles, notamment de l'essence, et ne pas l'utiliser dans des endroits où ces substances peuvent être présentes.
- Ne pas aspirer de matières en combustion ou qui dégagent de la fumée, telles que des cigarettes, des allumettes ou des cendres chaudes.
- Ne pas utiliser sans les filtres en place.

VEUILLEZ CONSERVER LES PRÉSENTES CONSIGNES

Conçu pour une utilisation domestique exclusivement

GARANTIE

PENDANT UN AN à compter de la date de vente, ce produit est garanti contre tout défaut de matériau ou de fabrication lorsqu'il est assemblé, utilisé et entretenu conformément aux instructions fournies.

MUNI D'UNE PREUVE DE VENTE, tout produit défectueux peut être retourné au revendeur aux fins de remplacement gratuit.

Pour connaître les détails de la couverture de la garantie et obtenir un remplacement gratuit, visitez la page Web : www.vacmaster.com ou appelez le 1-866-384-8432.

- Sont exclus de la garantie les filtres ou les courroies, qui sont des pièces à usage unique susceptibles de s'user durant la période de garantie des suites d'un usage normal.
- La présente garantie sera nulle et non avenue en cas d'utilisation éventuelle de ce produit à toutes autres fins que personnelles et privées.
- La présente garantie vous accorde des droits spécifiques légaux, mais vous pouvez également avoir d'autres droits qui varient selon les États.

FICHE TECHNIQUE

Aspirateur vertical sans sac

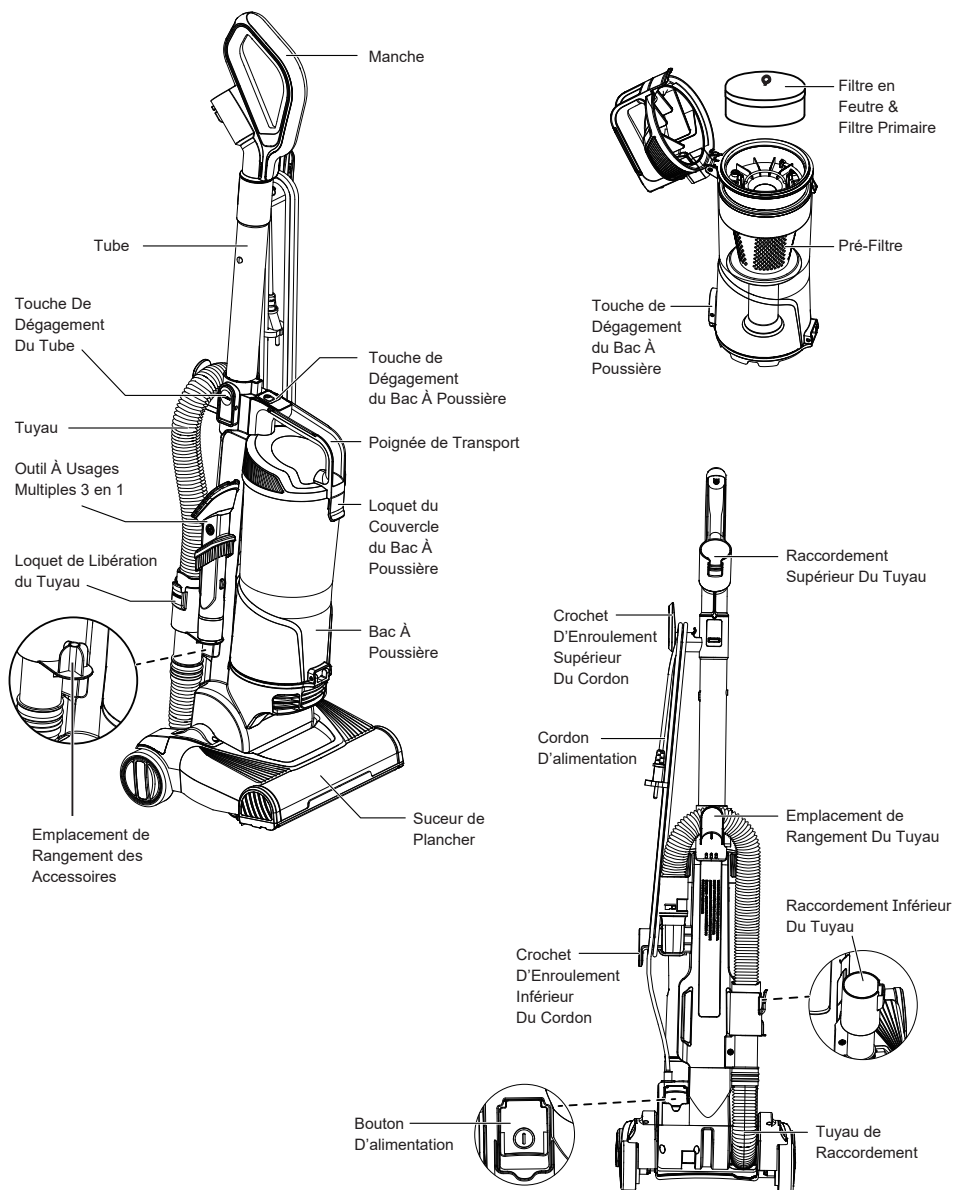
Modèle: UC0501

Tension nominale : 120V AC

Fréquence nominale : 60 hertz

Courant nominal : 7,5A

FAMILIARISEZ-VOUS AVEC VOTRE ASPIRATEUR



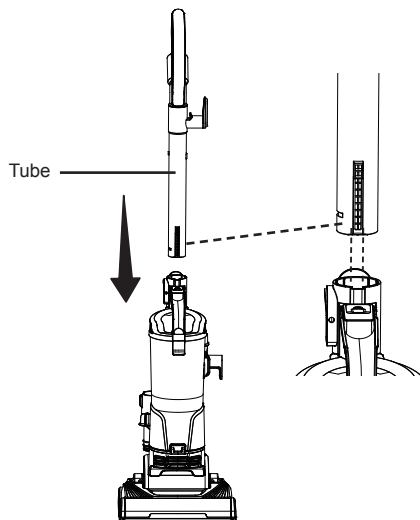
PIÈCES DE RECHANGE

Élément	Pièce N°
Filtre en Feutre & Filtre Primaire	571029102
Filtre en Mousse	571029103
Courroie	571029105
Brosse à Rouleau	571029104
Tuyau	571029101
Outil À Usages Multiples 3 en 1	571029106

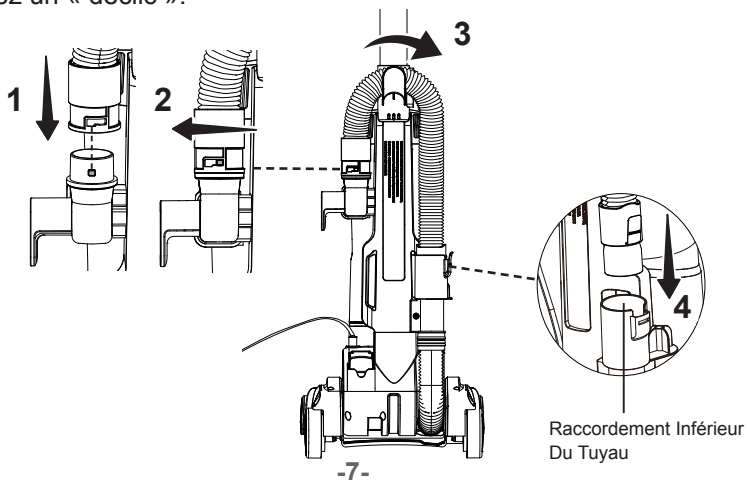
Achetez en ligne à www.vacmaster.com ou appelez le 1-866-384-8432.

INSTRUCTIONS RELATIVES AU MONTAGE GÉNÉRAL

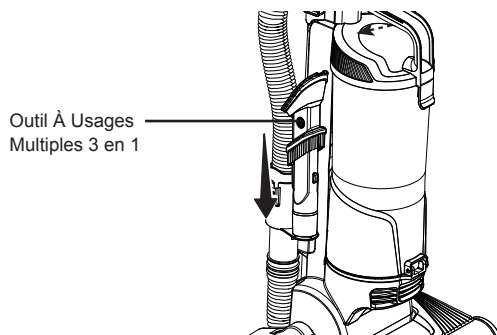
1. Insérez le tube dans le corps principal jusqu'à ce que vous entendiez un « dé clic ».



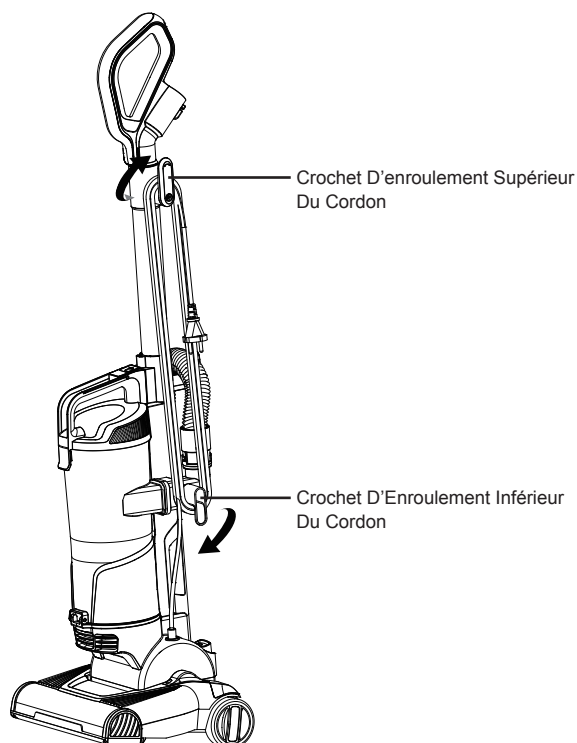
2. Installez le tuyau sur le corps principal. Alignez l'extrémité de verrouillage du tuyau avec le corps principal comme indiqué, et verrouillez l'extrémité du tuyau en le faisant tourner vers la gauche. Faites passer ensuite le tuyau par dessus l'emplacement de rangement du tuyau. Insérez l'autre extrémité du tuyau dans le raccordement inférieur du tuyau, ainsi qu'illustré, jusqu'à ce que vous entendiez un « dé clic ».



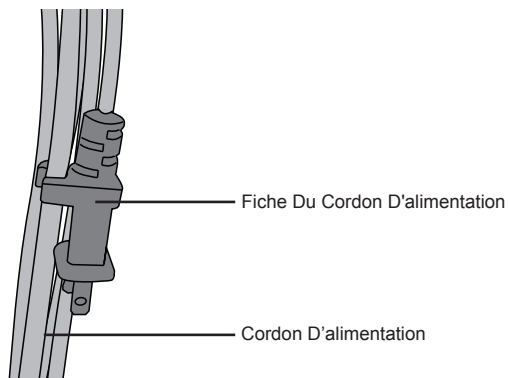
3. Insérez l'outil combiné sur le rangement des accessoires comme indiqué.



4. Assurez-vous que le crochet d'enroulement supérieur du cordon est positionné à la verticale, ainsi qu'illustré. Enroulez le cordon d'alimentation sans le serrer autour des crochets d'enroulement supérieur et inférieur du cordon.



5. Verrouillez la fiche du cordon d'alimentation sur le cordon d'alimentation.



AVERTISSEMENT

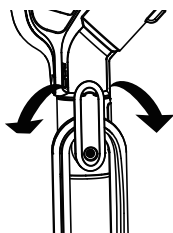
L'enroulement trop serré du cordon soumis à un stress excessif risque d'endommager celui-ci. Un cordon endommagé présente des risques d'électrocution et peut entraîner des blessures corporelles ou des dommages.

INSTRUCTIONS D'UTILISATION

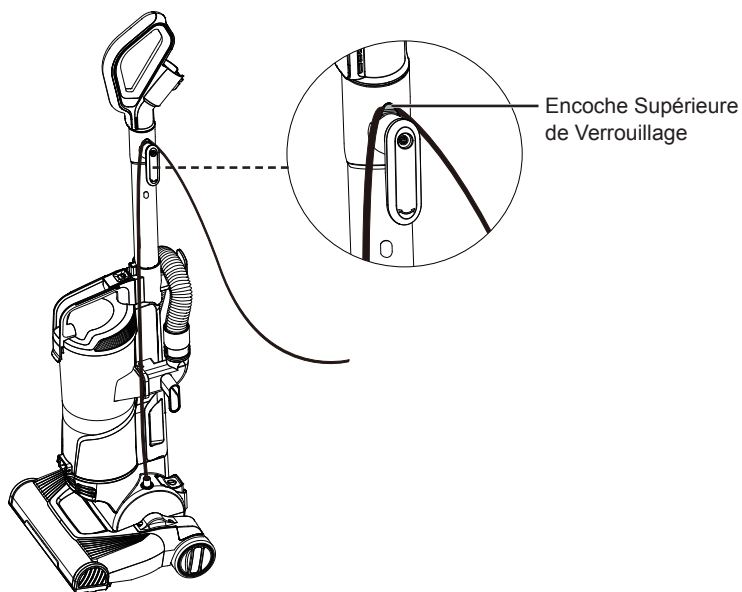
Utilisation de Votre Aspirateur Vertical

REMARQUE : Assurez-vous que l'aspirateur est entièrement monté et que le bac à poussière est vide avant de l'utiliser. Ne pas utiliser l'aspirateur sans filtres en place.

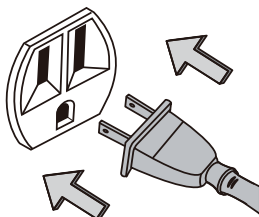
1. Tournez le crochet d'enroulement supérieur du cordon vers un côté ou l'autre pour dégager le cordon d'alimentation.



2. Détachez la fiche du cordon d'alimentation du cordon d'alimentation.
3. Assurez-vous que le cordon d'alimentation est verrouillé dans l'encoche de verrouillage supérieure, ainsi qu'illustré. Cela permet de mieux gérer le cordon d'alimentation lors de l'utilisation de l'aspirateur.



4. Branchez la fiche du cordon d'alimentation à une prise de courant située près du plancher.



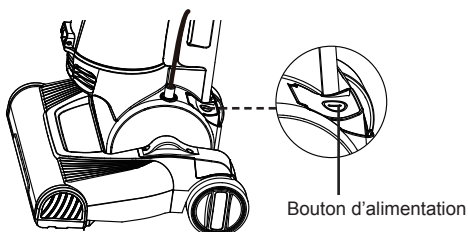
AVERTISSEMENT

Afin de réduire tous risques d'électrocution, cet appareil comporte une prise polarisée (une lame est plus large que l'autre). Il n'y a qu'une façon d'insérer la fiche dans une prise polarisée. Si la fiche ne s'insère pas entièrement dans la prise, inversez la fiche. Si elle ne s'insère toujours pas correctement, contactez un électricien qualifié afin qu'il installe une prise adaptée. Ne modifiez en aucun cas la fiche.

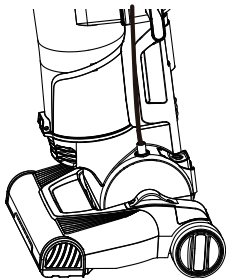
5. Dégagez le manche en plaçant le pied sur le suceur de plancher, puis tirez vers l'arrière pour changer la position du manche.



6. Appuyez du pied sur le bouton d'alimentation pour mettre sous tension l'aspirateur.



7. Au terme de l'aspiration, appuyez à nouveau sur le bouton d'alimentation. Repositionnez le manche à la verticale en le poussant vers l'avant jusqu'à ce que le corps de l'aspirateur soit verrouillé en place. Débranchez le cordon d'alimentation de la prise de courant.



8. Pour ranger le cordon d'alimentation après toute utilisation, tournez le crochet supérieur d'enroulement du cordon pour le positionner à la verticale. Enroulez ensuite le cordon sans le serrer autour des crochets d'enroulement du cordon.

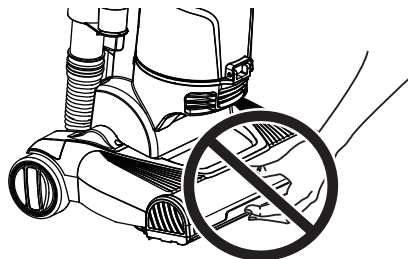
REMARQUE : Pour prolonger la durée de vie de la courroie de la brosse à rouleau, veillez à ce que la brosse à rouleau soit toujours exempte d'accumulation de fibres de moquette, de ficelles ou de poils ou cheveux. En cas d'enchevêtrement de la brosse à rouleau dans des ficelles ou des poils ou cheveux, cessez de l'utiliser, puis nettoyez-la immédiatement.

ATTENTION

Ne pas laisser l'aspirateur rester au même endroit pour quelque durée que ce soit lorsque la brosse à rouleau est en rotation. La moquette risque d'être endommagée.

ATTENTION

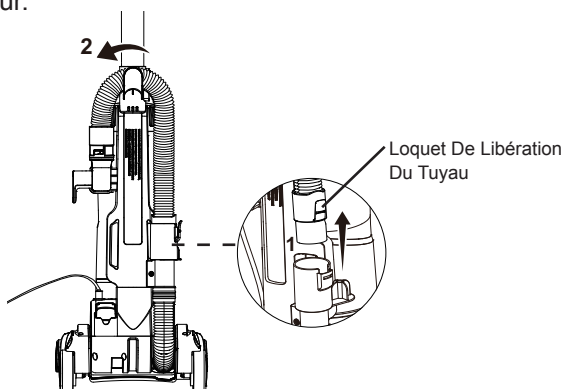
Pièces mobiles! Afin de réduire tout risque de blessures, NE PAS toucher la brosse à rouleau lorsque l'aspirateur est en marche. Tout contact avec la brosse à rouleau en rotation peut provoquer des blessures. Coupez l'alimentation électrique avant de procéder à l'entretien, à la réparation ou au nettoyage de l'aspirateur. Faites preuve de prudence lorsque vous utilisez l'aspirateur en présence d'enfants.



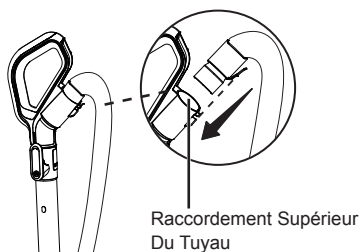
Utilisation de Votre Aspirateur Avec Ses Accessoire

REMARQUE : Le rouleau-brosse continue à tourner lorsque l'aspirateur est utilisé avec des accessoires. NE PAS placer l'aspirateur sur le tapis très épais afin d'éviter d'endommager le tapis.

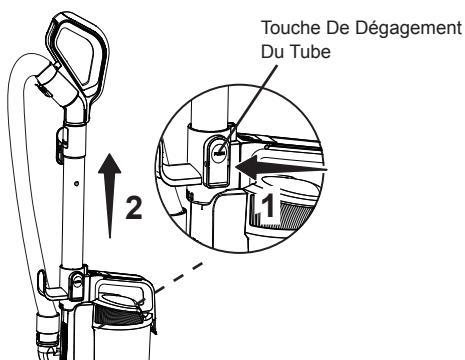
1. Positionnez l'aspirateur verrouillé à la verticale.
2. Appuyez sur le loquet de libération du tuyau et libérez l'extrémité inférieure du tuyau du raccord inférieur.



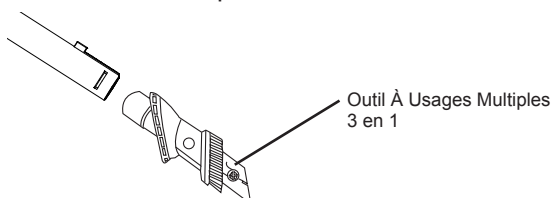
3. Insérez l'extrémité du tuyau dans le raccordement supérieur du tuyau, ainsi qu'illustré, jusqu'à ce que vous entendiez un « déclic ».



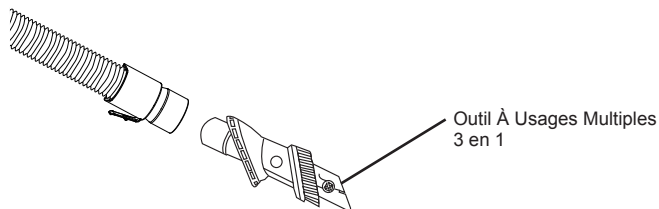
4. Appuyez sur la touche de dégagement du tube, puis soulevez le tube.



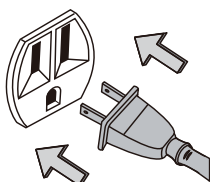
5. Choisissez l'accessoire souhaité, puis insérez-le dans le tube.



REMARQUE : Vous pouvez également utiliser votre aspirateur en insérant l'outil combiné directement dans le tuyau.



6. Branchez la fiche du cordon d'alimentation à une prise de courant située près du plancher.



7. Appuyez du pied sur le bouton d'alimentation pour mettre sous tension l'aspirateur.
8. Au terme de l'aspiration, appuyez à nouveau sur le bouton d'alimentation, puis débranchez le cordon d'alimentation de la prise de courant.

IMPORTANT : Ne pas oublier de réinsérer l'extrémité du tuyau dans le raccordement inférieur du tuyau avant d'utiliser l'aspirateur en mode Vertical.

ATTENTION

Lorsque vous utilisez des accessoires, veillez à ne pas trop tirer sur le tuyau pour éviter de faire basculer l'aspirateur.

ATTENTION

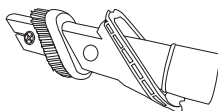
NE PAS tirer l'aspirateur par le tuyau dans la pièce. Cela risque d'entraîner des dommages matériels ou blessures corporelles.

Accessoires

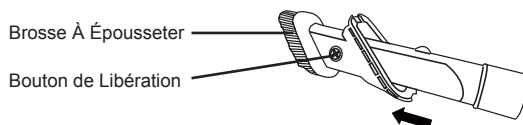
Outil À Usages Multiples 3 en 1

L'outil à usages multiples 3 en 1 peut être fixé à l'extrémité du tube et du tuyau.

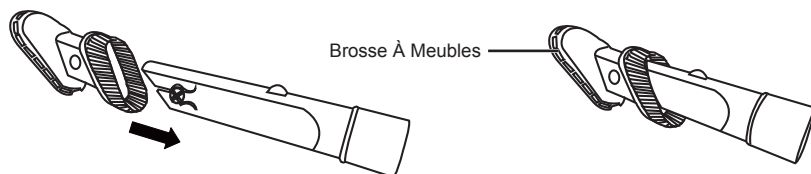
Utilisez l'outil à usages multiples 3 en 1 en mode Suceur plat pour effectuer le nettoyage dans les espaces restreints tels que les meubles, entre les coussins et dans les escaliers.



Mettez l'outil à usages multiples en mode Brosse à épousseter en appuyant sur le bouton de dégagement et en faisant coulisser le côté Brosse à épousseter de la brosse jusqu'à l'extrémité de l'outil à usages multiples. Utilisez le mode Brosse à épousseter pour nettoyer les surfaces instables, notamment les rideaux.



Appuyez sur le bouton de dégagement pour retirer l'outil brosse. Réglez l'outil à usages multiples en mode Brosse à meubles ainsi qu'illustré. Utilisez le mode Brosse à meubles pour nettoyer les surfaces en tissu, notamment les canapés en tissu.



Pour remettre l'outil à usages multiples en mode Suceur plat, appuyez sur le bouton de dégagement, puis faites glisser l'outil brosse vers la partie inférieure de l'outil à usages multiples.

REMARQUE : Toujours nettoyer les accessoires avant de les utiliser sur des tissus.

Rangement de l'aspirateur

1. Assurez-vous que le tuyau est verrouillé en place et que l'accessoire est rangé à bord.
2. Rassemblez le cordon, puis enroulez-le sans le serrer autour des crochets d'enroulement supérieur et inférieur du cordon. Verrouillez la fiche du cordon d'alimentation sur le cordon d'alimentation.
3. Rangez l'aspirateur dans un endroit sec, à l'intérieur, sur le plancher, avec le manche verrouillé à la verticale.

ENTRETIEN DE VOTRE ASPIRATEUR

ATTENTION

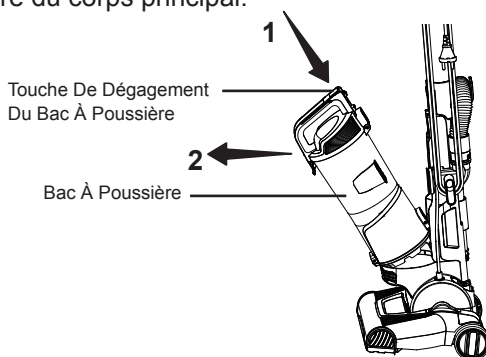
Pour réduire le risque d'électrocution, éteignez et débranchez le cordon d'alimentation avant d'effectuer tout entretien ou toute maintenance sur votre aspirateur.

REMARQUE : Utilisez un chiffon sec pour nettoyer l'extérieur de l'appareil. Ne laissez aucun liquide pénétrer dans l'appareil. Lavez les accessoires à l'eau tiède savonneuse, rincez-les, puis laissez-les sécher à l'air libre. Ne pas nettoyer au lave-vaisselier.

Vidange Du Bac À Poussière

REMARQUE : Pour obtenir des performances optimales, videz le bac à poussière après chaque utilisation. Ne jamais utiliser l'aspirateur sans que le bac à poussière et les filtres soient en place.

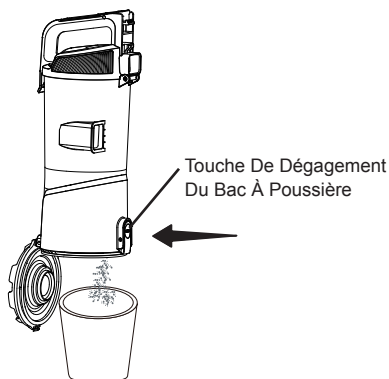
1. Appuyez sur la touche de dégagement du bac à poussière pour retirer le bac à poussière du corps principal.



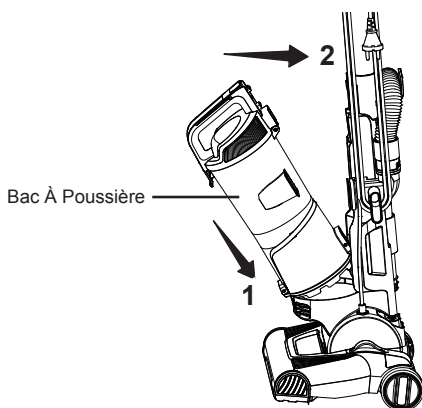
2. Enlevez toute obstruction qui pourrait se trouver dans la zone de l'orifice d'aspiration ou de l'orifice du filtre.



3. Placez la zone du bac à poussière de l'aspirateur au-dessus d'une poubelle. Appuyez sur la touche de dégagement du bac à poussière pour ouvrir le couvercle du bac à poussière, puis renversez le contenu du bac dans la poubelle.



4. Secouez le bac à poussière pour dégager tous les débris susceptibles de s'accrocher au pré-filtre.
5. Réinstallez et insérez le bac à poussière dans les fentes situées dans la partie inférieure du corps principal, puis enfoncez le bac à poussière dans la fente verrouillée et faites-le cliquer en place.

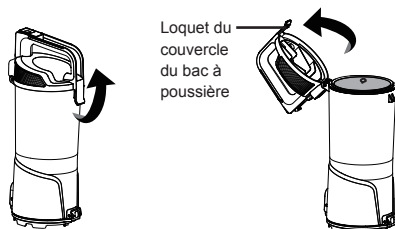


Nettoyage Du Filtre En Feutre Et Du Filtre Primaire

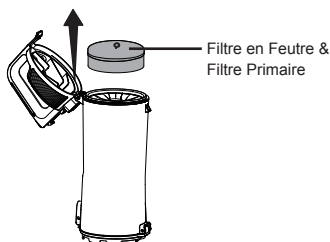
Le filtre en feutre et le filtre primaire sont fixés ensemble et situés à l'intérieur du couvercle du bac à poussière.

Il est recommandé de nettoyer le filtre en feutre et le filtre primaire à l'eau froide au moins une fois par mois. Vérifiez fréquemment le filtre en feutre et le filtre primaire et nettoyez-les lorsqu'ils sont sales.

1. Retirez le bac à poussière ainsi qu'illustré dans la section **Vidange du bac à poussière**.
2. Tenez le bac à poussière, tirez sur le loquet du couvercle du bac à poussière et ouvrez le couvercle.



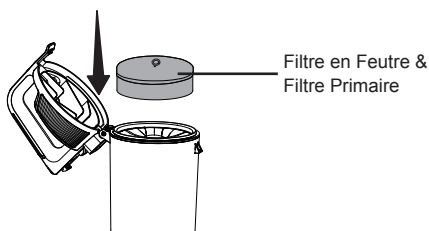
3. Retirez le filtre en feutre et le filtre primaire du bac à poussière à l'aide de la petite languette fixée sur le filtre.



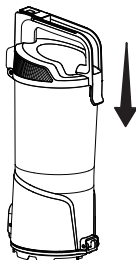
4. Utilisez une brosse douce pour enlever les débris du filtre en feutre et du filtre primaire, puis rincez à l'eau froide. NE PAS utiliser de détergents ou du savon. Rincez et essorez doucement les filtres. Mettez-les de côté et laissez-les sécher à l'air libre pendant 24 heures.

IMPORTANT : Les filtres doivent sécher complètement avant d'être réutilisés.

5. Remplacez le filtre primaire et le filtre en feutre dans le bac à poussière.



6. Fermez le couvercle du bac à poussière jusqu'à ce que vous entendiez un clic.



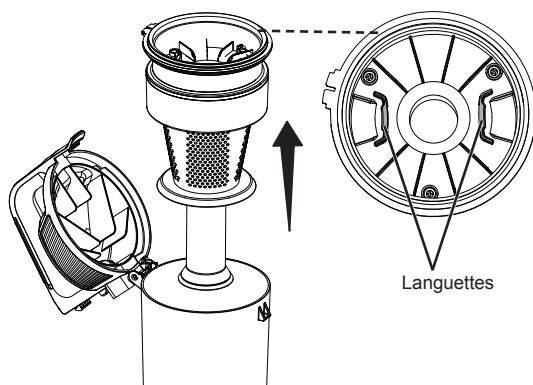
7. Réinstallez le bac à poussière dans le corps principal. Voir les instructions d'installation données dans la section **Vidange Du Bac À Poussière**.

Nettoyage Du Pré-Filtre

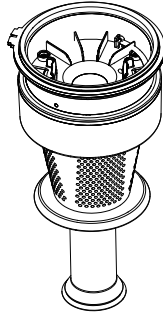
Le pré-filtre se trouve à l'intérieur du récupérateur de poussières. Vérifiez fréquemment le pré-filtre et nettoyez-le lorsqu'il est sale.

REMARQUE : Assurez-vous que le bac à poussière est exempt de débris avant de l'ouvrir.

1. Ouvrez le couvercle du bac à poussière et retirez le filtre en feutre et le filtre primaire comme indiqué dans la section **Nettoyage Du Filtre En Feutre Et Du Filtre Primaire**.
2. Soulevez le pré-filtre du bac à poussière en utilisant les deux languettes.



3. Nettoyez les cheveux et autres débris enroulés autour du pré-filtre. Nettoyez le pré-filtre en le tapotant en douceur au-dessus d'une poubelle. Tapotez sur plusieurs côtés afin de garantir un nettoyage optimal.

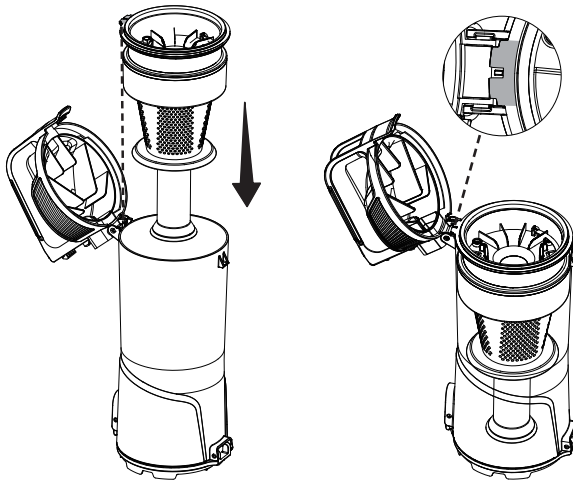


4. Au besoin, rincez-le à l'eau froide uniquement. NE PAS utiliser de détergents ou du savon. Mettez le pré-filtre de côté et laissez-le sécher à l'air libre pendant 24 heures.

NE PAS laver le filtre au lave-vaisselle. NE PAS l'installer s'il est humide.

IMPORTANT : Les filtres doivent sécher complètement avant d'être réutilisés.

5. Réinstallez le pré-filtre dans le bac à poussière. Assurez-vous que le pré-filtre est mis en place comme indiqué.



6. Réinstallez le filtre primaire et le filtre en feutre. Voir les instructions d'installation dans la section **Nettoyage Du Filtre en Feutre Et Du Filtre Primaire**.

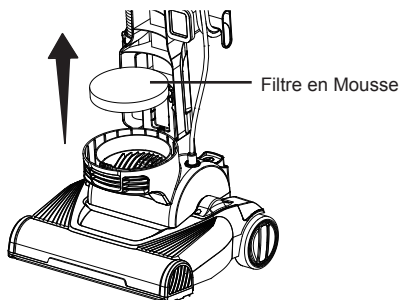
Nettoyage Du Filtre En Mousse

Il est recommandé de nettoyer le filtre en mousse à l'eau froide tous les trois mois.

REMARQUE : Lorsque le nettoyage du filtre en mousse ne permet plus de rétablir la puissance d'aspiration de l'aspirateur, ou si le filtre est usé ou cassé, remplacez le filtre.

Nettoyez et remplacez régulièrement le filtre pour que la puissance d'aspiration de l'aspirateur reste optimale.

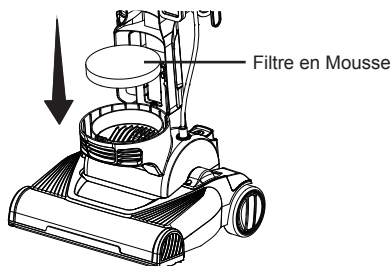
1. Retirez le bac à poussière ainsi qu'illustré dans la section **Vidange Du Bac À Poussière**.
2. Retirez le filtre en mousse.



3. Lavez-le à l'eau froide uniquement. **NE PAS** utiliser de détergents ou du savon. Pressez-le à la main, puis laissez-le sécher à l'air libre. Laissez les filtres sécher 24 heures avant de les remettre dans l'aspirateur.

REMARQUE : **NE FAITES PAS** fonctionner l'appareil sans filtre en mousse installé. **NE PAS** laver le filtre au lave-vaisselle. N'installez **PAS** le filtre en mousse s'il est humide.

4. Remplacez le filtre en mousse dans l'aspirateur.



5. Réinstallez le bac à poussière. Voir la section **Vidange Du Bac À Poussière**.

Remplacement de La Courroie

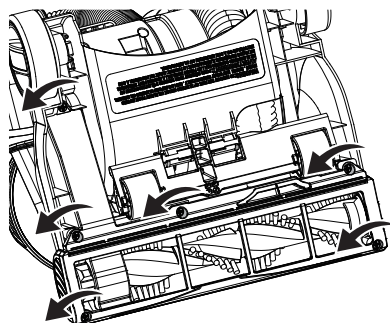
Remplacez la courroie chaque fois qu'une odeur de caoutchouc brûlé causée par un glissement excessif se fait sentir.



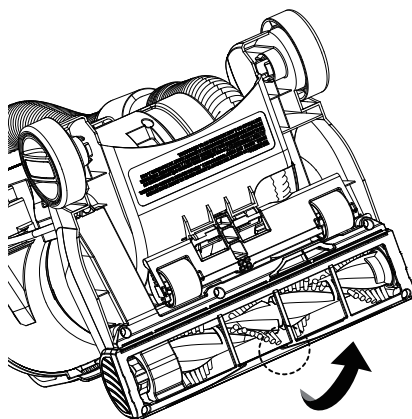
AVERTISSEMENT

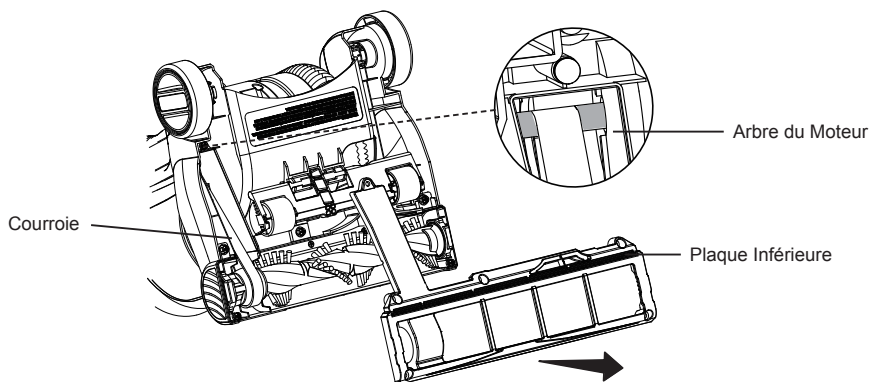
Débranchez toujours le cordon d'alimentation de la prise électrique avant d'effectuer tous travaux d'entretien sur l'aspirateur.

1. Posez l'aspirateur sur le plancher, la partie inférieure orientée vers le haut et le suceur de plancher à plat.
2. Utilisez un tournevis cruciforme pour retirer les six vis de la plaque inférieure.



3. Retirez avec précaution la plaque inférieure de la buse de plancher. Assurez-vous de saisir seulement la section centrale à l'avant de la plaque inférieure, comme indiqué, pour éviter d'endommager la plaque inférieure.

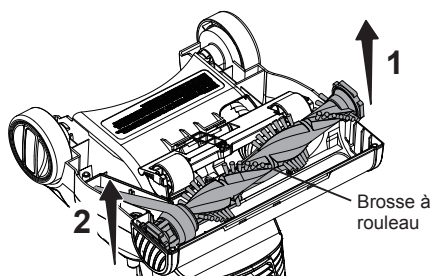




! ATTENTION

L'arbre du moteur peut être chaud.

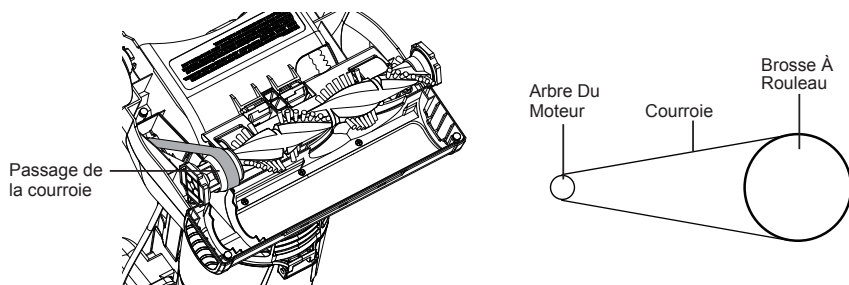
4. Retirez la brosse à rouleau en la soulevant avec précaution.



5. Retirez la courroie usée ou cassée.

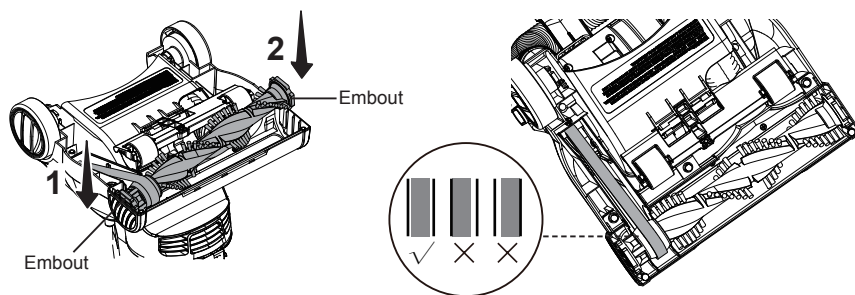
6. Utilisez des ciseaux pour éliminer tous les poils ou cheveux emmêlés autour de la brosse à rouleau. Nettoyez tous les débris du suceur de plancher.

7. Passez la courroie neuve autour de l'arbre du moteur et du passage de la courroie sur la brosse à rouleau.



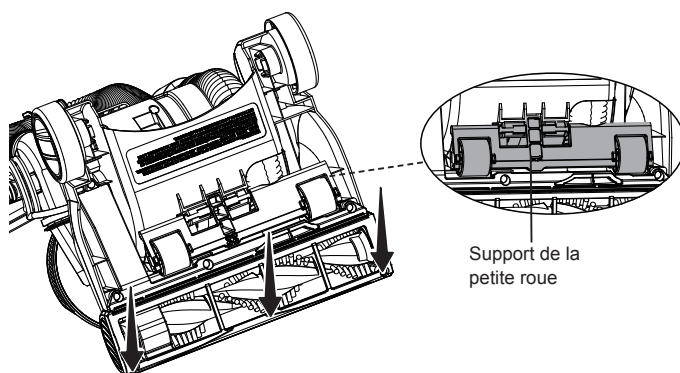
8. Réinstallez la brosse à rouleau dans le suceur de plancher en plaçant les embouts dans les fentes. Alignez en premier lieu l'embout du côté courroie de la brosse à rouleau sur la fente, puis insérez-le en place. Appuyez ensuite fermement sur l'embout du côté sans courroie dans la fente, ainsi qu'illustré ci-dessous. Faites tourner la brosse à rouleau pour vous assurer que la courroie est correctement installée.

REMARQUE : Assurez-vous que la courroie est convenablement centrée dans le passage de la courroie, ainsi qu'illustré.



9. Réinstallez la plaque inférieure en alignant en premier lieu les languettes situées sur le bord avant de la plaque inférieure sur les fentes du suceur, puis appuyez sur la plaque inférieure en position installée.

REMARQUE : Assurez-vous que le support de la petite roue est correctement fixé par la plaque inférieure et ne peut être soulevé.



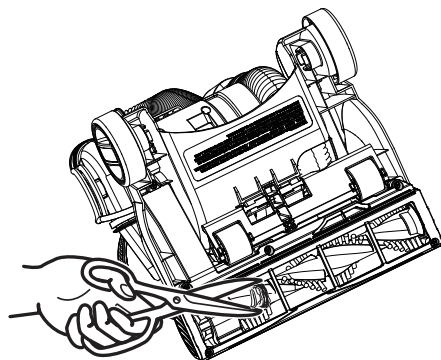
10. Réinstallez les six vis dans la plaque inférieure. Ne pas serrer les vis excessivement.

Nettoyage De La Brosse À Rouleau

AVERTISSEMENT

Débranchez toujours le cordon d'alimentation de la prise électrique avant d'effectuer tous travaux d'entretien sur l'aspirateur.

Pour que le nettoyage soit efficace, la brosse à rouleau doit être exempte d'accumulation de fibres de moquettes, de ficelles ou de poils ou cheveux. Lorsqu'il est sale, débranchez et éteignez l'aspirateur et vérifiez que le rouleau-brosse n'est pas encombré de fibres et de cheveux. Utilisez des ciseaux pour éliminer toute accumulation de fibres, de poils ou cheveux empêtrés autour de la brosse à rouleau. Nous vous recommandons de nettoyer régulièrement la brosse à rouleau afin d'obtenir des résultats optimaux.



Élimination Des Obstructions

AVERTISSEMENT

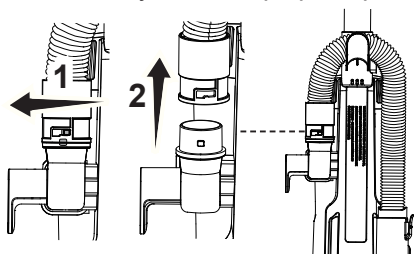
Coupez l'alimentation électrique avant d'éliminer les obstructions. Le non-respect de cette disposition vous expose à des risques d'électrocution ou à des blessures corporelles.

Vérification de la présence d'obstructions dans le tuyau:

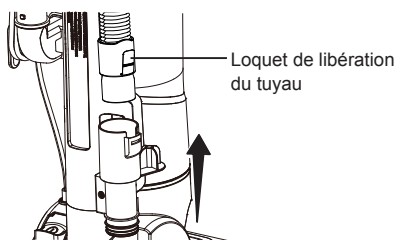
S'il y a un bruit anormal perceptible lors de l'utilisation de l'aspirateur ou si la puissance d'aspiration chute soudainement, il est nécessaire de vérifier la présence d'obstructions dans le tuyau.

Vérifiez fréquemment l'état du conduit d'air afin de vous assurer de l'absence de toutes obstructions.

1. Retirez les extrémités du tuyau du corps principal.



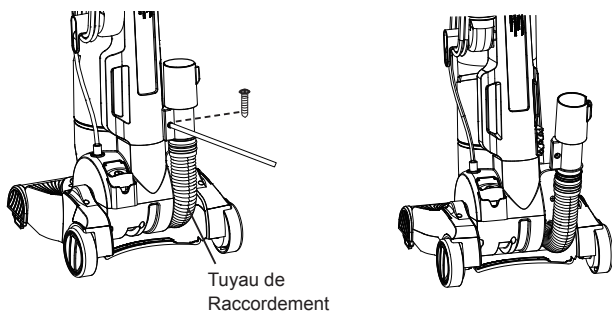
2. Retirez l'autre extrémité du tuyau et le raccord inférieur du tuyau en appuyant sur le loquet de libération du tuyau.



3. Vérifiez et éliminez toutes les obstructions présentes dans le tuyau.
4. Réinstallez le tuyau sur l'aspirateur. Voir la section **INSTRUCTIONS RELATIVES AU MONTAGE GÉNÉRAL** (page 7).

Vérification de la présence d'obstructions dans le tuyau de raccordement:

1. Vérifiez la présence d'obstructions éventuelles dans le tuyau de raccordement, puis éliminez-en celles-ci, le cas échéant.
2. Si nécessaire, dégagez le tuyau de raccordement en retirant une vis à l'aide d'un tournevis cruciforme et vérifiez la présence d'obstructions éventuelles.



3. Réinstallez le tuyau de raccordement, puis fixez-le à l'aide de la vis. Ne pas serrer excessivement la vis.

DÉPANNAGE

Si vous rencontrez un ou plusieurs problèmes avec votre aspirateur, consultez le tableau ci-dessous pour trouver des solutions aux problèmes de performance mineurs.



AVERTISSEMENT

Coupez l'alimentation électrique avant d'effectuer l'entretien de l'aspirateur. Le non-respect de cette disposition vous expose à des risques d'électrocution ou à des blessures corporelles.

PROBLÈME	CAUSE POSSIBLE	SOLUTION
L'aspirateur ne se met pas en marche.	La fiche n'est pas branchée dans la prise murale.	Assurez-vous que la fiche du cordon d'alimentation est bien branchée dans la prise.
	Le bouton d'alimentation n'a pas été appuyé pour démarrer l'aspirateur.	Appuyez sur le bouton d'alimentation pour démarrer l'aspirateur.
	Le corps de l'aspirateur est surchauffé.	Débranchez le cordon d'alimentation, puis laissez refroidir l'aspirateur pendant 50 minutes.
	Le moteur est endommagé.	Veillez composer le numéro 1-866-384-8432 pour obtenir de l'aide.
Mauvaise récupération des saletés.	Le tuyau ou les accessoires ne sont pas installés correctement.	Vérifiez l'état du tuyau et des accessoires afin de vous assurer qu'ils sont correctement installés et fermement enclenchés.
	Le bac à poussière n'est pas installé correctement.	Vérifiez l'état du bac à poussière afin de vous assurer qu'il est correctement installé et fermement enclenché.
	Bac à poussière plein ou obstrué.	Videz le bac à poussière.
	Le tuyau ou le tuyau de raccordement de l'aspirateur est bouché.	Vérifiez la présence d'obstructions éventuelles dans le conduit d'air, puis éliminez-en toutes celles-ci, le cas échéant. Suivez les instructions données en page 26-27.

	Le filtre en feutre, le filtre primaire ou le pré-filtre doit être nettoyé.	Suivez les instructions de nettoyage du filtre données en page 18-21.
	Le filtre en feutre et le filtre primaire doivent être remplacés.	Achetez en ligne à www.vacmaster.com ou appelez le 1-866-384-8432.
	Le filtre en mousse doit être nettoyé ou remplacé.	Nettoyez ou remplacez le filtre en mousse. Suivez les instructions de nettoyage du filtre en mousse à la page 22.
	Le tuyau est usé.	Remplacez le tuyau. Achetez en ligne à www.vacmaster.com ou appelez le 1-866-384-8432.
	Le tuyau de raccordement est usé.	Veillez composer le numéro : 1-866-384-8432 pour obtenir de l'aide.
	La brosse à rouleau est usée.	Veillez composer le numéro 1-866-384-8432 pour obtenir de l'aide.
	La courroie est usée ou brisée.	Remplacez la courroie. Achetez en ligne à www.vacmaster.com ou appelez le 1-866-384-8432.
De la poussière s'échappe de l'aspirateur.	Le bac de poussière est mal installé.	Positionnez correctement le bac à poussière, puis enclenchez-le fermement en place.
	Le filtre en feutre et le filtre primaire sont absents ou mal installés.	Vérifiez que les filtres sont correctement installés. Suivez les instructions données en page 18-20.
	Le filtre en feutre ou le filtre primaire est endommagé et doit être remplacé.	Remplacez le filtre en feutre et le filtre primaire. Achetez en ligne à www.vacmaster.com ou appelez le 1-866-384-8432.
	Le pré-filtre est endommagé.	Veillez composer le numéro 1-866-384-8432 pour obtenir de l'aide.

	Le filtre en mousse doit être nettoyé ou remplacé.	Nettoyez ou remplacez le filtre en mousse. Suivez les instructions de nettoyage du filtre en mousse à la page 22.
La brosse à rouleau ne tourne pas ou dégage une odeur de brûlé.	La brosse à rouleau est bloquée.	Vérifiez s'il y a des débris sur la brosse à rouleau. Éliminez l'obstruction. Suivez les instructions données en page 26.
	La brosse à rouleau n'est pas installée correctement.	Retirez la brosse à rouleau, puis réinstallez-la. Suivez les instructions données en page 23-25.
	La courroie n'est pas acheminée correctement.	Vérifiez le passage de la courroie à la page 23-25.
	La courroie est usée ou brisée.	Remplacez la courroie cassée ou déformée. Achetez en ligne à www.vacmaster.com ou appelez le 1-866-384-8432.
Réduction du débit d'air avec les accessoires utilisés; le son change.	Le conduit d'air est bouché.	Vérifiez la présence d'obstructions éventuelles dans le conduit d'air, puis éliminez-en celles-ci et nettoyez le conduit d'air. Suivez les instructions données en page 26-27.
	Les accessoires utilisés peuvent réduire le débit d'air.	Vérifiez l'état des accessoires afin de détecter la présence de duvets, de peluches, de poils d'animaux familiers ou de tous autres débris.
L'aspirateur se met hors tension tout seul.	La fiche du cordon d'alimentation s'est détachée de la prise de courant lors de l'utilisation de l'aspirateur.	Réinsérez la fiche du cordon d'alimentation à fond dans la prise de courant. Évitez de tirer ou de traîner le cordon d'alimentation lorsque vous utilisez l'aspirateur.
	Le moteur est endommagé.	Veillez composer le numéro 1-866-384-8432 pour obtenir de l'aide.