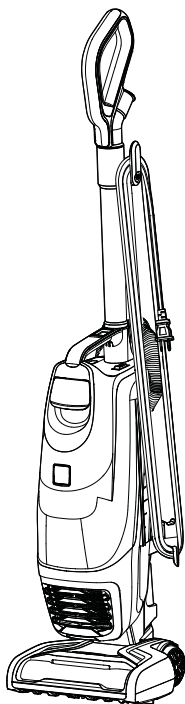




CAPTURA

Use & Care Guide
Manuel D'entretien Et D'utilisation
Manual de Uso Y Cuidado



Bagged Upright Vacuum Cleaner

Model No / Référence de Modèle / N° de Modelo.

UB0302E

www.vacmaster.com

Distributed By / Distribué Par / Distribuido Por:

Suzhou Cleva Electric Appliance Co., Ltd.

No.8 Ting Rong Street

Suzhou Industrial Park, Suzhou

Jiangsu Province, China

Made in China



TABLE OF CONTENTS

SECTION	PAGE
Important Safety Instructions.....	3
Warranty.....	4
Technical Data.....	4
Getting To Know Your Vacuum.....	5
General Assembly Instructions.....	7
Operating Instructions.....	10
Maintaining Your Vacuum.....	18
Troubleshooting.....	25

Thank you for purchasing this Vacmaster® vacuum cleaner. With it you are obtaining a high-quality product that is engineered for optimal performance.

FOR YOUR SAFETY

Read and understand this manual before use.

Keep this manual and your sales check (receipt) in a safe place for future reference.

IMPORTANT SAFETY INSTRUCTIONS

When using an electrical appliance, basic precautions should always be followed, including the following:

READ ALL INSTRUCTIONS BEFORE USING THIS VACUUM CLEANER

Failure to follow the warnings and instructions may result in electric shock, fire and/or serious injury.



WARNING - To reduce the risk of fire, electric shock, or injury:

- Do not leave appliance when plugged in. Unplug from outlet when not in use and before servicing.
- Do not use outdoors or on wet surfaces.
- Do not allow to be used as a toy. Close attention is necessary when used by or near children.
- Use only as described in this manual. Use only manufacturer's recommended attachments.
- Do not use with damaged cord or plug. If appliance is not working as it should, has been dropped, damaged, left outdoors, or dropped into water, contact with customer service.
- Do not pull or carry by cord, use cord as a handle, close a door on cord, or pull cord around sharp edges or corners. Do not run appliance over cord. Keep cord away from heated surfaces.
- Do not unplug by pulling on the cord. To unplug, grasp the plug, not the cord.
- Do not handle plug or appliance with wet hands.
- Do not put any objects into openings. Do not use with any opening blocked; keep free of dust, lint, hair, and anything that may reduce air flow.
- Keep hair, loose clothing, fingers, and all parts of body away from openings and moving parts.
- Turn off all controls before unplugging.
- Use extra care when cleaning on stairs.
- Do not put vacuum cleaner on chairs, tables, etc. Keep unit on the floor.
- Do not use vacuum cleaner to pick up flammable or combustible liquids, such as gasoline, or use in areas where they may be present.
- Do not pick up anything that is burning or smoking, such as cigarettes, matches, or hot ashes.
- Do not use vacuum cleaner without dust bag and/or filters in place.

SAVE THESE INSTRUCTIONS

Household use only

WARRANTY

FOR ONE YEAR from the date of sale, this product is warranted against defects in material or workmanship when it is assembled, operated and maintained according to all supplied instructions.

WITH PROOF OF SALE, a defective appliance will be replaced free of charge. For warranty coverage details to obtain free replacement, visit the web page: www.vacmaster.com or call 1-866-384-8432.

- This warranty does not cover filters or belt, which are expendable parts that can wear out from normal use within the warranty period.
- This warranty is void if this product is ever used for other than private household purposes.
- This warranty gives you specific legal rights, and you may also have other rights which vary from state to state.

TECHNICAL DATA

Bagged Upright Vacuum Cleaner

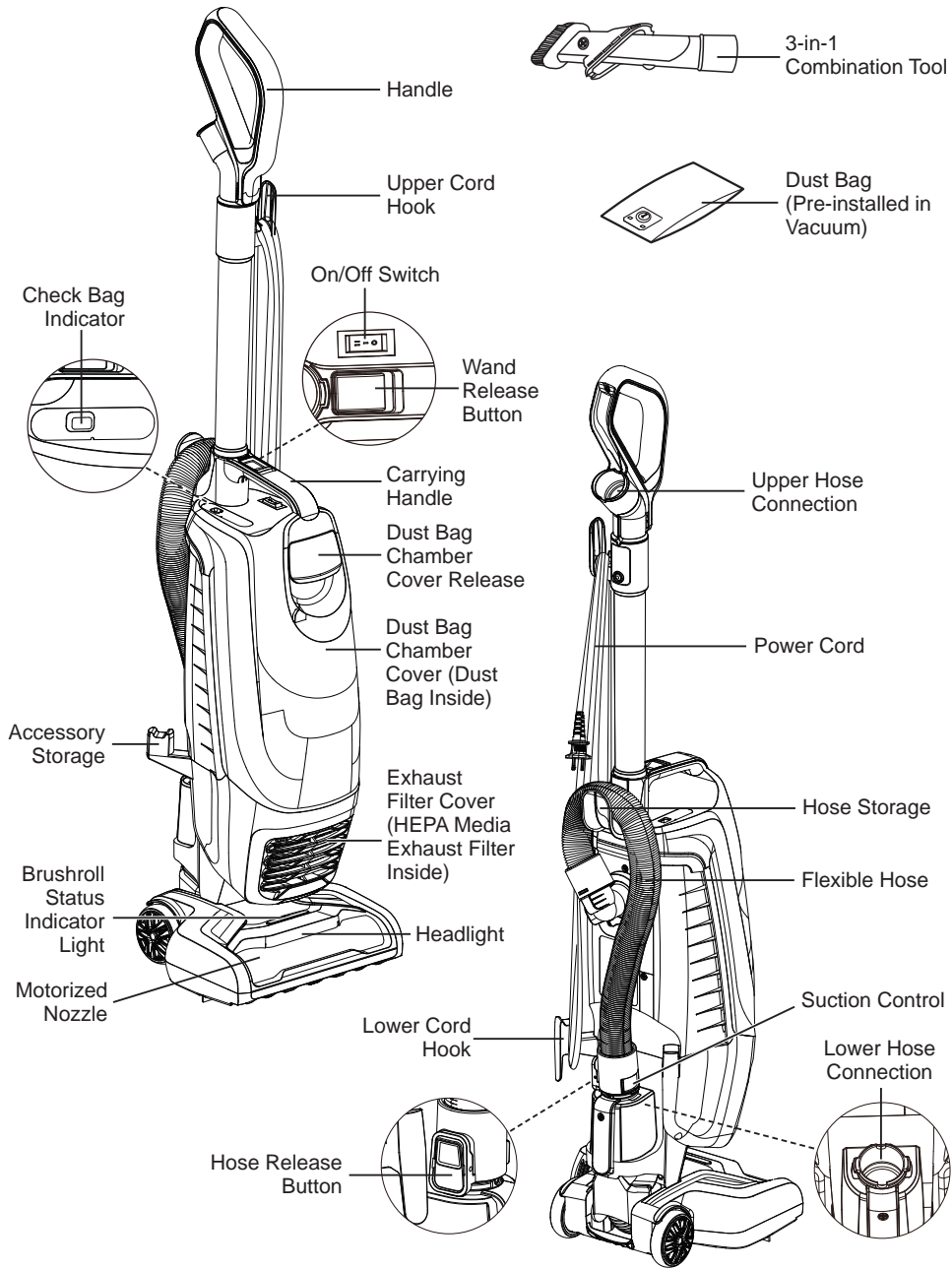
Model: UB0302E

Rated Voltage: 120V AC

Rated Frequency: 60Hz

Nominal Current: 8.0A

GETTING TO KNOW YOUR VACUUM



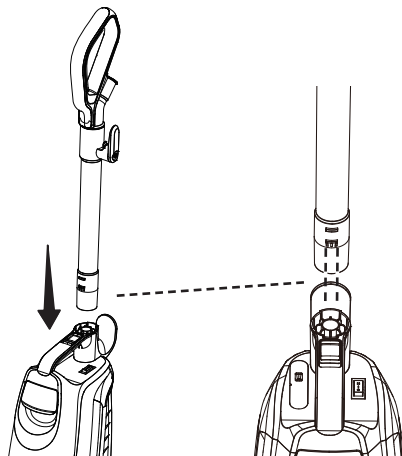
Replacement Parts

Item	Part No.
Foam Filter	561060125
HEPA Media Exhaust Filter	561055118
3-in-1 Combination Tool	571034106
Dust Bag (6-pack)	521355
Flexible Hose	571034107
Handle	571034101
Filter Kit (HEPA Exhaust + Foam Filter)	561060184

Available online at www.vacmaster.com or call 1-866-384-8432.

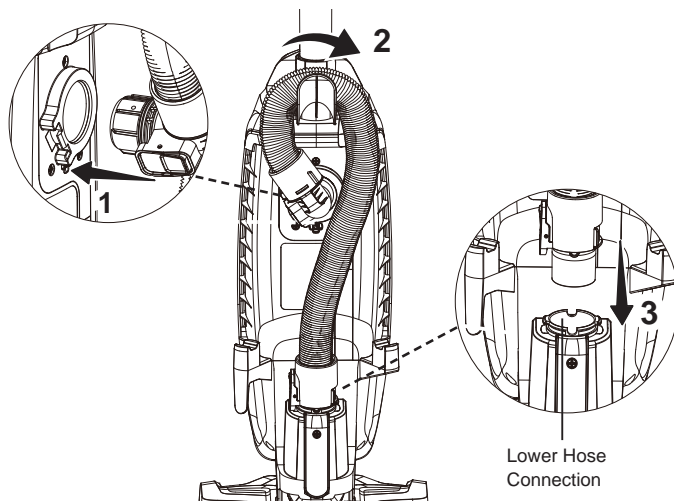
GENERAL ASSEMBLY INSTRUCTIONS

1. Insert the handle into the main body until you hear a 'click'.

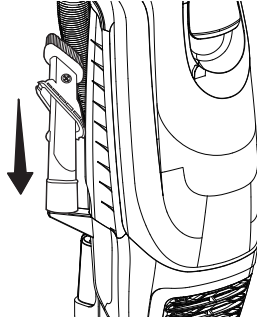


2. Insert the right-angle end of the flexible hose into the main body as shown until you hear a 'click'. Then run the flexible hose over the hose storage. Insert the other end of the hose into the lower hose connection as shown until you hear a 'click'.

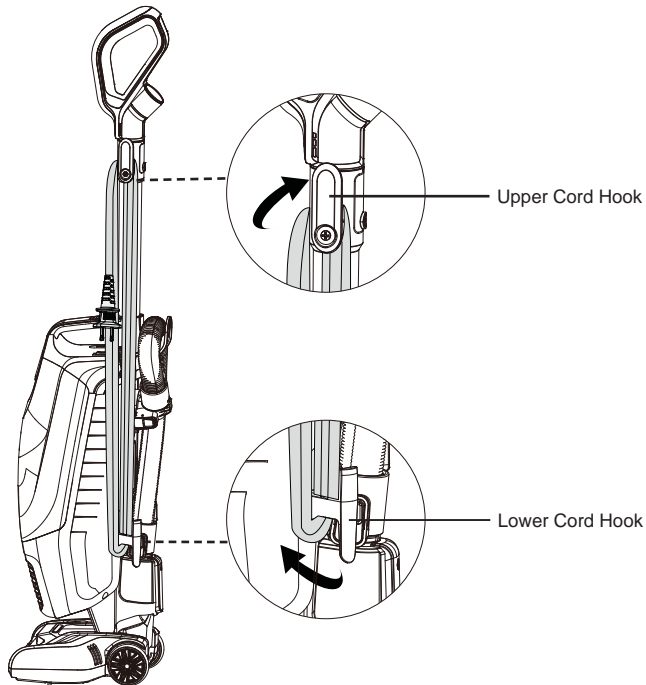
NOTE: It is recommended to slightly rotate the hose end when inserting the hose. Make sure both hose ends are clicked into place.



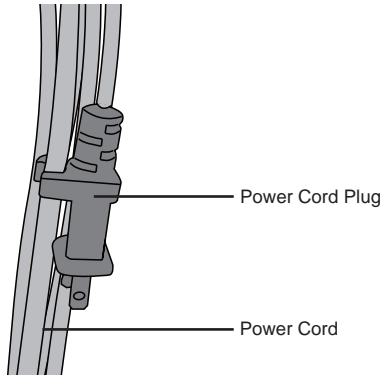
3. Insert the combination tool onto the accessory storage as shown.



4. Make sure the upper and lower cord hooks are in the proper position as shown. Wrap the power cord loosely around the upper and lower cord hooks.
NOTE: Make sure to wrap the power cord around the upper cord hook first, and then around the lower cord hook to avoid damaging the power cord.



5. Lock power cord plug onto the power cord.



 **WARNING**

Wrapping the cord too tightly with excessive stress on the cord may cause cord damage. A damaged cord is an electrical shock hazard and could cause personal injury or damage.

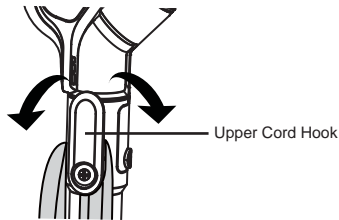
OPERATING INSTRUCTIONS

Using Your Upright Vacuum Cleaner

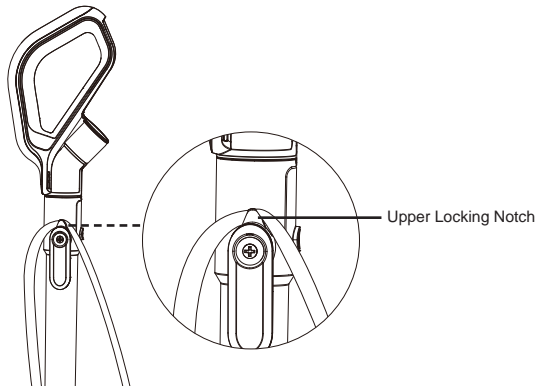
NOTE: Make sure the vacuum cleaner is completely assembled. Do not operate vacuum cleaner without dust bag in place.

NOTE: Make sure the flexible hose is installed correctly into the main body (page 7).

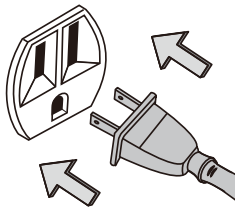
1. Turn the upper cord hook to either side and down to release the power cord.



2. Detach the power cord plug from the power cord.
3. Be sure the power cord is locked into the upper locking notch as shown. This will help manage the power cord when operating the vacuum cleaner.



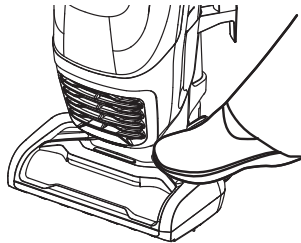
4. Plug the power cord into an outlet located near the floor.



⚠ WARNING

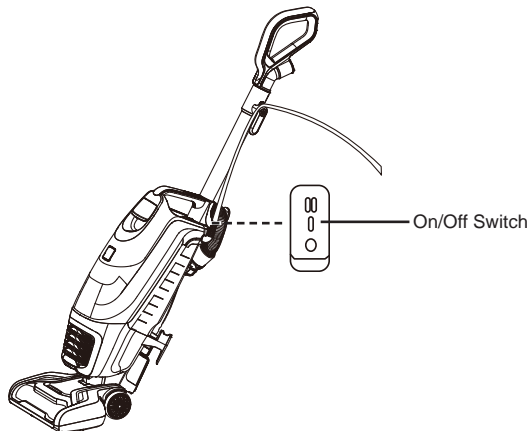
To reduce the risk of electric shock, this appliance has a polarized plug (one blade is wider than the other). This plug will fit in a polarized outlet only one way. If the plug does not fit fully in the outlet, reverse the plug. If it still does not fit, contact a qualified electrician to install the proper outlet. Do not change the plug in any way.

5. Release the handle by placing a foot on the nozzle and pulling back to change the handle position.



6. Turn on the vacuum cleaner by pressing the On/Off switch to the “I” position for cleaning bare floors and small area rugs.

NOTE: The brushroll does not rotate when the vacuum cleaner is in the “I” position.



7. Press the switch to the “II” position for cleaning carpets or rugs.

NOTE: The brushroll rotates when the vacuum cleaner is in the “II” position.

8. Once you have completed vacuuming, switch to the “O” position and unplug the power cord from the power outlet.

NOTE: Select the right mode when using this vacuum cleaner. Do not press the switch to the “II” position when cleaning the bare floor, otherwise it could potentially damage the floor.

9. To store power cord after use, turn the upper cord hook to the upright position. Then wrap cord loosely around cord hooks.

CAUTION

Do not allow the vacuum cleaner to remain in one spot for any length of time when the brushroll is turning. Damage to carpet may occur.

CAUTION

Moving parts! To reduce the risk of personal injury, DO NOT touch the brushroll in the floor nozzle when the vacuum is on. Contacting the brushroll while it is rotating can cause injuries. Disconnect electrical supply before servicing or cleaning the vacuum cleaner. Use caution when operating near children.



CHECK BAG INDICATOR

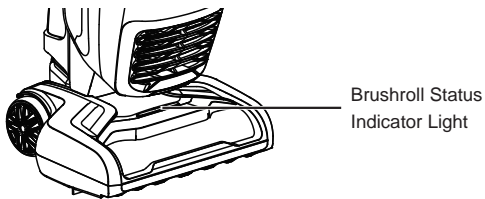
When the vacuum cleaner is running with normal air flow, the CHECK BAG indicator is green. The indicator turns to dark red whenever the airflow becomes blocked.

If that occurs, check the disposable dust bag, the filter, and the air path for possible clog locations shown in Removing Clogs (page 23).

NOTE: The indicator may activate when using certain attachments due to reduced airflow through attachment.

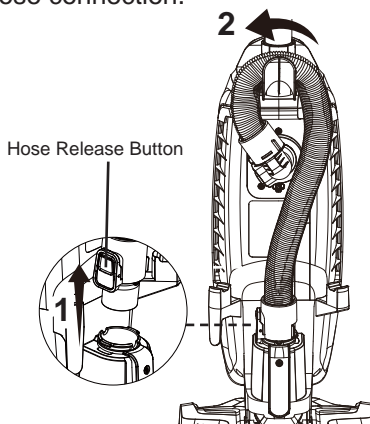
BRUSHROLL STATUS INDICATOR LIGHT

Brushroll Status Indicator Light	Status
Green, Continuous	The brushroll is spinning and working as it should.
Red, Continuous	There is a jam in the brushroll area. Turn off and unplug the vacuum, and remove any blockages in the nozzle.
	The brushroll motor is overheated. Turn off and unplug the vacuum. Check and clear the air path to make sure it is free of obstructions. Check and change the dust bag if full. Then plug in vacuum and turn it on.
No Light	The brushroll is off.

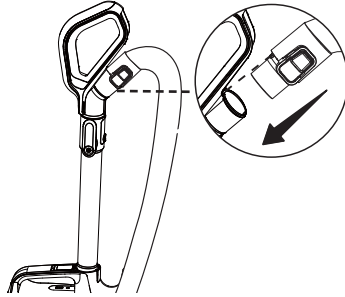


Using Your Vacuum Cleaner with Accessory

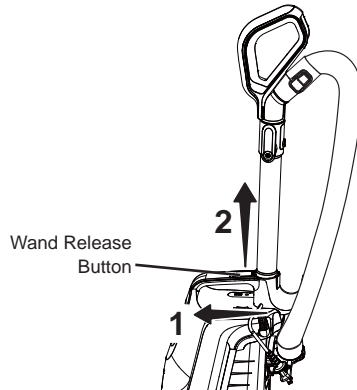
1. Place the vacuum cleaner in the upright locked position.
2. Press the hose release button and pull up to release the lower hose end from the lower hose connection.



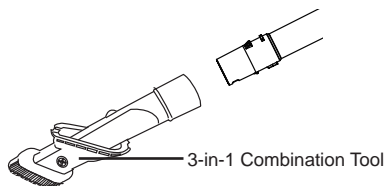
3. Insert the hose end into the upper hose connection as shown until you hear a 'click'.



4. Slide the wand release button and lift up the handle for above floor cleaning.



5. Choose the desired accessory and insert it into the handle.



6. Turn on the vacuum cleaner by pressing the switch to the "I" position.
7. Once you have completed vacuuming, switch to the "O" position and unplug the power cord from the power outlet.

IMPORTANT: Make sure to re-insert the hose end into the lower hose connection before using the vacuum in upright mode.

CAUTION

When using accessories, be careful not to overextend the hose when reaching to avoid tipping the vacuum over.

CAUTION

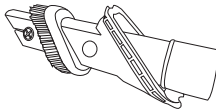
DO NOT pull the vacuum cleaner around the room by the hose. Property damage or personal injury could result.

Accessory

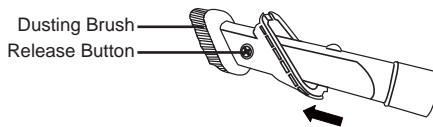
3-IN-1 COMBINATION TOOL

The 3-in-1 combination tool can be attached to the handle. Slide the collar of the tool over the open end of the handle.

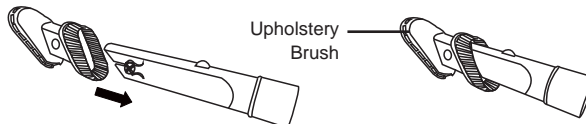
Use the 3-in-1 combination tool in crevice tool mode for cleaning in tight spaces such as furniture, between cushions, and stairs.



Set the combination tool in dusting brush mode by pressing the release button and sliding the dusting brush side of the brush tool to the end of the combination tool. Use in dusting brush mode for cleaning loose surfaces such as drapes.



Press the release button to remove the brush tool. Set the combination tool in upholstery brush mode as shown. Use in upholstery brush mode for cleaning fabric surfaces such as fabric sofa.



To return the combination tool to crevice tool mode, press the release button and slide the brush tool down the combination tool.

NOTE: Always clean accessory before using on fabrics.

Thermal Protector

This vacuum cleaner has a thermal protector which automatically trips to protect the vacuum cleaner suction motor. If a clog prevents the normal flow of air to the motor, the thermal protector turns the motor off automatically. This allows the motor to cool in order to prevent possible damage to the vacuum cleaner.

To reset thermal protector: Turn the vacuum cleaner off and unplug the power cord from the outlet to allow the vacuum cleaner to cool and the thermal protectors to reset.

CAUTION

Always return the vacuum cleaner to the upright position before using the hose and accessory. Failure to do so may result in overheating of the brushroll motor and can cause the thermal protectors to trip.

Check for and remove clogs, and replace dust bag if necessary. Also check and clean any clogged filters. Wait approximately 50 minutes before restarting vacuum cleaner.

By-Pass Valve

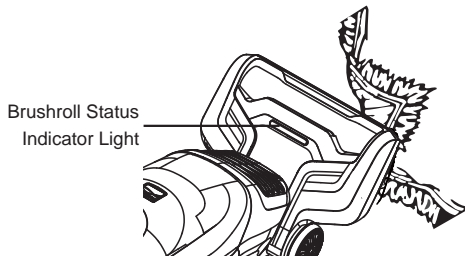
This vacuum cleaner has a By-Pass Valve which prevents motor overheating and damage. The valve opens to provide cooling air when a clog prevents normal air flow to the vacuum cleaner suction motor. You will notice a change of sound as air rushes through the valve opening.

To correct the problem: Remove any clogs, check and replace filters if needed, check and install new dust bag if needed.

NOTE: The By-Pass Valve may open when using attachments or when cleaning new carpet due to reduced airflow or air path is blocked, caused by the attachments themselves or by new carpet lint filling the dust bag quickly.

Brushroll Reset

The brushroll has built-in protection against motor damage should the brushroll jam. If the brushroll slows down or stops, the brushroll overload protector shuts off the brushroll motor and the brushroll status indicator light emits a red light. The vacuum cleaner suction motor will continue to run.



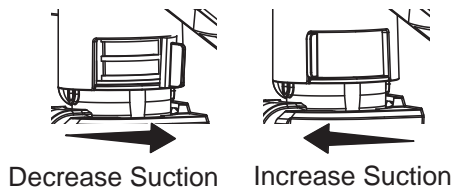
To solve the problem: Turn off and unplug vacuum cleaner, remove obstruction, then plug the vacuum cleaner back in and turn on the vacuum cleaner.

NOTE: Once the brushroll motor shuts down, clear jam from brushroll and then restart the vacuum cleaner. If the problem persists, call 1-866-384-8432 for assistance.

Suction Control

To assist with push/pull force of the vacuum on surfaces like thick carpet, the suction control valve can be opened to help reduce suction. Note that for best cleaning results, the suction control valve must be fully closed.

1. Slide to the right to open the suction control and decrease suction. Opening suction control decreases suction for draperies and lightweight rugs.
2. Slide to the left to close the suction control and increase suction. Closing suction control increases suction for upholstery and carpets.



Storing your vacuum

1. Ensure the hose is locked into place and the accessory is stored on-board.
2. Gather the cord and wrap it loosely around the upper and lower cord hooks. Lock the power cord plug onto the power cord.
3. Store the vacuum cleaner in a dry, indoor area, on the floor with the handle locked in the upright position.

MAINTAINING YOUR VACUUM

CAUTION

To reduce the risk of shock, turn off and disconnect the power cord before performing any service or maintenance.

NOTE: Use dry cloth to clean the outside of the unit. Do not allow any kind of liquid to enter the unit. Wash the accessory in warm soapy water, rinse and air dry for 24 hours. Do not clean in dishwasher.

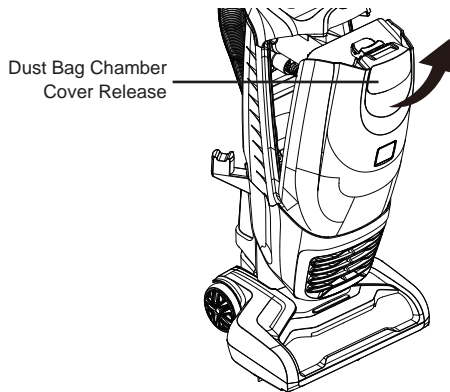
Replacing the Dust Bag

For best cleaning results, the dust bag should be changed often. The CHECK BAG indicator will turn to red when the bag needs to be changed or the airflow is blocked.

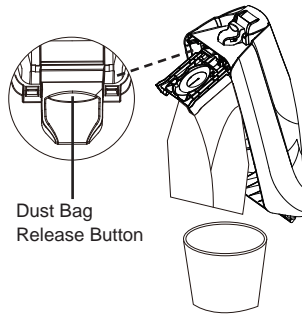
NOTE: Always pay attention to the CHECK BAG indicator.

1. Pull bag chamber cover release handle out and up, hold the cover using the handle.

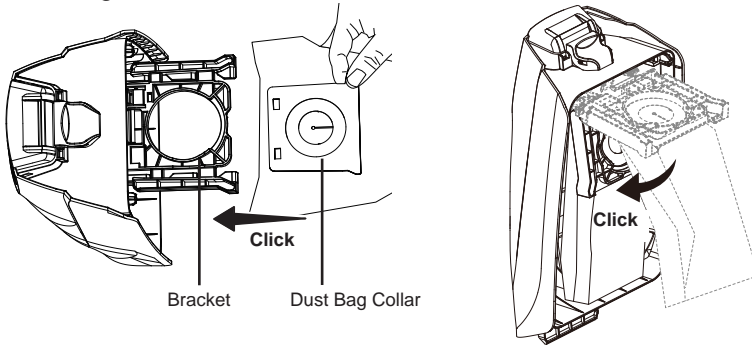
NOTE: Do not press the dust bag release button when releasing bag chamber cover, or the dust bag will drop down automatically.



2. Tilt the bag chamber as shown. Press dust bag release button and the dust bag drops down automatically.

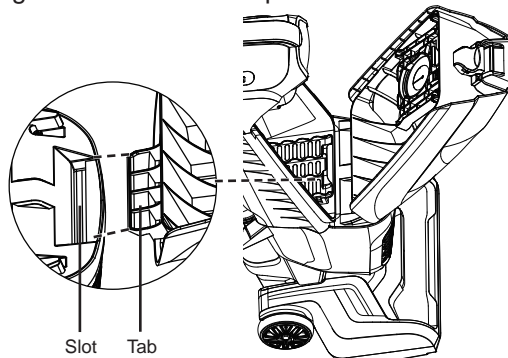


3. To install a new dust bag, insert the dust bag collar into bracket until you hear a 'click', and then rotate bracket down until another 'click' can be heard. Tuck the bag into the dust bag chamber. Be sure all sides of the dust bag are flat within the bag chamber.



4. Place the tab on the dust bag chamber cover in the slot on the vacuum cleaner. Push the dust bag chamber cover into place until a 'click' is heard.

NOTE: Make sure the dust bag is locked into place before pushing the dust bag chamber cover. The dust bag chamber cover can't be assembled successfully if dust bag is missing or not installed into place.



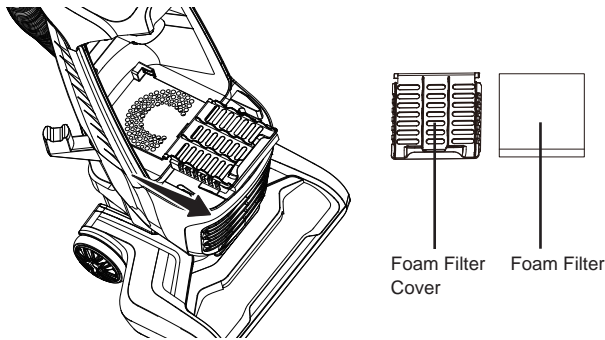
Cleaning the Foam Filter

Check the foam filter frequently and clean when dirty.

When the cleaning of the foam filter no longer restores vacuum cleaner suction to full power, or the filter is worn or broken, replace the filter.

Regularly clean and replace the filter to keep the vacuum's suction power optimal.

1. Remove the dust bag as outlined in the **Replacing the Dust Bag** (page 18).
2. Remove the foam filter cover and the foam filter.



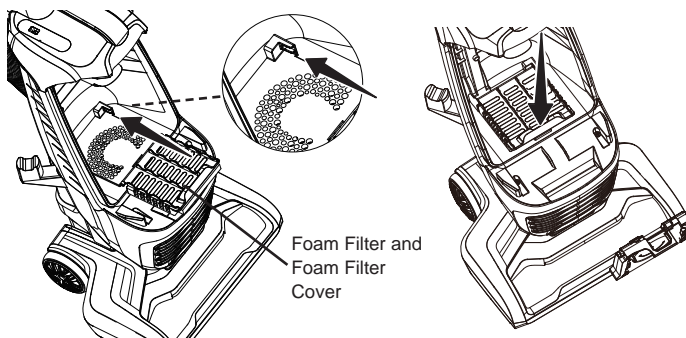
3. Wash the filter in warm soapy water, rinse and dry thoroughly by squeezing the excess water out of the filter and allowing to air dry for 24 hours.

NOTE: DO NOT operate without foam filter installed.

IMPORTANT: The filter must dry completely before reuse.

4. Reinstall the foam filter into the foam filter cover and slide it to the slots until it is in place. Press the cover to lock it into place until a 'click' can be heard.

NOTE: Replace the foam filter if it is worn or broken.



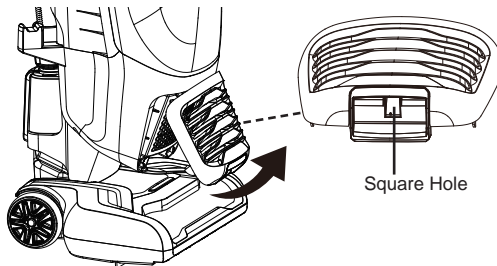
5. Reinstall the dust bag as outlined in the **Replacing the Dust Bag** (page 19).

Cleaning the HEPA Media Exhaust Filter

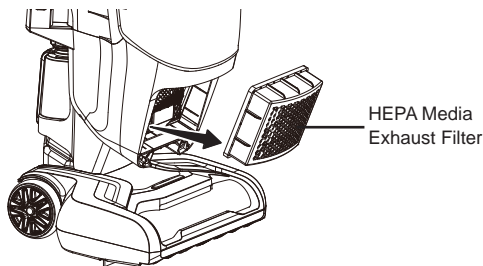
It is recommended to clean the HEPA media exhaust filter with cold water every year.

NOTE: When the cleaning of the filter no longer restores vacuum cleaner suction to full power, or the filter is worn or broken, replace the exhaust filter.

1. Remove exhaust filter cover by pulling the square hole outward at the bottom of the cover.



2. Remove the HEPA media exhaust filter from vacuum cleaner.

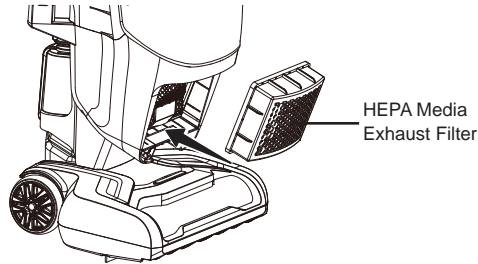


3. Wash with cold water only, **DO NOT** use detergent or soap. Allow to air dry.
Allow parts to dry 24 hours before putting back into vacuum cleaner.

NOTE: **DO NOT** operate without HEPA media exhaust filter installed.

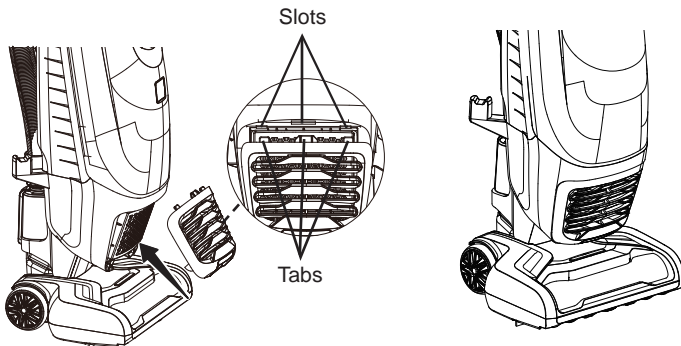
IMPORTANT: The filter must dry completely before reuse.

4. Reinstall the HEPA media exhaust filter into the vacuum cleaner.



5. Insert the exhaust filter cover tabs into the upper slots and lock the exhaust filter cover into place by pressing the bottom of the cover until a click is heard.

NOTE: Make sure the exhaust filter cover is properly installed.

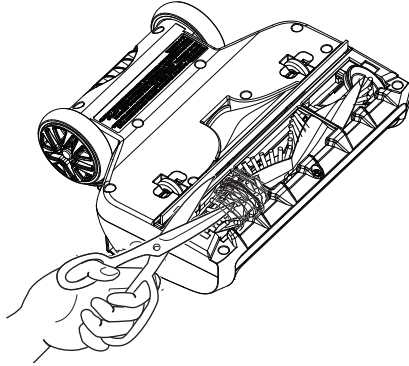


Cleaning the Brushroll

WARNING

Always unplug the power cord from an electrical outlet before performing maintenance to the vacuum cleaner.

To maintain efficient cleaning, the brushroll must be kept free of carpet fiber, string, or hair build-up. If the brushroll is jammed, unplug and turn vacuum cleaner over and check brushroll for fiber and hair build-up. Use scissors to remove any build-up entangled around the brushroll. Cleaning the brushroll periodically is recommended for best performance.



Removing Clogs

WARNING

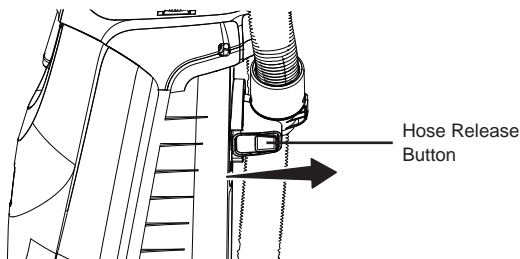
Disconnect electrical supply before removing clogs. Failure to do so could result in electrical shock or personal injury.

Checking the hose for clogs:

If there is noticeable abnormal noise when using the vacuum or the suction power suddenly drops, it is necessary to check the hose for clogs.

Frequently check the air path to make sure it is free of obstructions.

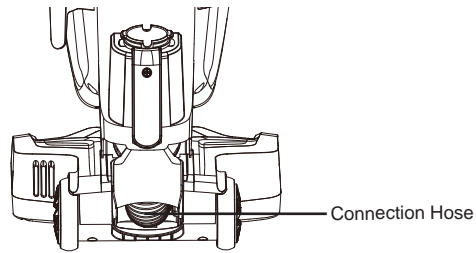
1. Press the hose release button and remove the hose from the main body. Release the other end of the hose from the lower hose connection.



2. Check and remove any clogs in the flexible hose.
3. Reinstall the flexible hose to the vacuum cleaner. See **GENERAL ASSEMBLY INSTRUCTIONS** (page 7).

Checking connection hose for clogs:

1. Release the hose end from the lower hose connection.
2. Check and remove any clogs in the connection hose.
3. Reattach the flexible hose onto the lower hose connection.



TROUBLESHOOTING

Should you have any problem(s) with your vacuum cleaner, review the table below for solutions to minor performance issues.

WARNING

Disconnect electrical supply before performing maintenance to the vacuum cleaner. Failure to do so could result in electrical shock or personal injury.

PROBLEM	POSSIBLE CAUSE	SOLUTION
Vacuum cleaner will not run.	The plug is not plugged into the wall outlet.	Be sure power cord plug is fully plugged into outlet.
	The On/Off switch is not pressed to start the vacuum cleaner.	Press the On/Off switch to “I” or “II” position.
	Defective wall outlet.	Check with a good appliance or lamp. Have outlet properly serviced.
	The vacuum body is overheated.	Unplug the power cord and let the vacuum cool down for 50 minutes.
	The motor is damaged.	Call 1-866-384-8432 for assistance.
Poor job of dirt pick-up.	The hose and accessories are not installed correctly.	Check the hose and accessories for correct installation and ensure they are snapped firmly in place.
	The hose is not installed in the correct place when using the upright mode.	Check and ensure the hose is installed correctly into the main body (page 7).
	Dust bag is not installed correctly.	Check dust bag for correct installation and ensure it is snapped firmly in place.
	Full or clogged dust bag.	Change the dust bag.
	There is a clog in the air path.	Check and remove all clogs. Follow instructions on page 23.
	Suction control is in open position.	Adjust the suction control to increase suction. Follow instructions on page 17.

PROBLEM	POSSIBLE CAUSE	SOLUTION
Poor job of dirt pick-up.	The foam filter or HEPA media exhaust filter needs to be cleaned or replaced.	Clean or replace the foam filter or HEPA media exhaust filter. Follow the foam filter cleaning or HEPA media exhaust filter cleaning instructions on page 20 or 21.
	The hose is worn.	Replace the hose. Purchase online at www.vacmaster.com or call 1-866-384-8432.
	The connection hose is worn.	Call 1-866-384-8432 for assistance.
	The brushroll is worn.	Call 1-866-384-8432 for assistance.
	The belt is worn or broken.	Call 1-866-384-8432 for assistance.
Dust escapes from vacuum.	Dust bag or dust bag chamber cover is not installed correctly.	Check the dust bag or dust bag chamber cover for correct installation and ensure they are snapped firmly in place. Follow instructions on page 19.
	HEPA media exhaust filter is installed incorrectly.	Check exhaust filter for correct installation. Follow instructions on page 21.
	The dust bag is worn or broken.	Check and replace the dust bag.
	Foam filter or HEPA media exhaust filter is worn or broken.	Check and replace the foam filter or the HEPA media exhaust filter.
Brushroll does not turn.	Handle is in fully upright position.	Move handle from the fully upright position.
	Wrong mode selected.	Press the switch to the "II" position to start the brushroll.
	Brushroll is jammed.	Remove obstruction. Follow instructions on page 22.
	Brushroll is not installed correctly.	Call 1-866-384-8432 for assistance.

PROBLEM	POSSIBLE CAUSE	SOLUTION
Brushroll does not turn.	The brushroll motor is overheated.	Turn off and unplug vacuum cleaner. Check and clear the air path to make sure it is free of obstructions. Check and change the dust bag if full. Then plug in vacuum and turn it on.
	The belt is not routed correctly.	Call 1-866-384-8432 for assistance.
	Fault in PCB section of the motorized nozzle.	Call 1-866-384-8432 for assistance.
Sound changes.	Exhaust filter cover is installed incorrectly.	Position exhaust filter cover correctly and snap firmly into place. Follow instructions on page 22.
	Air path is blocked.	Check for and remove any clogs and clean the air path. Follow instructions on page 23.
	Accessories in use restrict air flow.	Check accessories for fuzz, lint, pet hair or other debris.
Vacuum turns off on its own.	The power cord plug is loose from the outlet when using the vacuum.	Reinsert the power cord plug fully into the outlet. Avoid pulling or dragging the power cord when using the vacuum.
	Thermal protector is activated.	Turn the vacuum cleaner off and unplug it. Check the air path and dust bag. Allow the vacuum cleaner to cool for a minimum of 50 minutes. Plug in vacuum and turn it on.
	The motor is damaged.	Call 1-866-384-8432 for assistance.

PROBLEM	POSSIBLE CAUSE	SOLUTION
CHECK BAG Indicator activates.	Full or clogged dust bag.	Change bag.
	Dirty filters.	Clean/change filters.
	Blocked airflow passage.	Turn off and unplug vacuum cleaner. Clear blockage from airflow passage. Plug in vacuum and turn it on.
	Certain attachment tools.	This is normal. The indicator will turn to green when tool is removed.
Brushroll status indicator light emits red.	There is a jam in the brushroll area.	Turn off and unplug the vacuum. Remove any blockages in the brushroll. See page 22.
	The brushroll is worn or broken.	Call 1-866-384-8432 for assistance.
	Faulty brushroll motor or PCB section of the motorized nozzle.	Call 1-866-384-8432 for assistance.
	The brushroll motor is overheated.	Turn off and unplug the vacuum. Check and clear the air path to make sure it is free of obstructions. Check and change the dust bag if full. Then plug in vacuum and turn it on.
Dust bag chamber cover can't be installed.	Dust bag is missing.	Install the dust bag.
	Dust bag collar is not installed into bracket correctly or the bracket is not rotated down into place.	Insert the dust bag collar into bracket until you hear a 'click'. Rotate bracket down until another 'click' can be heard. Follow instructions on page 19.
	The bracket is broken.	Call 1-866-384-8432 for assistance.

SOMMAIRE

SECTION	PAGE
Consignes importantes de sécurité.....	2
Garantie.....	4
Fiche technique.....	4
Familiarisez-vous avec votre aspirateur.....	5
Instructions relatives au montage général.....	7
Instructions d'utilisation.....	10
Entretien de votre aspirateur.....	20
Dépannage.....	28

Nous vous remercions pour l'acquisition de cet aspirateur Vacmaster®. Vous avez un produit de haute qualité, conçu pour des performances optimales.

POUR GARANTIR VOTRE SÉCURITÉ

Lisez et comprenez ce manuel avant toute utilisation de l'appareil.

Veillez conserver en lieu sûr le présent manuel ainsi que votre ticket de caisse (reçu) afin de pouvoir vous y référer ultérieurement.

CONSIGNES IMPORTANTES DE SÉCURITÉ

Lors de l'utilisation d'un appareil électrique, des précautions de base doivent toujours être prises, notamment les suivantes :

VEILLEZ À LIRE TOUTES LES CONSIGNES AVANT TOUTE UTILISATION DU PRÉSENT ASPIRATEUR.

Le non-respect des avertissements et consignes ci-dessous peut entraîner des risques d'explosion, d'incendie et/ou de blessures graves.



AVERTISSEMENT - Afin de réduire tous risques d'incendie, d'électrocution ou de blessures :

- Ne pas laisser l'aspirateur branché. Pensez à le débrancher de la prise lorsque vous ne l'utilisez pas ou avant de le réparer ou de l'entretenir.
- Ne pas utiliser l'appareil à l'extérieur ni sur des surfaces humides.
- Ne pas permettre que l'appareil soit utilisé comme un jouet. Soyez très attentif s'il est utilisé par des enfants ou si des enfants se trouvent à proximité.
- Utilisez cet appareil exclusivement conformément aux descriptions fournies dans le présent manuel d'utilisation. Utilisez exclusivement les accessoires recommandés par le fabricant.
- Ne pas utiliser l'appareil si le cordon ou la fiche est endommagé(e). En cas de dysfonctionnement, de chute, de détérioration, d'abandon à l'extérieur, ou de chute dans de l'eau, de l'aspirateur, appelez le service clientèle.
- Ne pas tirer ni porter l'appareil en utilisant le cordon. Ne pas utiliser celui-ci comme poignée ou pour fermer une porte et ne pas l'enrouler autour de bords coupants ou d'arêtes vives. Ne pas faire passer l'aspirateur sur le cordon. Maintenez le cordon à l'écart de toutes surfaces chaudes.
- Ne pas débrancher l'appareil en tirant sur le cordon. Pour débrancher le produit, saisissez la fiche, pas le cordon.
- Ne pas manipuler la fiche d'alimentation ou l'aspirateur avec des mains mouillées.
- N'introduire aucun objet dans les orifices de l'appareil. Ne pas utiliser l'appareil si un orifice est bouché. Faites en sorte que les orifices ne soient pas encombrés de poussières, peluches, cheveux ou de toute autre objet susceptible de gêner la circulation de l'air.
- Maintenez vos cheveux, vêtements amples, doigts et toutes parties du corps à l'écart des orifices et des pièces mobiles.
- Coupez toutes les commandes de l'appareil avant de le débrancher.

- Faites très attention lorsque vous nettoyez des escaliers.
- Ne pas poser le produit sur des chaises, des tables, etc. Maintenez-le sur le plancher.
- Ne pas utiliser l'appareil pour aspirer des liquides inflammables ou combustibles, notamment de l'essence, et ne pas l'utiliser dans des endroits où ces substances peuvent être présentes.
- Ne pas aspirer de matières en combustion ou qui dégagent de la fumée, telles que des cigarettes, des allumettes ou des cendres chaudes.
- Ne pas utiliser l'aspirateur sans un sac à poussière et/ou filtres en place.

VEUILLEZ CONSERVER LES PRÉSENTES CONSIGNES

Conçu pour une utilisation domestique exclusivement

GARANTIE

PENDANT UN AN à compter de la date de vente, ce produit est garanti contre tout défaut de matériau ou de fabrication lorsqu'il est assemblé, utilisé et entretenu conformément aux instructions fournies.

MUNI D'UNE PREUVE DE VENTE, tout produit défectueux peut être retourné au revendeur aux fins de remplacement gratuit.

Pour connaître les détails de la couverture de la garantie et obtenir un remplacement gratuit, visitez la page Web : www.vacmaster.com ou appelez le 1-866-384-8432.

- Sont exclus de la garantie les filtres ou les courroies, qui sont des pièces à usage unique susceptibles de s'user durant la période de garantie des suites d'un usage normal.
- La présente garantie sera nulle et non avenue en cas d'utilisation éventuelle de ce produit à toutes autres fins que personnelles et privées.
- La présente garantie vous accorde des droits spécifiques légaux, mais vous pouvez également avoir d'autres droits qui varient selon les États.

FICHE TECHNIQUE

Aspirateur Vertical Muni De Sac

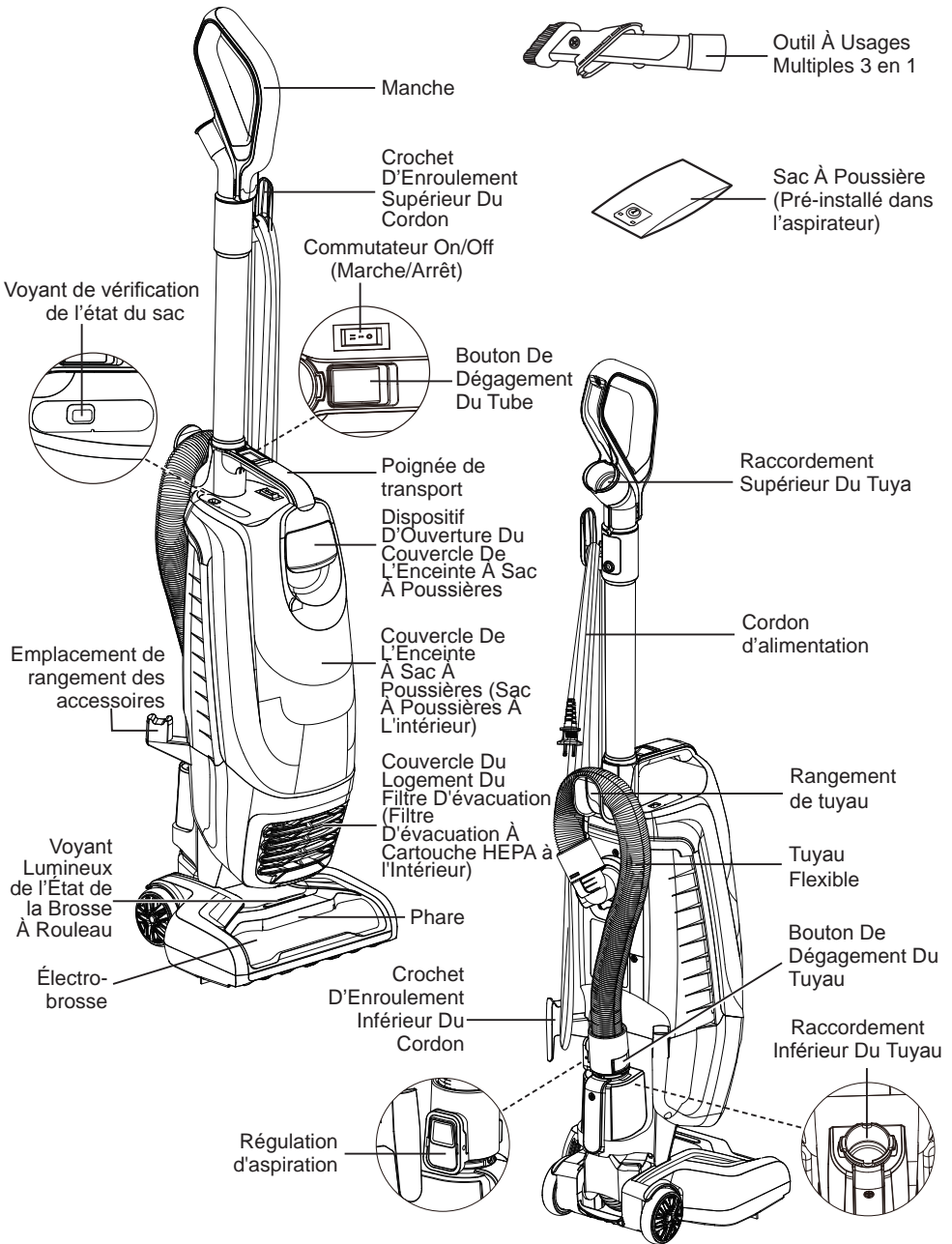
Modèle : UB0302E

Tension nominale : 120V AC

Fréquence nominale : 60 hertz

Courant nominal : 8,0A

FAMILIARISEZ-VOUS AVEC VOTRE ASPIRATEUR



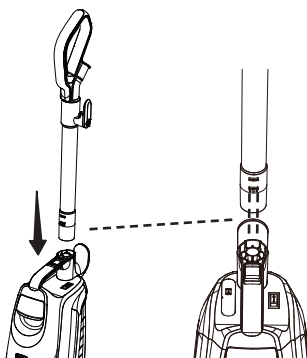
PIÈCES DE RECHANGE

Élément	N° de Pièce
Filtre en mousse	561060125
Filtre d'Évacuation À Cartouche HEPA	561055118
Outil À Usages Multiples 3 en 1	571034106
Sac À Poussières (Lot de 6)	521355
Tuyau Flexible	571034107
Manche	571034101
Kit de Filtres (Filtre d'Évacuation HEPA + Filtre En Mousse)	561060184

Achetez en ligne à www.vacmaster.com ou appelez le 1-866-384-8432.

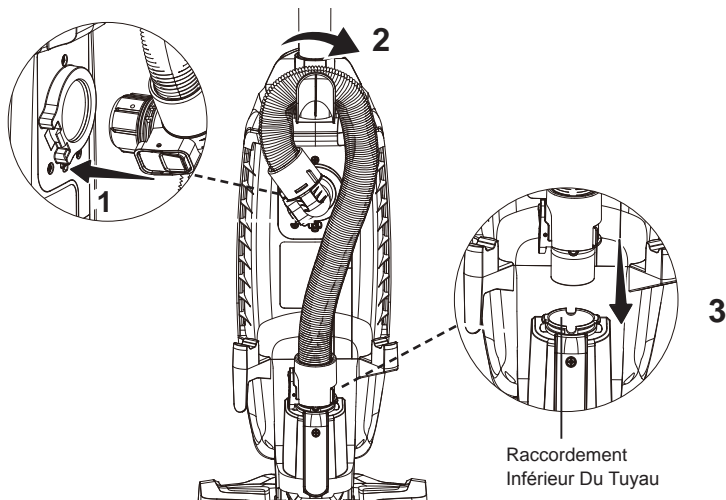
INSTRUCTIONS RELATIVES AU MONTAGE GÉNÉRAL

1. Insérez le manche dans le corps principal jusqu'à ce que vous entendiez un « déclic ».

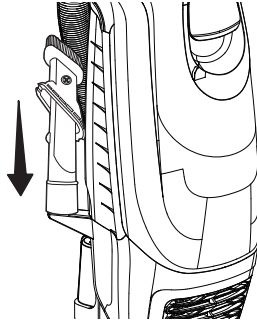


2. Insérez l'extrémité à angle droit du tuyau flexible dans le corps principal, ainsi qu'illustré, jusqu'à ce que vous entendiez un « déclic ». Faites passer ensuite le tuyau flexible par dessus l'emplacement de rangement du tuyau. Insérez l'autre extrémité du tuyau dans le raccordement inférieur du tuyau, ainsi qu'illustré, jusqu'à ce que vous entendiez un « déclic ».

REMARQUE : Nous vous recommandons de tourner légèrement l'extrémité du tuyau lors de son insertion. Assurez-vous que les deux extrémités du tuyau sont convenablement enclenchées en place.

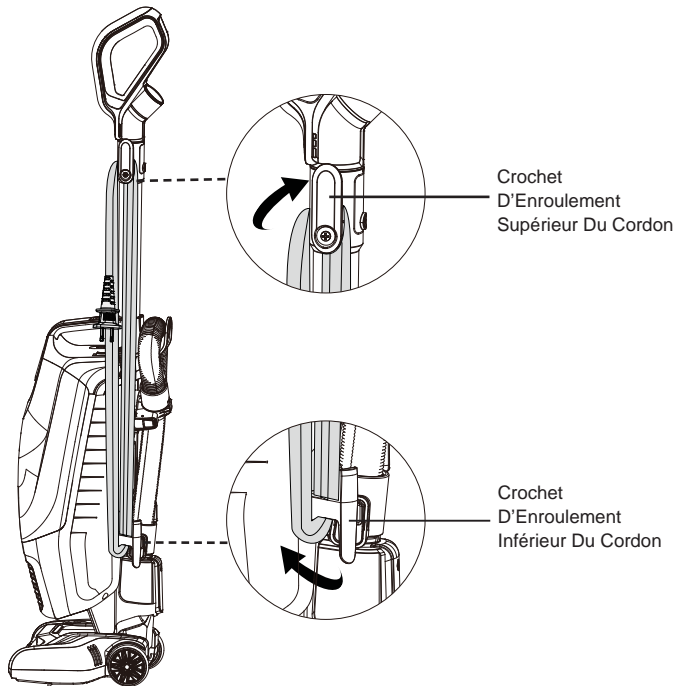


3. Insérez l'outil combiné sur le rangement des accessoires comme indiqué.

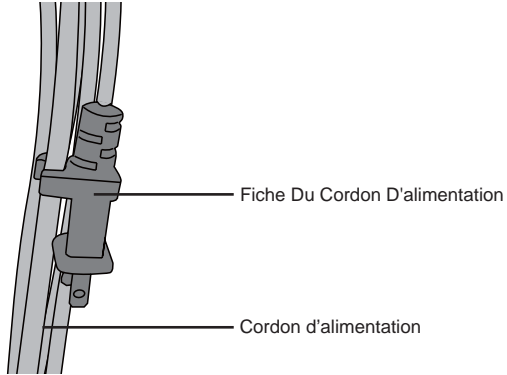


4. Assurez-vous que les crochets d'enroulement supérieur et inférieur du cordon sont correctement positionnés, ainsi qu'illustré. Enroulez le cordon d'alimentation sans le serrer autour des crochets d'enroulement supérieur et inférieur du cordon.

REMARQUE : Veillez à enrouler le cordon d'alimentation autour du crochet d'enroulement supérieur en premier, puis autour du crochet d'enroulement inférieur afin d'éviter d'endommager le cordon d'alimentation.



5. Verrouillez la fiche du cordon d'alimentation sur le cordon d'alimentation.



⚠ AVERTISSEMENT

L'enroulement trop serré du cordon soumis à un stress excessif risque d'endommager celui-ci. Un cordon endommagé présente des risques d'électrocution et peut entraîner des blessures corporelles ou des dommages.

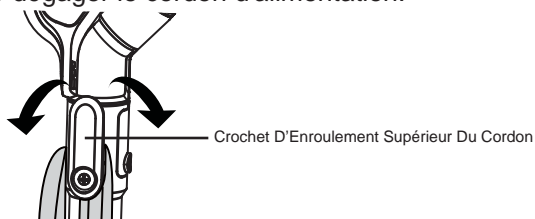
INSTRUCTIONS D'UTILISATION

Utilisation de votre aspirateur vertical

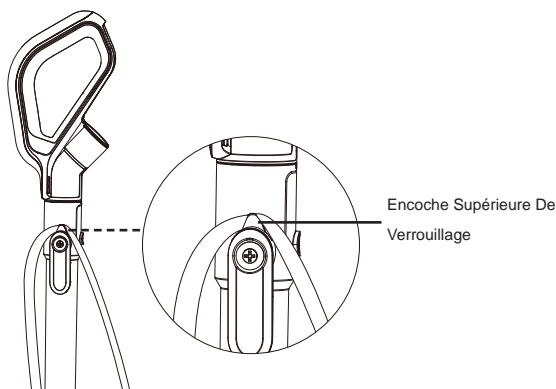
REMARQUE : Assurez-vous que l'aspirateur est entièrement monté. Ne pas faire fonctionner l'aspirateur sans sac à poussière en place.

REMARQUE : Assurez-vous que le tuyau flexible est correctement installé dans le corps principal (page 7).

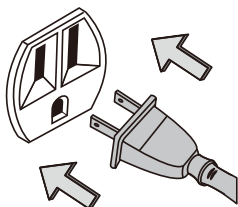
1. Tournez le crochet d'enroulement supérieur du cordon vers un côté ou l'autre, puis vers le bas pour dégager le cordon d'alimentation.



2. Détachez la fiche du cordon d'alimentation du cordon d'alimentation.
3. Assurez-vous que le cordon d'alimentation est verrouillé dans l'encoche de verrouillage supérieure, ainsi qu'illustré. Cela permet de mieux gérer le cordon d'alimentation lors de l'utilisation de l'aspirateur.



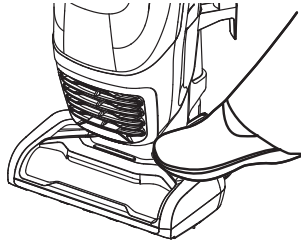
4. Branchez la fiche du cordon d'alimentation à une prise de courant située près du plancher.



AVERTISSEMENT

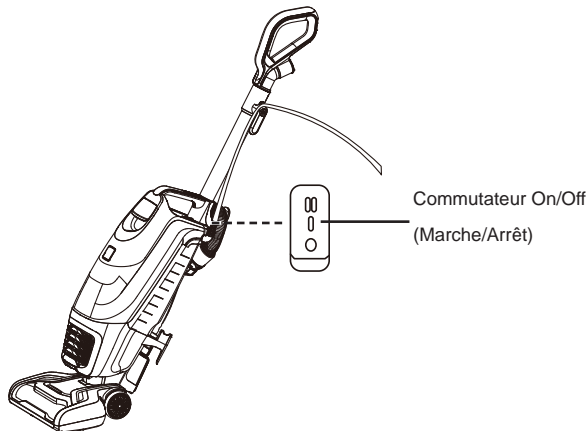
Afin de réduire tout risque d'électrocution, cet appareil comporte une prise polarisée (une lame est plus large que l'autre). Il n'y a qu'une façon d'insérer la fiche dans une prise polarisée. Si la fiche ne s'insère pas entièrement dans la prise, inversez la fiche. Si elle ne s'insère toujours pas correctement, contactez un électricien qualifié afin qu'il installe une prise adaptée. Ne modifiez en aucun cas la fiche.

5. Dégagez le manche en plaçant un pied sur la buse et en le tirant vers l'arrière afin de changer la position du manche.



6. Mettez l'aspirateur en marche en positionnant le commutateur On/Off (Marche/Arrêt) sur « I » pour le nettoyage des sols nus et des petits tapis.

REMARQUE : La brosse à rouleau ne tourne pas lorsque vous positionnez le commutateur On/Off (Marche/Arrêt) sur « I ».



7. Appuyez sur le commutateur pour le positionner sur « II » pour le nettoyage des tapis et des moquettes.

REMARQUE : La brosse à rouleau tourne lorsque le commutateur On/Off (Marche/Arrêt) de l'aspirateur est positionné sur « II ».

8. Une fois que vous avez terminé de passer l'aspirateur, positionnez le commutateur On/Off (Marche/Arrêt) sur « O », puis débranchez le cordon d'alimentation de la prise de courant.

REMARQUE : Sélectionnez le mode approprié lorsque vous utilisez cet aspirateur. Ne pas appuyer sur le commutateur pour le positionner sur « II » lorsque vous nettoyez le plancher nu. Dans le cas contraire, vous risquez d'endommager le plancher.

9. Pour rétablir le cordon d'alimentation après utilisation, positionnez à la verticale le crochet d'enroulement supérieur du cordon. Enroulez ensuite le cordon sans le serrer autour des crochets d'enroulement du cordon.



ATTENTION

Ne pas laisser l'aspirateur rester au même endroit pour quelque durée que ce soit lorsque la brosse à rouleau est en rotation. La moquette risque d'être endommagée.



ATTENTION

Pièces mobiles! Afin de réduire tout risque de blessures, NE PAS toucher la brosse à rouleau lorsque l'aspirateur est en marche. Tout contact avec la brosse à rouleau en rotation peut provoquer des blessures. Coupez l'alimentation électrique avant de procéder à l'entretien, à la réparation ou au nettoyage de l'aspirateur. Faites preuve de prudence lorsque vous utilisez l'aspirateur en présence d'enfants.



VOYANT DE VÉRIFICATION DE L'ÉTAT DU SAC

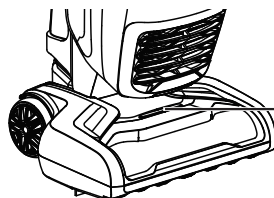
Lorsque l'aspirateur fonctionne avec le flux d'air Normal, le voyant CHECK BAG (Vérification de l'état du sac) est vert. Le voyant vire au rouge sombre en cas d'obstruction du flux d'air.

Si ce phénomène se produit, vérifiez l'état du sac à poussière jetable, le filtre et le conduit d'air pour voir s'il n'y a pas d'obstruction, comme indiqué dans la section Éliminations Des Obstructions (page 26).

REMARQUE : Le voyant s'allume lorsque vous utilisez certains accessoires permettant de réduire le flux d'air à travers ceux-ci.

VOYANT LUMINEUX DE L'ÉTAT DE LA BROSSSE À ROULEAU

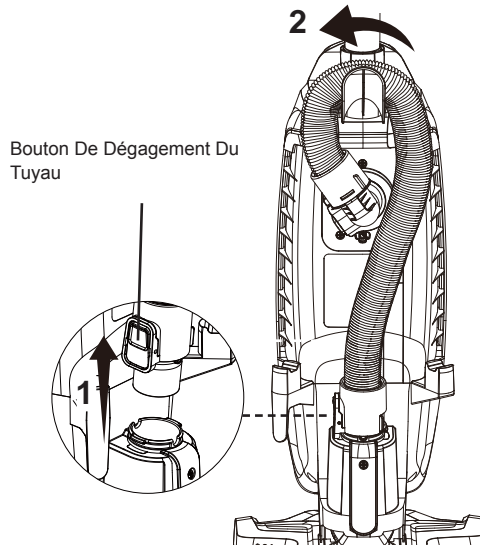
Voyant Lumineux de l'État de la Brosse À Rouleau	État
Vert, fixe	La brosse à rouleau tourne et fonctionne comme il se doit.
Rouge, fixe	Présence de bourrage dans la zone de la brosse à rouleau. Mettez hors tension et débranchez l'aspirateur, puis éliminez les obstructions présentes dans la buse.
	Le moteur de la brosse à rouleau est surchauffé. Mettez hors tension l'aspirateur, puis débranchez-le. Vérifiez et dégager l'état du conduit d'air afin de vous assurer de l'absence de toutes obstructions. Vérifiez et changez le sac à poussière s'il est plein. Branchez l'aspirateur, puis mettez-le sous tension.
Absence d'allumage	La brosse à rouleau est arrêtée.



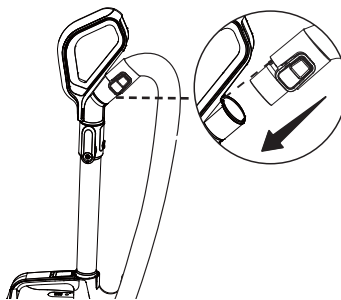
Voyant Lumineux de l'État de la Brosse À Rouleau

Utilisation de votre aspirateur avec ses accessoire

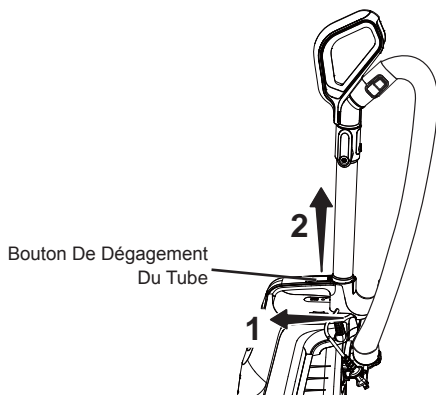
1. Positionnez l'aspirateur verrouillé à la verticale.
2. Appuyez sur le bouton de dégagement du tuyau, puis exercez une poussée vers le haut pour dégager l'extrémité inférieure du tuyau du raccordement inférieur du tuyau.



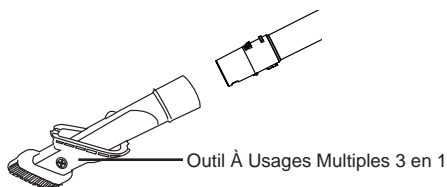
3. Insérez l'extrémité du tuyau dans le raccordement supérieur du tuyau, ainsi qu'illustré, jusqu'à ce que vous entendiez un « déclic ».



4. Faites glisser le bouton de dégagement du tube, puis soulevez le manche pour effectuer des nettoyages au-dessus du plancher.



5. Choisissez l'accessoire souhaité, puis insérez-le dans le manche.



6. Mettez sous tension l'aspirateur en appuyant sur le commutateur On/Off (Marche/Arrêt) pour le positionner sur « I ».
7. Une fois que vous avez terminé de passer l'aspirateur, positionnez le commutateur On/Off (Marche/Arrêt) sur « O », puis débranchez le cordon d'alimentation de la prise de courant.

IMPORTANT : Ne pas oublier de réinsérer l'extrémité du tuyau dans le raccordement inférieur du tuyau avant d'utiliser l'aspirateur en mode Vertical.

ATTENTION

Lorsque vous utilisez des accessoires, veillez à ne pas trop tirer sur le tuyau pour éviter de faire basculer l'aspirateur.

ATTENTION

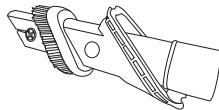
NE PAS tirer l'aspirateur par le tuyau dans la pièce. Cela risque d'entraîner des dommages matériels ou blessures corporelles.

ACCESSOIRE

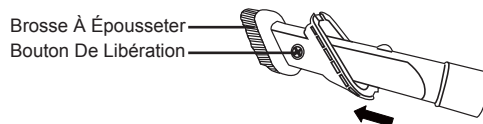
OUTIL À USAGES MULTIPLES 3 EN 1

L'outil à usages multiples 3 en 1 peut se fixer sur le manche. Faites glisser le collier de l'outil sur l'extrémité ouverte du manche.

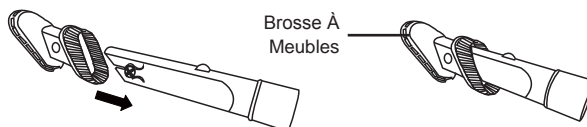
Utilisez l'outil à usages multiples 3 en 1 en mode Suceur pour effectuer le nettoyage dans les espaces restreints tels que les meubles, entre les coussins et dans les escaliers.



Mettez l'outil à usages multiples en mode Brosse à épousseter en appuyant sur la touche de dégagement et en faisant coulisser le côté Brosse à épousseter de la brosse jusqu'à l'extrémité de l'outil à usages multiples. Utilisez le mode Brosse à épousseter pour nettoyer les surfaces instables, notamment les rideaux.



Appuyez sur la touche de dégagement pour retirer l'outil brosse. Réglez l'outil à usages multiples en mode Brosse à meubles, ainsi qu'illustré. Utilisez le mode Brosse à meubles pour nettoyer les surfaces en tissu, notamment les canapés en tissu.



Pour remettre l'outil à usages multiples en mode Suceur, appuyez sur le bouton de dégagement, puis faites coulisser la brosse vers la partie inférieure de l'outil à usages multiples.

REMARQUE : Toujours nettoyer les accessoires avant de les utiliser sur des tissus.

Dispositif De Protection Thermique

Cet aspirateur est doté d'un protecteur thermique qui se déclenche automatiquement pour protéger le moteur d'aspiration de l'aspirateur. En cas de congestion empêchant l'écoulement normal d'air vers le moteur, le dispositif de protection thermique éteint automatiquement le moteur. Cela permet au moteur de refroidir afin d'éviter d'endommager éventuellement l'aspirateur.

Pour réinitialiser le protecteur thermique : Mettez hors tension l'aspirateur, puis débranchez le cordon d'alimentation de la prise de courant pour permettre à l'aspirateur de refroidir et aux protecteurs thermiques de se réinitialiser.



ATTENTION

Remettez toujours l'aspirateur à la verticale avant d'utiliser le tuyau et les accessoires. Le non-respect de cette consigne peut entraîner une surchauffe du moteur de la brosse à rouleau et provoquer le déclenchement des protecteurs thermiques.

Vérifiez la présence d'obstructions, puis éliminez celles-ci. Ensuite, remplacez le sac à poussière, au besoin. Vérifiez également l'état des filtres, puis nettoyez tous les filtres bouchés. Patientez pendant environ 50 minutes avant de redémarrer l'aspirateur.

Soupape De Dérivation

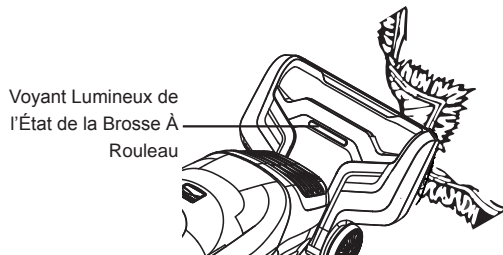
Cet aspirateur est équipé d'une soupape de dérivation qui permet de prévenir surchauffe et endommagement du moteur. La soupape s'ouvre pour fournir de l'air de refroidissement lorsqu'une congestion empêche le flux d'air normal vers le moteur d'aspiration de l'aspirateur. Vous remarquerez un changement sonore lorsque l'air pénètre par l'ouverture de la soupape.

Pour corriger le problème : éliminez toutes obstructions éventuelles. Vérifiez l'état des filtres, puis remplacez-les au besoin. Ensuite, vérifiez l'état du sac à poussière, puis installez-en un neuf, au besoin.

REMARQUE : La Soupape De Dérivation peut s'ouvrir lors de l'utilisation d'accessoires ou lors du nettoyage d'une moquette neuve en raison d'une réduction du débit d'air ou d'une obstruction du conduit d'air, causé par les accessoires eux-mêmes ou par des peluches provenant de la moquette neuve et remplissant rapidement le sac à poussière.

RÉINITIALISATION DE LA BROSSE À ROULEAU

La brosse à rouleau est dotée d'une protection intégrée contre l'endommagement du moteur en cas de blocage de la brosse à rouleau. En cas de ralentissement ou d'arrêt de la brosse à rouleau, le dispositif de protection contre les surcharges de la brosse à rouleau coupe le moteur de la brosse à rouleau et le voyant lumineux de l'état de la brosse à rouleau vire au rouge. Le moteur d'aspiration de l'aspirateur continue de tourner.



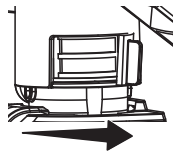
Pour résoudre ce problème : Mettez hors tension l'aspirateur, puis débranchez-le. Ensuite, éliminez toutes les obstructions, puis rebranchez l'aspirateur et mettez-le sous tension.

REMARQUE : Une fois que le moteur de la brosse à rouleau s'arrête, il convient d'éliminer tout bourrage de la brosse à rouleau et de redémarrer l'aspirateur. Si le problème persiste, veuillez composer le numéro 1-866-384-8432 pour obtenir de l'aide.

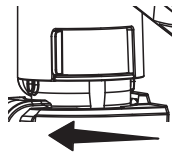
RÉGULATION D'ASPIRATION

Pour s'aider de la force de poussée/traction de l'aspirateur sur des surfaces comme les moquettes épaisses, la soupape de régulation d'aspiration peut être ouverte pour permettre de réduire l'aspiration. Remarque importante : pour obtenir des résultats de nettoyage optimaux, la soupape de régulation d'aspiration doit être entièrement fermée.

- Faites glisser vers la droite pour ouvrir la régulation d'aspiration et réduire l'aspiration. L'ouverture de la régulation permet de réduire l'aspiration pour ce qui concerne draperies et tapis légers.
- Faites glisser vers la gauche pour fermer la régulation d'aspiration et augmenter l'aspiration. La fermeture de la régulation augmente l'aspiration pour ce qui concerne tapisserie pour meubles et moquettes.



Réduire la puissance
d'aspiration



Augmenter la
puissance d'aspiration

Rangement de l'aspirateur

1. Assurez-vous que le tuyau est verrouillé en place et que l'accessoire est rangé à bord.
2. Rassemblez le cordon, puis enroulez-le sans le serrer autour des crochets d'enroulement supérieur et inférieur du cordon. Verrouillez le dispositif de retenue de la fiche sur le cordon d'alimentation.
3. Rangez l'aspirateur dans un endroit sec, à l'intérieur, sur le plancher, avec le manche verrouillé à la verticale.

ENTRETIEN DE VOTRE ASPIRATEUR

ATTENTION

Pour réduire le risque d'électrocution, éteignez et débranchez le cordon d'alimentation avant d'effectuer tout entretien ou toute maintenance sur votre aspirateur.

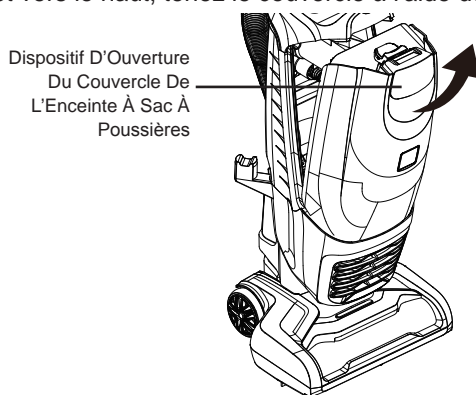
REMARQUE : Utilisez un chiffon sec pour nettoyer l'extérieur de l'appareil. Ne laissez aucun liquide pénétrer dans l'appareil. Lavez les accessoires à l'eau tiède savonneuse, rincez-les, puis laissez-les sécher à l'air libre. Ne pas nettoyer au lave-vaisselle.

Remplacement Du Sac À Poussière

Pour de meilleurs résultats de nettoyage, le sac à poussière doit être changé souvent. Le voyant CHECK BAG (Vérification de l'état du sac) passe au rouge lorsque le sac doit être remplacé ou que le flux d'air est bloqué.

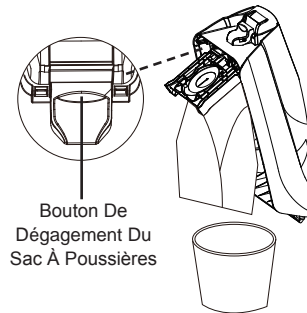
REMARQUE : Faites toujours attention à le voyant CHECK BAG (Vérification de l'état du sac).

1. Tirez la poignée de déverrouillage du couvercle de l'enceinte à sac à poussière vers l'extérieur et vers le haut, tenez le couvercle à l'aide de la poignée.

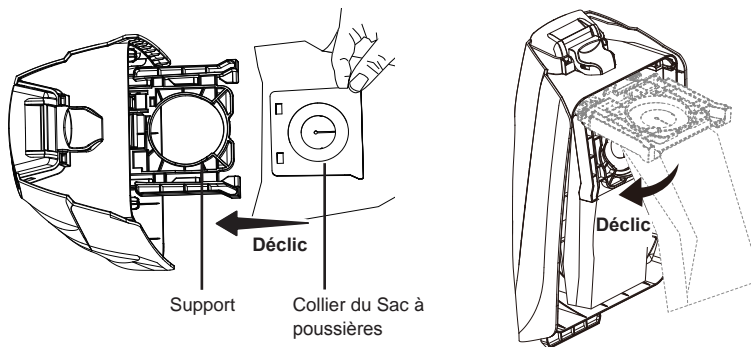


REMARQUE : Ne pas appuyer sur le bouton de déverrouillage du sac à poussière lorsque vous retirez le couvercle de l'enceinte à sac à poussière. Dans le cas contraire, le sac à poussière s'abaisse automatiquement.

2. Inclinez l'enceinte du sac ainsi qu'illustré. Appuyez sur le bouton de dégagement du sac à poussière et le sac à poussière s'abaisse automatiquement.

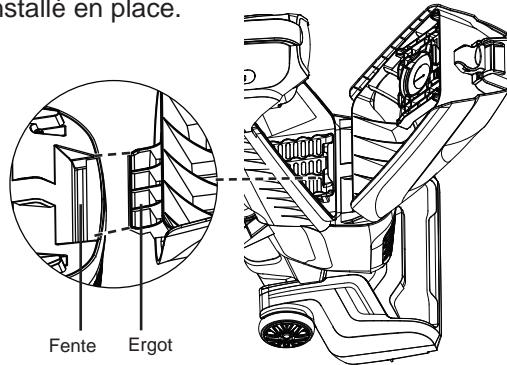


3. Pour installer un nouveau sac à poussière, insérez le collier du sac à poussière dans le support jusqu'à ce que vous entendiez un « déclic », puis faites pivoter le support vers le bas jusqu'à ce qu'un autre « déclic » se fasse entendre. Rentrez le sac dans l'enceinte à sac à poussière. Assurez-vous que tous les côtés du sac à poussière sont à plat dans l'enceinte à sac à poussière.



- Placez la languette du couvercle de l'enceinte à sac à poussière dans la fente de l'aspirateur. Appuyez sur le couvercle de l'enceinte à sac à poussière jusqu'à ce qu'un « déclic » se fasse entendre.

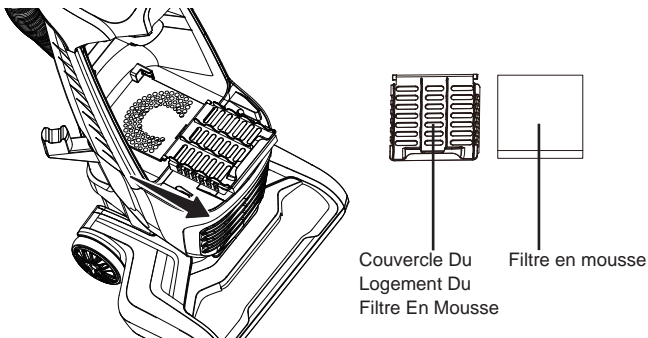
REMARQUE : Assurez-vous que le sac à poussière est verrouillé en place avant d'appuyer sur le couvercle de l'enceinte à sac à poussière. Impossible de monter le couvercle de l'enceinte à sac à poussière avec succès si le sac à poussière est absent ou n'est pas installé en place.



Nettoyage Du Filtre En Mousse

Vérifiez fréquemment le filtre en mousse et nettoyez-le lorsqu'il est sale. Lorsque le nettoyage du filtre en mousse ne permet plus de rétablir la puissance d'aspiration de l'aspirateur, ou si le filtre est usé ou cassé, remplacez le filtre. Nettoyez et remplacez régulièrement le filtre pour que la puissance d'aspiration de l'aspirateur reste optimale.

- Retirez le sac à poussière ainsi qu'illustré dans la section Remplacement Du Sac À Poussière (page 20).
- Retirez le couvercle du logement du filtre en mousse ainsi que le filtre en mousse.



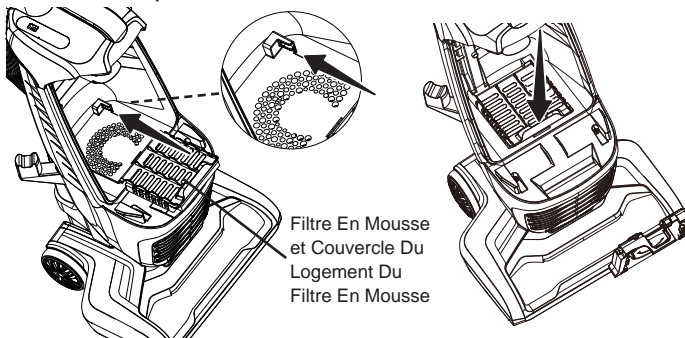
3. Lavez le filtre à l'eau tiède savonneuse, rincez-le et séchez-le soigneusement en pressant l'excès d'eau du filtre et en le laissant sécher à l'air libre pendant 24 heures.

REMARQUE : NE PAS utiliser sans filtre en mousse installé.

IMPORTANT : Les filtres doivent sécher complètement avant d'être réutilisés.

4. Réinstallez le filtre en mousse dans le couvercle du logement du filtre en mousse, puis faites-le coulisser dans les fentes jusqu'à ce qu'il soit en place. Appuyez sur le couvercle pour le verrouiller en place jusqu'à ce qu'un « déclic » se fasse entendre.

REMARQUE : Remplacez le filtre en mousse s'il est usé ou brisé.



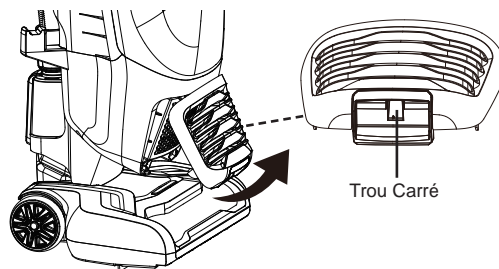
5. Réinstallez le sac à poussière ainsi qu'illustré dans la section Remplacement Du Sac À Poussière (page 21).

Nettoyage Du Filtre D'évacuation À Cartouche HEPA

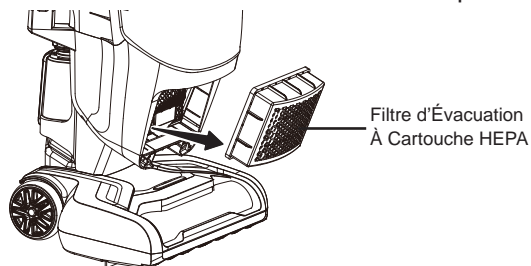
Nous vous recommandons de nettoyer le filtre d'évacuation HEPA à l'eau froide tous les ans.

REMARQUE : Lorsque le nettoyage du filtre ne rétablit plus la pleine puissance d'aspiration de l'aspirateur, ou lorsque le filtre est usé ou brisé, remplacez le filtre d'évacuation.

1. Retirez le couvercle du logement du filtre d'évacuation en tirant le trou carré vers l'extérieur au fond du couvercle.



2. Retirez le filtre d'évacuation à cartouche HEPA de l'aspirateur.

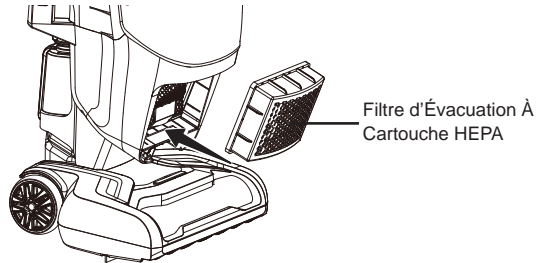


3. Lavez-le à l'eau froide uniquement. NE PAS utiliser de détergents ou du savon. Laissez-le sécher à l'air libre. Laissez les pièces sécher 24 heures avant de les remettre dans l'aspirateur.

REMARQUE : NE PAS utiliser le produit sans le filtre d'évacuation à cartouche HEPA installé.

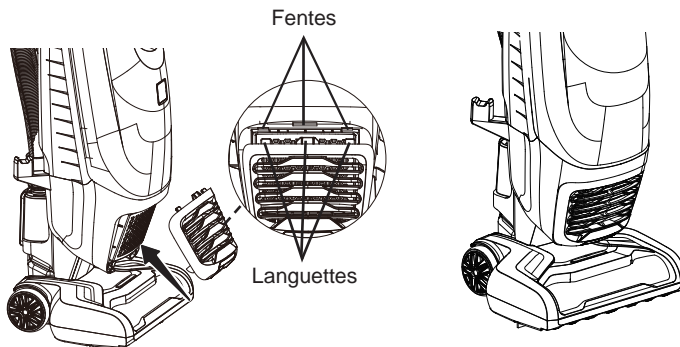
IMPORTANT : Les filtres doivent sécher complètement avant d'être réutilisés.

4. Réinstallez le filtre d'évacuation à cartouche HEPA dans l'aspirateur.



5. Insérez les languettes du couvercle du logement du filtre d'évacuation dans les fentes supérieures, puis verrouillez le couvercle du logement du filtre d'évacuation en place en appuyant sur le fond du couvercle jusqu'à ce qu'un dé clic se fasse entendre.

REMARQUE : Assurez-vous que le couvercle du logement du filtre d'évacuation est correctement installé.

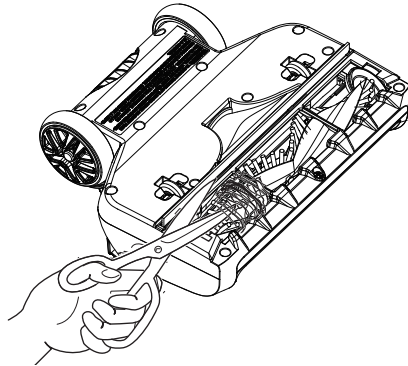


Nettoyage De La Brosse À Rouleau

AVERTISSEMENT

Débranchez toujours le cordon d'alimentation de la prise électrique avant d'effectuer tous travaux d'entretien sur l'aspirateur.

Pour que le nettoyage soit efficace, la brosse à rouleau doit être exempte d'accumulation de fibres de moquettes, de ficelles ou de poils ou cheveux. En cas de blocage de la brosse à rouleau, débranchez et retournez l'aspirateur, puis vérifiez la présence d'accumulation de fibres et de poils ou cheveux sur la brosse à rouleau. Utilisez des ciseaux pour éliminer toute accumulation de fibres, de poils ou cheveux empêtrés autour de la brosse. Nous vous recommandons de nettoyer régulièrement la brosse afin d'obtenir des résultats optimaux.



Élimination Des Obstructions

AVERTISSEMENT

Coupez l'alimentation électrique avant d'éliminer les obstructions. Le non-respect de cette disposition vous expose à des risques d'électrocution ou à des blessures corporelles.

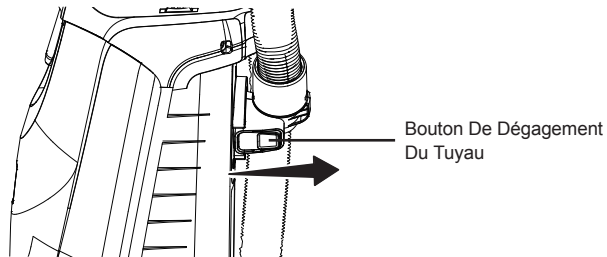
Vérification de la présence d'obstructions dans le tuyau flexible :

S'il y a un bruit anormal perceptible lors de l'utilisation de l'aspirateur ou si la puissance d'aspiration chute soudainement, il est nécessaire de vérifier la

présence d'obstructions dans le conduit d'air.

Vérifiez fréquemment l'état du conduit d'air afin de vous assurer de l'absence de toutes obstructions.

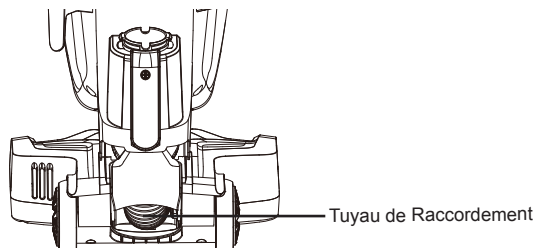
1. Appuyez sur le bouton de dégagement du tuyau, puis retirez le tuyau du corps principal. Détachez l'autre extrémité du tuyau du raccordement inférieur du tuyau.



2. Vérifiez et éliminez toutes les obstructions présentes dans le tuyau flexible.
3. Réinstallez le tuyau flexible sur l'aspirateur. Voir la section INSTRUCTIONS RELATIVES AU MONTAGE GÉNÉRAL (page 7).

Vérification de la présence d'obstructions dans le tuyau de raccordement:

1. Détachez l'extrémité du tuyau du raccordement inférieur du tuyau.
2. Vérifiez la présence d'obstructions éventuelles dans le tuyau de raccordement, puis éliminez-en celles-ci, le cas échéant.
3. Fixez à nouveau le tuyau flexible sur le raccordement inférieur du tuyau.



DÉPANNAGE

Si vous rencontrez un ou plusieurs problèmes avec votre aspirateur, consultez le tableau ci-dessous pour trouver des solutions aux problèmes de performance mineurs.

AVERTISSEMENT

Coupez l'alimentation électrique avant d'effectuer l'entretien de l'aspirateur. Le non-respect de cette disposition vous expose à des risques d'électrocution ou à des blessures corporelles.

PROBLÈME	CAUSE POSSIBLE	SOLUTION
L'aspirateur ne fonctionne pas.	La fiche n'est pas branchée dans la prise murale.	Assurez-vous que la fiche du cordon d'alimentation est bien branchée dans la prise.
	Le commutateur On/Off (Marche/Arrêt) n'est pas appuyé pour démarrer l'aspirateur.	Appuyez sur le commutateur On/Off (Marche/Arrêt) pour le positionner sur « I » ou sur « II ».
	Prise de courant défectueuse.	Vérifiez l'état de la prise à l'aide d'un bon appareil ou d'une bonne lampe. Faites réparer correctement la prise de courant.
	Le corps de l'aspirateur est surchauffé.	Débranchez le cordon d'alimentation, puis laissez refroidir l'aspirateur pendant 50 minutes.
	Le moteur est endommagé.	Veuillez composer le numéro 1-866-384-8432 pour obtenir de l'aide.
Mauvaise récupération des saletés.	Le tuyau et les accessoires ne sont pas installés correctement.	Vérifiez l'état du tuyau et des accessoires afin de vous assurer qu'ils sont correctement installés et fermement enclenchés.
	Le tuyau n'est pas installé au bon endroit lorsque vous utilisez le mode Vertical.	Vérifiez et assurez-vous que le tuyau est correctement installé dans le corps principal (page 7).
	Le sac à poussière n'est pas installé correctement.	Vérifiez l'état du sac à poussière afin de vous assurer qu'il est correctement installé et fermement enclenché.

PROBLÈME	CAUSE POSSIBLE	SOLUTION
Mauvaise récupération des saletés.	Le sac à poussière est plein ou obstrué.	Remplacez le sac à poussière.
	Présence d'obstructions dans le conduit d'air.	Vérifiez la présence d'obstructions éventuelles dans le conduit d'air, puis éliminez-en toutes celles-ci, le cas échéant. Suivez les instructions données en page 26.
	La régulation d'aspiration est ouverte.	Réglez la régulation d'aspiration pour augmenter l'aspiration. Suivez les instructions données en page 19.
	Le filtre en mousse ou le filtre d'évacuation à cartouche HEPA doit être nettoyé ou remplacé.	Nettoyez ou remplacez le filtre en mousse ou le filtre d'évacuation à cartouche HEPA. Suivez les instructions de nettoyage du filtre en mousse ou du filtre d'évacuation à cartouche HEPA données en page 22 ou 24.
	Le tuyau est usé.	Remplacez le tuyau. Achetez en ligne à www.vacmaster.com ou appelez le 1-866-384-8432.
	Le tuyau de raccordement est usé.	Veillez composer le numéro 1-866-384-8432 pour obtenir de l'aide.
	La brosse à rouleau est usé.	Veillez composer le numéro 1-866-384-8432 pour obtenir de l'aide.
De la poussière s'échappe de l'aspirateur.	La courroie est usée ou brisée.	Veillez composer le numéro 1-866-384-8432 pour obtenir de l'aide.
	Le sac à poussière ou le couvercle de l'enceinte à sac à poussière n'est pas installé correctement.	Vérifiez l'état du sac à poussière ou du couvercle de l'enceinte à sac à poussière afin de vous assurer qu'ils sont correctement installés et fermement enclenchés. Suivez les instructions données en page 21-22.

PROBLÈME	CAUSE POSSIBLE	SOLUTION
De la poussière s'échappe de l'aspirateur.	Le filtre d'évacuation à cartouche HEPA est mal installé.	Vérifiez l'état du filtre d'évacuation afin de vous assurer qu'il est correctement installé. Suivez les instructions données en page 24.
	Le sac à poussière est usé ou brisé.	Vérifiez l'état du sac à poussière, puis remplacez-le, le cas échéant.
	Le filtre en mousse ou le filtre d'extraction à cartouche HEPA est usé ou brisé.	Vérifiez l'état du filtre en mousse ou du filtre d'évacuation à cartouche HEPA, puis remplacez-le.
La brosse à rouleau ne tourne pas.	Le manche est positionné entièrement à la verticale.	Déplacez le manche de la position entièrement verticale.
	Mauvais mode sélectionné.	Appuyez sur le commutateur pour le positionner sur « II » pour démarrer la brosse à rouleau.
	La brosse à rouleau est bloquée.	Éliminez l'obstruction. Suivez les instructions données en page 26.
	La brosse à rouleau n'est pas installée correctement.	Veillez composer le numéro 1-866-384-8432 pour obtenir de l'aide.
	Le moteur de la brosse à rouleau est surchauffé.	Mettez hors tension l'aspirateur, puis débranchez-le. Vérifiez et dégager l'état du conduit d'air afin de vous assurer de l'absence de toutes obstructions. Vérifiez et changez le sac à poussière s'il est plein. Branchez l'aspirateur, puis mettez-le sous tension.
	La courroie n'est pas acheminée correctement.	Veillez composer le numéro 1-866-384-8432 pour obtenir de l'aide.
	Défaillance dans la section du circuit imprimé de l'électro-brosse.	Veillez composer le numéro 1-866-384-8432 pour obtenir de l'aide.

PROBLÈME	CAUSE POSSIBLE	SOLUTION
Le son change.	Le couvercle du logement du filtre d'évacuation n'est pas installé correctement.	Positionnez correctement le couvercle du logement du filtre d'évacuation, puis enclenchez-le fermement en place. Suivez les instructions données en page 25.
	Le conduit d'air est bouché.	Vérifiez la présence d'obstructions éventuelles dans le conduit d'air, puis éliminez-en celles-ci et nettoyez le conduit d'air. Suivez les instructions données en page 26.
	Les accessoires utilisés peuvent réduire le débit d'air.	Vérifiez l'état des accessoires afin de détecter la présence de duvets, de peluches, de poils d'animaux familiers ou de tous autres débris.
L'aspirateur se met hors tension tout seul.	La fiche du cordon d'alimentation s'est détachée de la prise de courant lors de l'utilisation de l'aspirateur.	Réinsérez la fiche du cordon d'alimentation à fond dans la prise de courant. Évitez de tirer ou de traîner le cordon d'alimentation lorsque vous utilisez l'aspirateur.
	Le protecteur thermique est activé.	Mettez hors tension l'aspirateur, puis débranchez-le. Vérifiez l'état du conduit d'air et du sac à poussière. Laissez refroidir l'aspirateur pendant au moins 50 minutes. Branchez l'aspirateur, puis mettez-le sous tension.
	Le moteur est endommagé.	Veillez composer le numéro 1-866-384-8432 pour obtenir de l'aide.

PROBLÈME	CAUSE POSSIBLE	SOLUTION
Le Voyant CHECK BAG S'allume.	Sac à poussière plein ou bouché.	Remplacez le sac.
	Filtres sales.	Nettoyez/remplacez les filtres.
	Passages du flux d'air bouchés.	Mettez hors tension l'aspirateur, puis débranchez-le. Éliminez toute obstruction du passage du flux d'air. Branchez l'aspirateur, puis mettez-le sous tension.
	Certain outils d'accessoires.	Il s'agit d'un phénomène normal. Le voyant passe au vert lorsque l'outil est retiré.
Le voyant lumineux de l'état de la brosse à rouleau vire au rouge.	Présence d'obstructions dans la zone de la brosse à rouleau.	Mettez hors tension l'aspirateur, puis débranchez-le. Éliminez toutes obstructions éventuelles présentes dans la brosse à rouleau. Voir la page 26.
	La brosse à rouleau est usée ou brisée.	Veillez composer le numéro 1-866-384-8432 pour obtenir de l'aide.
	Moteur de la brosse à rouleau ou partie PCB de l'électro-brosse défectueux.	Veillez composer le numéro 1-866-384-8432 pour obtenir de l'aide.
	Le moteur de la brosse à rouleau est surchauffé.	Mettez hors tension l'aspirateur, puis débranchez-le. Vérifiez et dégager l'état du conduit d'air afin de vous assurer de l'absence de toutes obstructions. Vérifiez et changez le sac à poussière s'il est plein. Branchez l'aspirateur, puis mettez-le sous tension.

PROBLÈME	CAUSE POSSIBLE	SOLUTION
Impossible d'installer le couvercle de l'enceinte à sac à poussière.	Le sac à poussière est absent.	Installez le sac à poussière.
	Le collier du sac à poussière n'est pas installé correctement dans le support ou le support n'est pas tourné en place.	Insérez le collier du sac à poussière dans le support jusqu'à ce que vous entendiez un « déclic ». Faites pivoter le support vers le bas jusqu'à ce que vous entendiez un autre « déclic ». Suivez les instructions données en page 21.
	Le support est brisé.	Veuillez composer le numéro 1-866-384-8432 pour obtenir de l'aide.

TABLA DE CONTENIDOS

SECCIÓN	PÁGINA
Instrucciones de seguridad importantes.....	2
Garantía.....	3
Datos Técnicos.....	3
Conozca su aspiradora.....	4
Instrucciones generales de ensamblaje.....	6
Instrucciones de uso.....	9
Mantenimiento para su aspiradora.....	19
Resolución de problemas.....	27

Gracias por comprar esta aspiradora Vacmaster®. Con esta aspiradora, estás obteniendo un producto de alta calidad diseñado para un rendimiento óptimo.

POR SU SEGURIDAD

Lea y comprenda este manual antes de usar el producto.

Guarde este manual y su boleta (recibo) de venta en un lugar seguro para usarlos como referencia a futuro.

INSTRUCCIONES DE SEGURIDAD IMPORTANTES

Al utilizar un producto eléctrico se deben tomar siempre precauciones básicas, incluyendo las siguientes:

LEA TODAS LAS INSTRUCCIONES ANTES DE UTILIZAR ESTA ASPIRADORA.

No seguir las advertencias e instrucciones puede provocar explosiones, incendios o lesiones graves.

ADVERTENCIA - Para reducir el riesgo de incendio, descarga eléctrica o lesiones:

- No deje la aspiradora desatendida cuando esté enchufada. Desenchúfela de la toma de corriente cuando no esté en uso y antes de realizar el mantenimiento.
- No utilice el producto en exteriores ni sobre superficies mojadas.
- No permita que se utilice como un juguete. Se debe prestar estricta atención cuando el aparato lo usen niños o cuando se use cerca de ellos.
- Utilice el producto solo como se describe en este manual. Utilice solo los accesorios recomendados por el fabricante.
- No la utilice si la clavija o el cable están dañados. Si la aspiradora no funciona como debería, si se ha caído, dañado, dejado en exteriores o si se ha caído al agua, llame al servicio al cliente.
- No tire o transporte el aparato utilizando el cable como a modo de empuñadura, no apriete el cable al cerrar puertas ni pase el cable cerca de bordes afilados o esquinas. No use la aspiradora sobre su cable. Mantenga el cable alejado de superficies calientes.
- No desconecte tirando del cable. Para desconectarlo tire de la clavija, no del cable.
- No sujete el enchufe ni aspire con las manos mojadas.
- No ponga ningún objeto sobre las aberturas. No lo utilice si las aberturas están bloqueadas; tenga cuidado que no haya polvo, cabellos, pelusas en las aberturas o cualquier cosa que pueda reducir el flujo de aire.
- Mantenga su cabello, ropas holgadas, dedos y partes de su cuerpo lejos de las aberturas y piezas móviles del producto.
- Apague todos los controles antes de desconectar el dispositivo.
- Tenga precaución adicional al limpiar en escaleras.
- No la ponga sobre sillas, mesas, etc. Manténgala sobre el piso.
- No use el producto para aspirar líquidos combustibles o inflamables, como gasolina, ni lo use en zonas donde puedan existir tales elementos.
- No aspire elementos que estén en llamas o humeando, tales como cigarrillos, fósforos o cenizas calientes.
- No use la aspiradora sin la bolsa para polvo y/o filtros instalados.

GUARDE ESTAS INSTRUCCIONES

Solo para uso doméstico

GARANTÍA

DURANTE UN AÑO a contar de la fecha de venta, este producto está garantizado contra defectos en sus materiales o fabricación cuando se ensambla, opera y mantiene siguiendo todas las instrucciones proporcionadas.

Un producto defectuoso puede reemplazarse por uno nuevo, de manera gratuita, considerando que se presente una PRUEBA DE VENTA.

Para obtener detalles de la cobertura de la garantía para obtener un reemplazo gratuito, visite la página web: www.vacmaster.com o llame al 1-866-384-8432.

- Esta garantía no cubre los filtros ni correas, las cuales son piezas desechables que pueden desgastarse debido al uso normal dentro del periodo de garantía.
- Esta garantía queda nula si el producto llega a usarse para algún propósito que no sea el uso privado doméstico.
- Esta garantía le entrega derechos legales específicos que pueden variar según su estado (podría tener otros derechos adicionales).

DATOS TÉCNICOS

Aspiradora vertical con bolsa

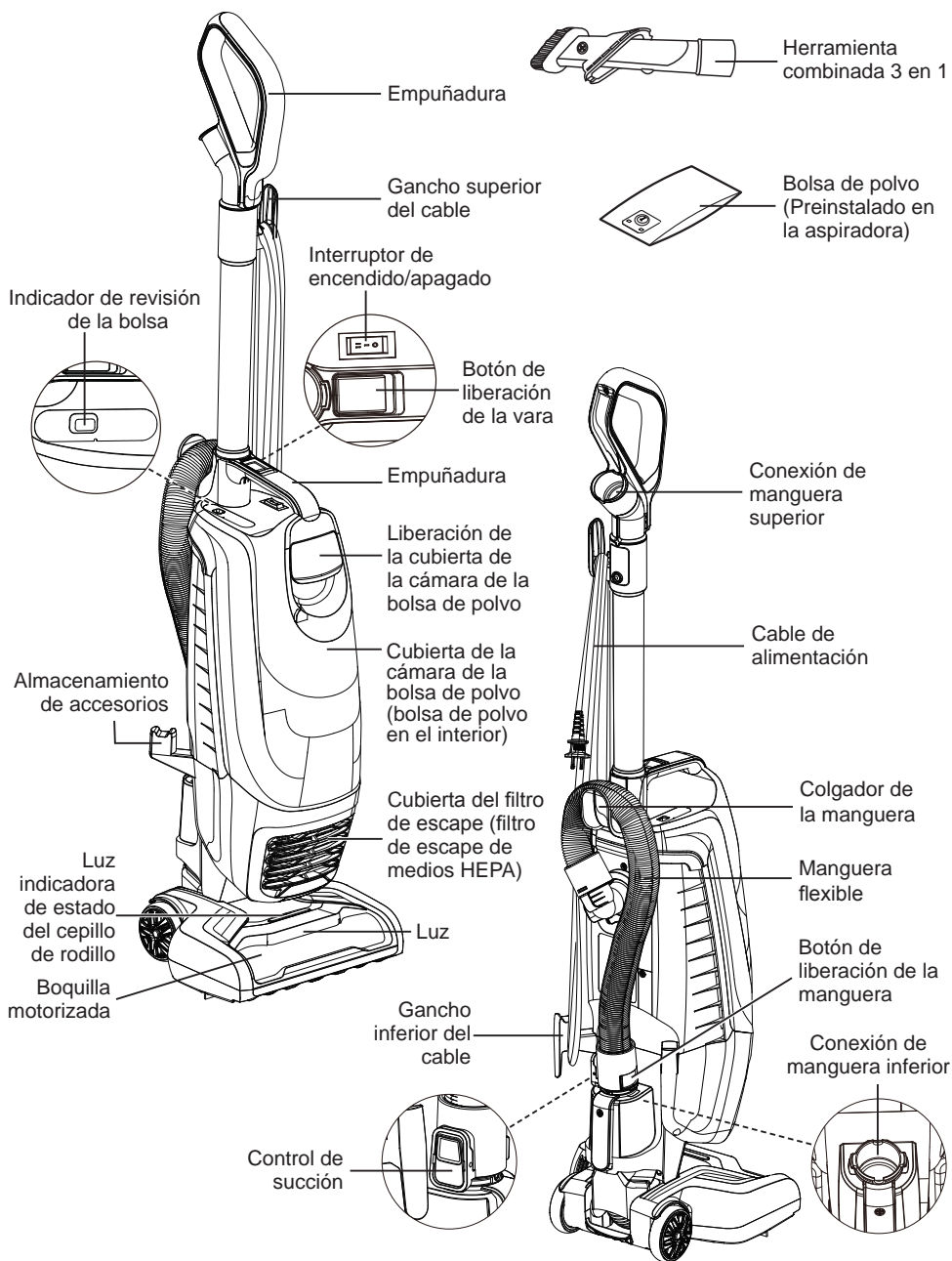
Modelo: UB0302E

Tensión nominal: 120V AC

Frecuencia nominal: 60 Hz

Corriente nominal: 8.0 A

CONOZCA SU ASPIRADORA



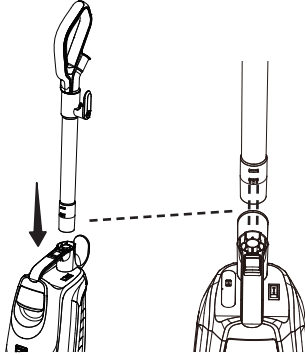
PIEZAS DE REPUESTO

Artículo	Nro. de parte.
Filtro de espuma	561060125
Filtro de escape de medios HEPA	561055118
Herramienta combinada 3 en 1	571034106
Bolsa de polvo (paquete de 6)	521355
Manguera flexible	571034107
Empuñadura	571034101
Kit de filtros (Escape HEPA + filtro de espuma)	561060184

Disponible en línea en www.vacmaster.com o llamando al 1-866-384-8432.

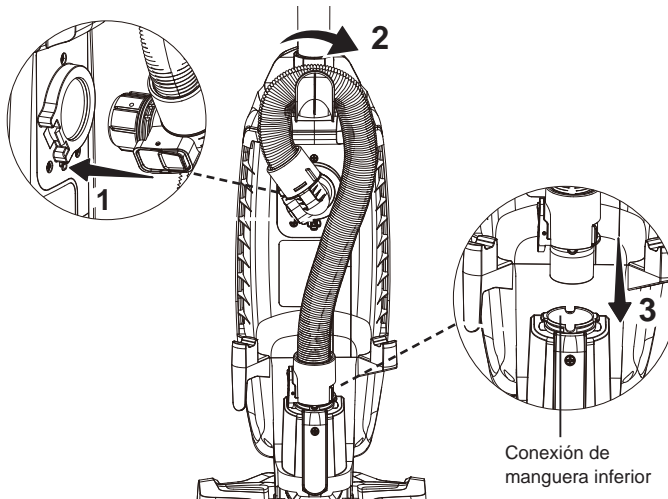
INSTRUCCIONES GENERALES DE ENSAMBLAJE

1. Introduzca la empuñadura en el cuerpo principal hasta escuchar un "clic".

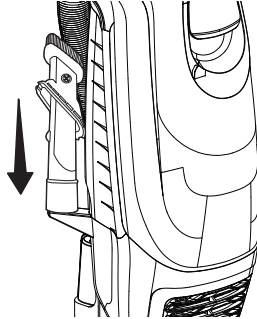


2. Introduzca el extremo con el ángulo recto de la manguera flexible en el cuerpo principal como se indica en la figura hasta escuchar un "clic". A continuación, pase la manguera flexible sobre el colgador de la manguera. Introduzca el otro extremo de la manguera en la conexión de manguera inferior como se indica en la figura, hasta escuchar un "clic".

NOTA: Se recomienda girar levemente el extremo de la manguera al introducir la manguera. Asegúrese de que ambos extremos de la manguera se hayan fijado en sus posiciones con un clic.

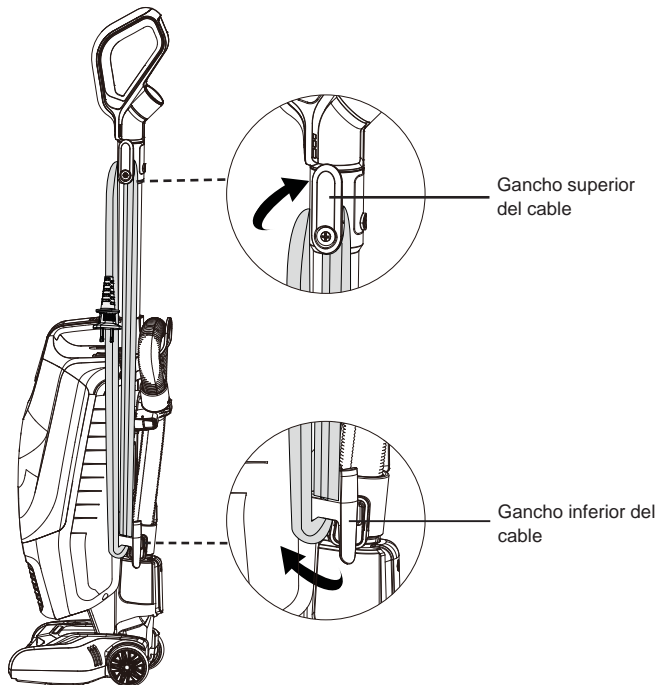


3. Inserta la herramienta combinada en el almacenamiento de accesorios como se muestra.

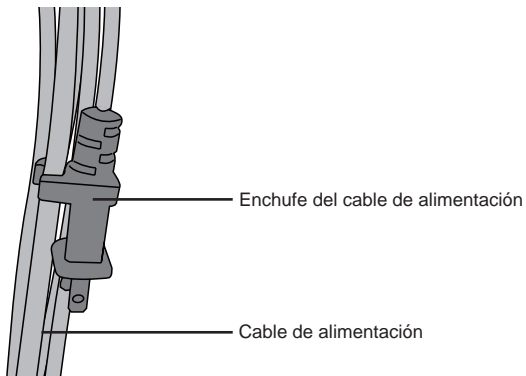


4. Asegúrese de que los ganchos superior e inferior del cable estén en la posición correcta como se indica. Envuelva el cable de alimentación sin apretar alrededor de los ganchos superior e inferior del cable.

NOTA: Asegúrese de enrollar el cable de alimentación en el gancho superior primero y, luego, alrededor del gancho inferior para así evitar dañar el cable.



5. Fije el enchufe correspondiente al cable de alimentación.



 **ADVERTENCIA**

Enrollar el cable demasiado firme y con tensión excesiva puede provocar daños. Un cable dañado representa un peligro de descarga eléctrica y podría causar lesiones a las personas o daños.

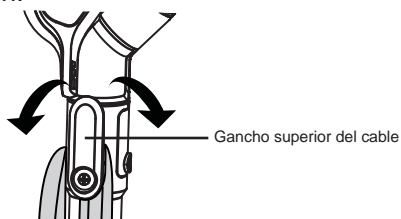
INSTRUCCIONES DE USO

Uso de su aspiradora de pie

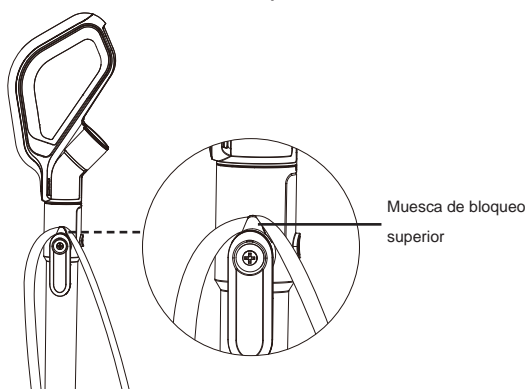
NOTA: Asegúrese de que la aspiradora esté completamente ensamblada. No use la aspiradora sin la bolsa de polvo instalada.

NOTA: Asegúrese de que la manguera flexible esté instalada correctamente en el cuerpo principal (página 6).

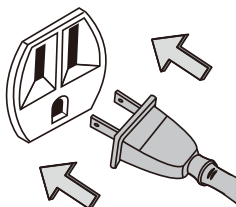
1. Gire el gancho superior del cable hacia cualquier lado y abajo para liberar el cable de alimentación.



2. Separe la clavija del cable de alimentación.
3. Asegúrese de que el cable de alimentación esté bloqueado en la muesca de bloqueo superior como se indica. Esto ayudará a controlar el cable de alimentación mientras se esté usando la aspiradora.



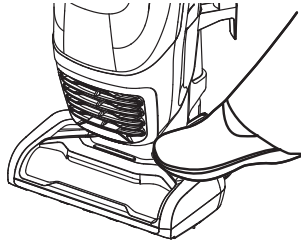
4. Enchufe el cable de alimentación a un tomacorriente que se encuentre cerca del piso.



ADVERTENCIA

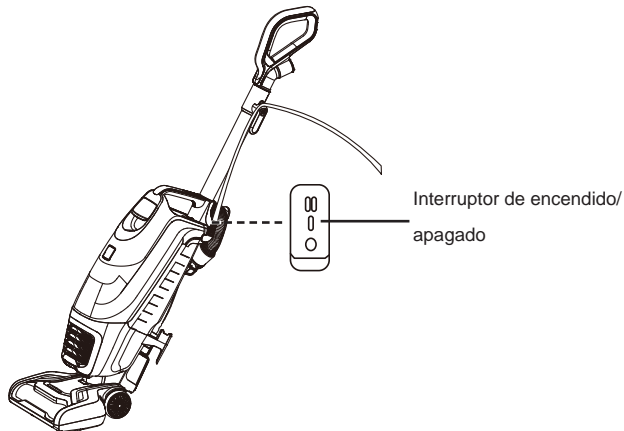
Para reducir el riesgo de descarga eléctrica, este electrodoméstico posee una clavija polarizada (una punta es más ancha que la otra). Esta clavija calzará en la toma de corriente de pared polarizado solo en una posición. Si la clavija no entra completamente en la toma de corriente, póngala al revés. Si aún no calza, contacte a un técnico electricista calificado que pueda ayudarle a instalar la toma de corriente indicado. No modifique la clavija de ningún modo.

5. Suelte la empuñadura colocando el pie sobre la boquilla y tire para cambiar la posición de la empuñadura.



6. Pulse el interruptor de encendido/apagado en la posición "I" para encender la aspiradora para limpiar pisos no cubiertos y pequeños tapetes de área.

NOTA: El cepillo de rodillo no gira cuando la aspiradora está en la posición "I".



7. Presione el interruptor en la posición "II" para limpiar alfombras o tapetes..

NOTA: El cepillo de rodillo gira cuando la aspiradora está en la posición "II".

8. Tras haber terminado de aspirar, mueva el interruptor a la posición "O" y

desconecte el cable de alimentación de la toma de corriente.

NOTA: Seleccione el modo recto al usar esta aspiradora. No presione el interruptor en la posición "II" al limpiar un piso no cubierto, o podría potencialmente dañar el piso.

9. Para restablecer el cable de alimentación después del uso, coloque el gancho superior del cable en posición recta. Luego, enrolle el cable con holgura alrededor de los ganchos.

PRECAUCIÓN

No deje la aspiradora en un solo lugar por ninguna cantidad de tiempo mientras el cepillo de rodillo esté encendido. Podría dañar la alfombra.

PRECAUCIÓN

¡Piezas móviles! Para reducir el riesgo de lesiones personales, NO toque el cepillo de rodillo de la boquilla para el suelo mientras la aspiradora esté encendida. El contacto con el cepillo de rodillo mientras está girando podría causarle otras lesiones. Desconecte la aspiradora de la toma de corriente antes de repararla o limpiarla. Preste cuidado al usar el aparato cerca de niños.



INDICADOR DE REVISIÓN DE LA BOLSA

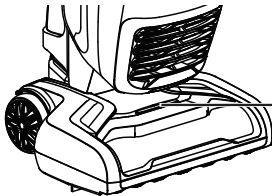
Cuando la aspiradora esté andando con un flujo de aire normal, el indicador CHECK BAG estará de color verde. El indicador se vuelve de color rojo oscuro cuando el flujo de aire se bloquea.

Si esto ocurre, revise la bolsa de polvo desechable, el filtro y la vía de aire en busca de posibles obstrucciones, que se indican en *Cómo Quitar Obstrucciones* (página 25).

NOTA: El indicador podría activarse al usar ciertos accesorios, debido a un menor flujo de aire a través del accesorio.

LUZ INDICADORA DE ESTADO DEL CEPILLO DE RODILLO

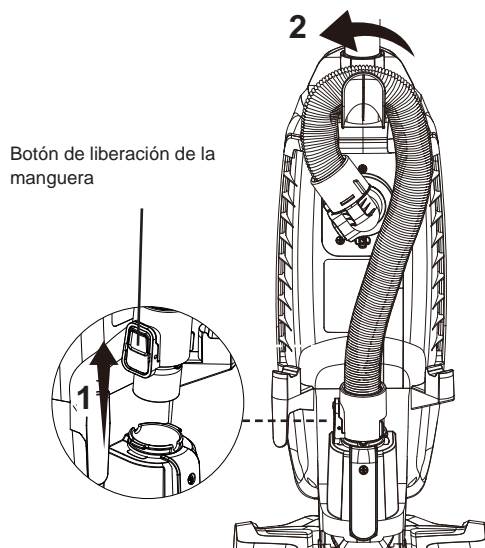
Luz indicadora de estado del cepillo de rodillo	Estado
Verde, continuo	El cepillo de rodillo está girando y funcionando como debería.
Rojo, continuo	Hay un atascamiento en el área del cepillo de rodillo. Apague y desconecte la aspiradora; luego, quite cualquier bloqueo de la boquilla.
	El motor del cepillo de rodillo se ha recalentado. Apague y desconecte la aspiradora. Revise y despeje la vía de aire para asegurarse de que no tenga obstrucciones. Revise y cambie la bolsa de polvo si está llena. A continuación, conecte la aspiradora y enciéndala.
No hay luz	El cepillo de rodillo está apagado.



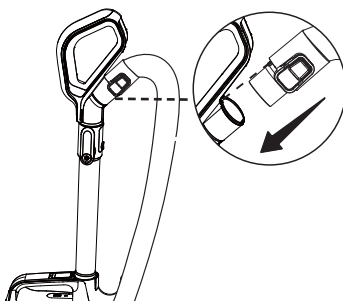
Luz indicadora de estado del cepillo de rodillo

Uso de tu aspiradora con accesorios

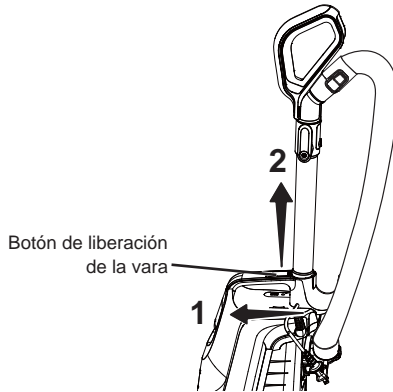
1. Coloque la aspiradora en posición de bloqueo recta.
2. Pulse el botón de liberar manguera y tire hacia arriba para liberar el extremo inferior de la manguera de la conexión de manguera inferior.



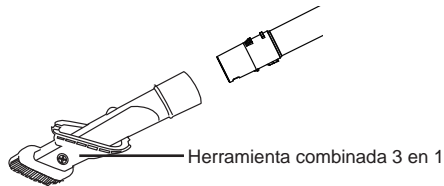
3. Introduzca el extremo de la manguera en la conexión de manguera superior como se muestra en la imagen hasta escuchar un "clic".



4. Deslice el botón de liberación de la vara y levante la empuñadura para limpiar más arriba del suelo.



5. Elija el accesorio que desee e insértelo en la empuñadura.



6. Encienda el motor moviendo el interruptor de encendido a la posición “I”.
7. Tras haber terminado de aspirar, mueva el interruptor a la posición “O” y desconecte el cable de alimentación de la toma de corriente.

IMPORTANTE: Recuerde volver a introducir el extremo de la manguera en la conexión de manguera inferior antes de usar la aspiradora en el modo vertical.

PRECAUCIÓN

Al usar accesorios, tenga cuidado de no sobreestirar la manguera al estirarse para así evitar que la aspiradora se incline y se caiga.

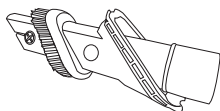
PRECAUCIÓN

NO tire de la manguera para mover la aspiradora dentro de la habitación. Podrían producirse daños a la propiedad o lesiones personales.

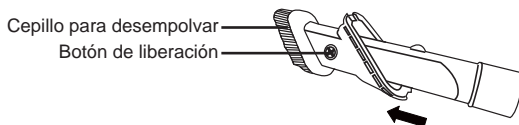
Accesorio

HERRAMIENTA COMBINADA 3 EN 1

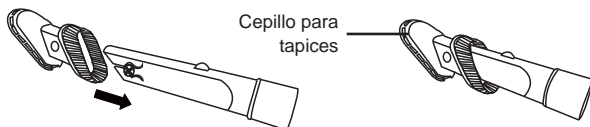
La herramienta combinada 3 en 1 puede fijarse a la empuñadura. Deslice el collarín de la herramienta sobre el extremo abierto de la empuñadura. Utilice la herramienta combinada 3 en 1 en modo herramienta para hendiduras para limpiar espacios angostos en muebles, entre cojines y en escaleras.



Configure la herramienta combinada en modo cepillo para limpiar polvo presionando el botón de liberación y deslizando el costado con cepillo de la herramienta hacia el extremo de la herramienta combinada. Use en modo cepillo para limpiar polvo para limpiar superficies holgadas, como cortinas.



Presione el botón de liberación para sacar el cepillo para limpiar polvo. Configure la herramienta combinada en cepillado para tapiz como se indica. Use en modo tapizado para limpiar superficies de tela como sofás, etc.



Para devolver la herramienta combinada a modo hendiduras, presione el botón de liberación y deslice el cepillo por la herramienta combinada.

NOTA: Limpie siempre los accesorios antes de usarlos en telas.

Thermal Protector

Esta aspiradora tiene un protector térmico que se activa automáticamente para proteger al motor de succión de la aspiradora. Si un tapón evita el flujo normal de aire hacia el motor, el protector térmico apaga el motor automáticamente. Esto

deja enfriar el motor a fin de evitar posibles daños a la aspiradora.

Para restablecer el protector térmico: Apague la aspiradora y desconecte el cable de alimentación desde la toma de corriente para dejar enfriar la aspiradora y que el protector térmico se restablezca.



PRECAUCIÓN

Vuelva a colocar siempre la aspiradora en posición recta antes de usar la manguera y los accesorios. No hacerlo puede provocar sobrecalentamiento del motor del cepillo de rodillo y la activación del protector térmico.

Revise y saque los tapones; vacíe la bolsa de polvo si fuese necesario. Además, compruebe y limpie los filtros tapados. Espere aproximadamente 50 minutos antes de volver a encender la aspiradora.

Válvula De Paso

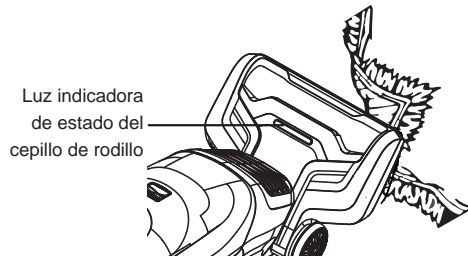
Esta aspiradora tiene una válvula de paso que evita que el motor se sobrecaliente y se dañe. La válvula se abre para proporcionar refrigeración por aire cuando un tapón evita el paso normal del aire hacia el motor de succión de la aspiradora. Observará un cambio en el sonido cuando el aire entre por la válvula.

Para corregir el problema: saque cualquier obstrucción, revise y cambie los filtros según sea necesario, revise e instale una nueva bolsa de polvo si es necesario.

NOTA: La válvula de paso podría abrirse al usar accesorios o al limpiar una alfombra nueva debido a un menor flujo de aire o a una vía aérea tapada, provocado por los accesorios mismos o por un exceso de pelusas de la alfombra nueva en la bolsa de polvo, lo que la llenaría rápidamente.

RESTABLECIMIENTO DEL CEPILLO DE RODILLO

El cepillo de rodillo tiene una protección integrada contra daños al motor por si el cepillo de rodillo se atascara. Si el cepillo de rodillo se pone lento o se detiene, la protección de sobrecarga del cepillo de rodillo apaga el motor del cepillo de rodillo y la luz indicadora de estado del cepillo de rodillo se enciende en rojo. El motor de succión de la aspiradora sigue funcionando.



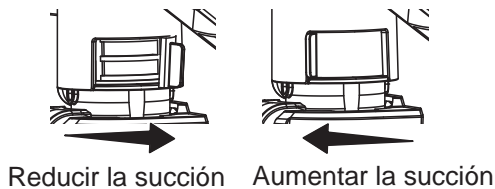
Para resolver el problema: Apague y desconecte la aspiradora, quite la obstrucción, luego vuelva a conectar la aspiradora y encienda la aspiradora.

NOTA: Cuando el motor del cepillo de rodillo se apague, quite el atascamiento del cepillo y vuelva a encender la aspiradora. Si el problema continúa, llame al 1-866-384-8432 para obtener ayuda.

CONTROL DE SUCCIÓN

Puede abrir la válvula de control de succión para ayudar con la fuerza de succión/ empuje de la aspiradora en superficies tales como alfombras densas, a fin de reducir la succión. Tenga en cuenta que para lograr los mejores resultados posibles, la válvula de control de succión debe estar totalmente cerrada.

- Deslice hacia la derecha para abrir el control de succión y reducir la succión. Abrir el control reduce la succión sobre cortinas y alfombras ligeras.
- Deslice hacia la izquierda para cerrar el control de succión y aumentar la succión. Al cerrar el control se aumenta la succión, para tapizado y alfombras.



Almacenamiento de la aspiradora

1. Asegúrate de que la manguera esté bloqueada en su lugar y que el accesorio esté guardado a bordo.
2. Reúna el cable y enróllalo con holgura alrededor de los ganchos superior e inferior del cable. Bloquee el retén de la clavija en el cable de alimentación.
3. Guarde la aspiradora en un área seca en interior, en el piso con la empuñadura trabada en posición vertical.

MANTENIMIENTO PARA SU ASPIRADORA

PRECAUCIÓN

Para reducir el riesgo de descarga eléctrica, apaga y desconecta el cable de alimentación antes de realizar cualquier servicio o mantenimiento.

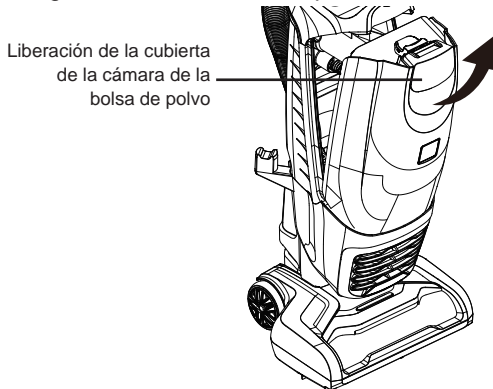
NOTA: Use un paño seco para limpiar el exterior del producto. No permita que ningún tipo de líquido ingrese a la unidad. Lave los accesorios en agua tibia jabonosa, enjuague y seque al aire. No limpiar en lavavajillas.

Cambio De La Bolsa Para Polvo

Para obtener los mejores resultados de limpieza, la bolsa de polvo debe cambiarse a menudo. El indicador CHECK BAG se encenderá de color rojo cuando la bolsa deba cambiarse o cuando el flujo de aire esté bloqueado.

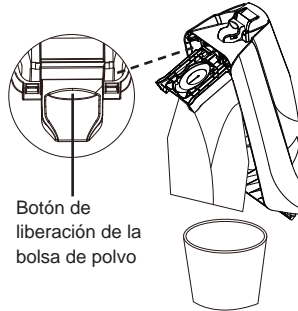
NOTA: Preste siempre atención al indicador CHECK BAG.

1. Extraiga y levante el asa de liberación de la cubierta de la cámara de la bolsa de polvo y sostenga la cubierta con la empuñadura.

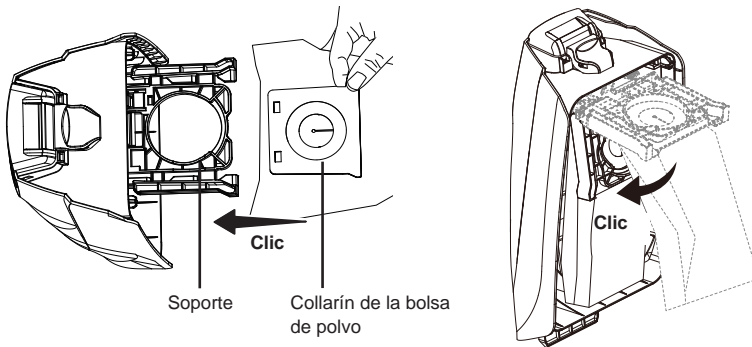


NOTA: No presiones el botón de liberación de la bolsa de polvo al soltar la cubierta de la cámara, o la bolsa de polvo caerá automáticamente.

2. Incline la cámara de la bolsa tal como se indica. Presione el botón de liberación de la bolsa de polvo y la bolsa de polvo caerá automáticamente.

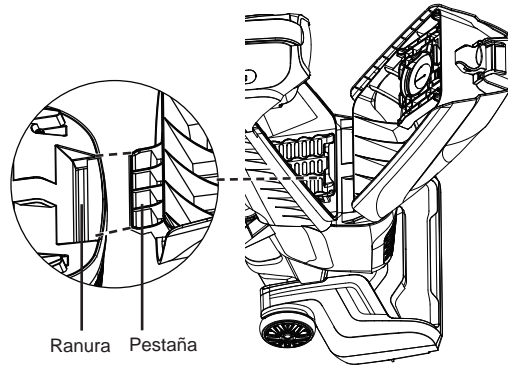


3. Para instalar una nueva bolsa de polvo, inserte el collarín de la bolsa de polvo en el soporte hasta escuchar un “clic” y luego gire el soporte hacia abajo hasta escuchar otro “clic”. Inserte la bolsa en la cámara de la bolsa de polvo. Asegúrese de que todos los lados de la bolsa de polvo calcen bien dentro de la cámara de polvo.



4. Coloque la pestaña de la cámara de la bolsa de polvo en la ranura de la aspiradora. Presione la cubierta de la cámara de la bolsa de polvo hacia su posición hasta escuchar un “clic”.

NOTA: Asegúrese de que la bolsa de polvo quede fija antes de presionar la cubierta de la cámara de la bolsa de polvo. La cubierta de la cámara de la bolsa de polvo no se puede ensamblar exitosamente si la bolsa no está instalada ni en posición.



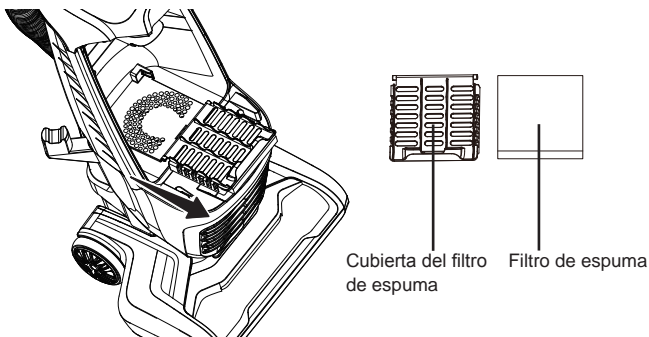
Limpeza Del Filtro De Espuma

Revise frecuentemente el filtro de espuma y límpielo cuando esté sucio.

Cuando limpiar el filtro ya no restaure la potencia de succión de la aspiradora, o cuando el filtro se haya gastado o dañado, cámbielo.

Limpie y reemplace regularmente el filtro para mantener la potencia de succión de la aspiradora a un nivel óptimo.

1. Saque la bolsa de polvo como se indica en Cambio De La Bolsa De Polvo (página 19).
2. Saque la cubierta del filtro de espuma y el filtro de espuma.



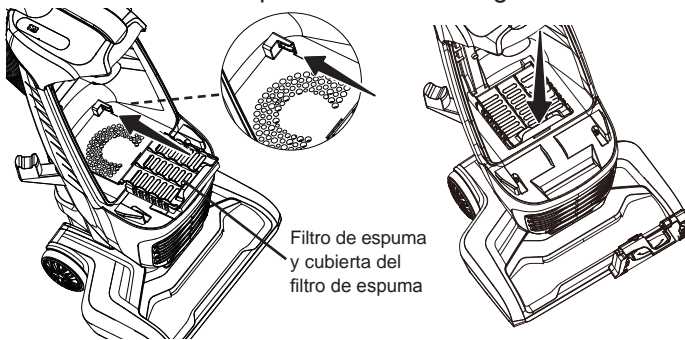
3. Lave el filtro con agua jabonosa tibia, enjuague y seque exhaustivamente estrujando el exceso de agua del filtro y dejándolo secar durante 24 horas.

NOTA: NO usar sin el filtro de espuma instalado.

IMPORTANTE: Los filtros deben estar completamente secos antes de reutilizarlos.

4. Reinstale el filtro de espuma en la cubierta del filtro y deslícelo hacia las ranuras hasta que quede en posición. Presione la cubierta para bloquearla en posición hasta escuchar un "clic".

NOTA: Cambie el filtro de espuma si está roto o gastado.



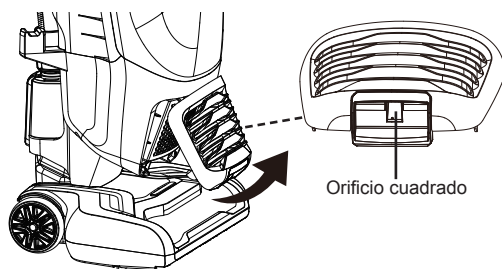
5. Reinstale la bolsa de polvo como se indica en Cambio De La Bolsa De Polvo (página 20).

Limpieza Del Filtro De Escape De Medios HEPA

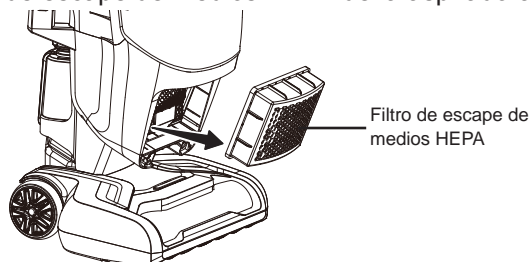
Recomendamos limpiar el filtro de escape de medios HEPA con agua fría una vez al año.

NOTA: Cuando limpiar el filtro ya no restaure la potencia de succión de la aspiradora, o cuando el filtro se haya gastado o dañado, cámbielo.

1. Tire del orificio cuadrado hacia afuera en la parte de abajo de la cubierta del filtro de escape para quitarla.



2. Saque el filtro de escape de medios HEPA de la aspiradora.

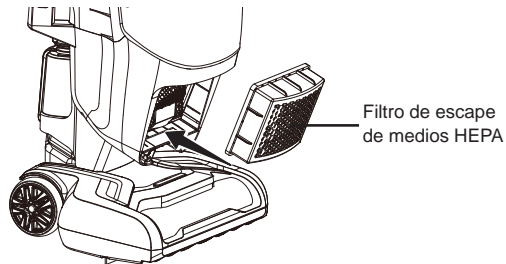


3. Lave usando solo agua fría, NO use detergentes o jabón. Deje secar al aire. Deje secar las piezas durante 24 horas antes de volver a colocarlas en la aspiradora.

NOTA: NO opere sin el filtro de escape de medios HEPA instalado.

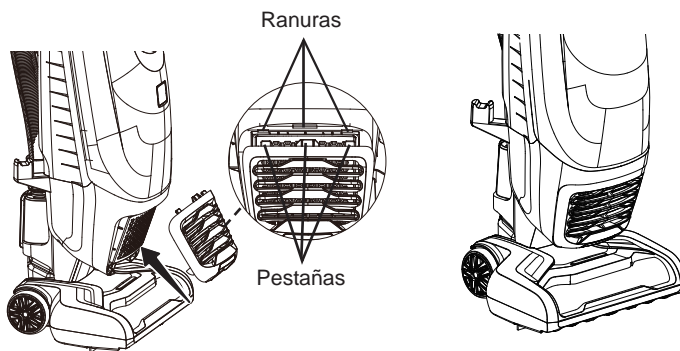
IMPORTANTE: Los filtros deben estar completamente secos antes de reutilizarlos.

4. Reinstale el filtro de escape de medios HEPA en la aspiradora.



5. Introduzca las pestañas de la cubierta del filtro de escape en las ranuras superiores y fije la cubierta del filtro de escape en su lugar presionando la parte inferior de la cubierta hasta escuchar un clic.

NOTA: Asegúrese de que la cubierta del filtro de escape esté instalada correctamente.

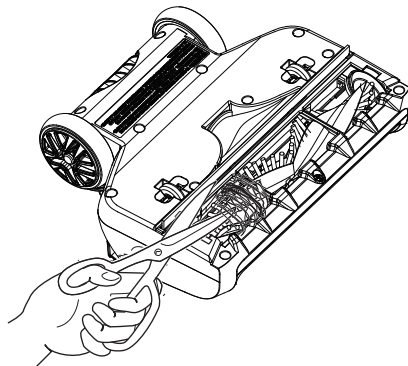


Limpeza Del Cepillo De Rodillo

ADVERTENCIA

Desenchufe siempre el cable de alimentación de la toma de corriente antes de realizar tareas de mantenimiento en la aspiradora.

Para mantener una limpieza eficiente, el cepillo de rodillo debe estar libre de fibra de alfombras, hebras u obstrucciones de cabello. Si el cepillo de rodillo está atascado, desconecte y voltee la aspiradora para revisar que el cepillo de rodillo no tenga acumulaciones de fibras y pelos. Use unas tijeras para sacar cualquier objeto enredado en el cepillo de rodillo. Recomendamos limpiar el cepillo de rodillo periódicamente para lograr el máximo desempeño.



Cómo Quitar Obstrucciones

ADVERTENCIA

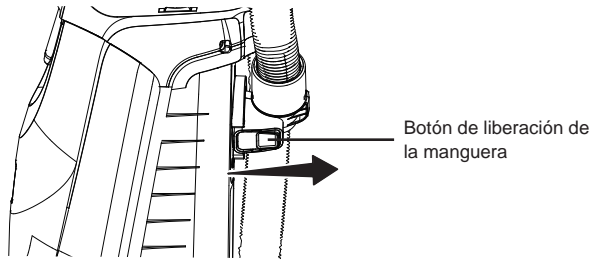
Desconecte la fuente de alimentación antes de quitar obstrucciones. El no seguir estas indicaciones puede provocar lesiones personales o descargas eléctricas.

Comprobación de obstrucciones en la manguera flexible :

En caso de haber un ruido anormal al usar la aspiradora, o si la potencia de succión cae súbitamente, es necesario revisar que no haya obstrucciones en la vía aérea.

Revise frecuentemente la vía de aire para asegurarse de que no tenga obstrucciones.

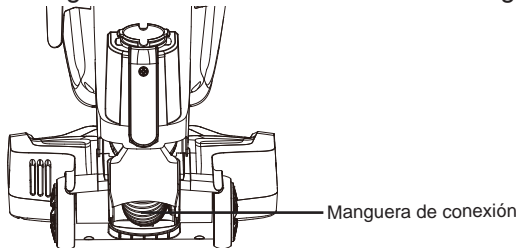
1. Presione el botón de liberar la manguera y extraiga la manguera del cuerpo principal. Libere el otro extremo de la manguera de la conexión de manguera inferior.



2. Revise y saque cualquier tapón de la manguera flexible.
3. Reinstale la manguera flexible en la aspiradora. Consulte INSTRUCCIONES GENERALES DE ENSAMBLAJE (página 6).

Comprobación de obstrucciones en la manguera de conexión:

1. Libere el extremo de la manguera de la conexión de manguera inferior.
2. Revise y quite cualquier obstrucción de la manguera de conexión.
3. Vuelva a conecta la manguera flexible en la conexión de manguera inferior.



RESOLUCIÓN DE PROBLEMAS

Si tiene algún problema con su aspiradora, revise la tabla a continuación para encontrar soluciones a problemas de rendimiento no críticos.



ADVERTENCIA

Desconecte el suministro eléctrico antes de realizar cualquier trabajo de mantenimiento en la aspiradora. El no seguir estas indicaciones puede provocar lesiones personales o descargas eléctricas.

PROBLEMA	CAUSA PROBABLE	SOLUCIÓN
La aspiradora no funciona.	El enchufe no está conectado en la toma de corriente.	Asegúrese de que el enchufe del cable de alimentación esté completamente insertado en el tomacorriente.
	No está presionado el interruptor de encendido/apagado para encender en la aspiradora.	Presione el interruptor de Encender/ Apagar en la posición "I" o "II".
	Toma de corriente defectuosa.	Pruebe usando una lámpara o electrodoméstico que funcione correctamente. Haga que reparen correctamente la toma de corriente.
	El cuerpo de la aspiradora está sobrecalentado.	Desconecte el cable de alimentación y deje enfriar la aspiradora durante 50 minutos.
	El motor está dañado.	Llame al 1-866-384-8432 para obtener ayuda.
Recolección de suciedad ineficiente.	La manguera y accesorios no están instalados correctamente.	Revise que la manguera y accesorios estén bien instalados y asegúrese de que se conecten firmemente.
	La manguera no está instalada en el lugar correcto cuando se usa el modo vertical.	Revise y asegúrese de que la manguera esté instalada correctamente en el cuerpo principal (página 6).
	La bolsa de polvo no está instalada correctamente.	Revise que la bolsa de polvo esté bien instalada y asegúrese de que se conecte firmemente.
	Bolsa de polvo llena o tapada.	Cambie la bolsa de polvo.

PROBLEMA	CAUSA PROBABLE	SOLUCIÓN
Recolección de suciedad ineficiente.	Hay una obstrucción en la vía aérea.	Revise y saque cualquier tapón. Siga las instrucciones de la página 25.
	El control de succión está en posición abierta.	Ajuste el control de succión para aumentar la potencia. Siga las instrucciones de la página 18.
	Debe limpiar o reemplazar el filtro de espuma o filtro de escape de medios HEPA.	Limpie o reemplace el filtro de espuma o filtro de escape de medios HEPA. Siga las instrucciones de limpieza o cambio del filtro de escape de medios HEPA que se indican en la página 21 o 23.
	La manguera está gastada.	Cambie la manguera. Puede comprar en línea en www.vacmaster.com o llamando al 1-866-384-8432.
	La manguera de conexión está gastada.	Llame al 1-866-384-8432 para obtener ayuda.
	El cepillo de rodillo está gastado.	Llame al 1-866-384-8432 para obtener ayuda.
	La correa está gastada o rota.	Llame al 1-866-384-8432 para obtener ayuda.
Hay un escape de polvo en la aspiradora.	La bolsa de polvo o la cubierta de la cámara de la bolsa de polvo no están correctamente instaladas.	Revise que la bolsa de polvo o cubierta de la cámara de la bolsa de polvo estén bien instaladas y asegúrese de que se conecten firmemente. Siga las instrucciones de la página 20-21.
	El filtro de escape de medios HEPA está mal instalado.	Revise que el filtro de escape esté bien instalado. Siga las instrucciones de la página 23.
	La bolsa de polvo está gastada o rota.	Revise y cambie la bolsa de polvo.

PROBLEMA	CAUSA PROBABLE	SOLUCIÓN
Hay un escape de polvo en la aspiradora.	El filtro de espuma o el filtro de escape de medios HEPA están gastados o rotos.	Revise y reemplace el filtro de espuma o filtro de escape de medios HEPA.
El cepillo de rodillo no gira.	La empuñadura está en posición totalmente recta.	Mueva la empuñadura desde su posición totalmente recta.
	Modo seleccionado incorrecto.	Presione el interruptor en la posición "II" para encender el cepillo de rodillo.
	El cepillo de rodillo está atascado.	Quite la obstrucción. Siga las instrucciones de la página 25.
	El cepillo de rodillo no está instalado correctamente.	Llame al 1-866-384-8432 para obtener ayuda.
	El motor del cepillo de rodillo se ha recalentado.	Apague y desconecte la aspiradora. Revise y despeje la vía de aire para asegurarse de que no tenga obstrucciones. Revise y cambie la bolsa de polvo si está llena. A continuación, conecte la aspiradora y enciéndala.
	La correa no está bien colocada.	Llame al 1-866-384-8432 para obtener ayuda.
El sonido cambia.	Falla en la sección PCB de la boquilla motorizada.	Llame al 1-866-384-8432 para obtener ayuda.
	La cubierta del filtro de escape no está instalada correctamente.	Coloque correctamente la cubierta del filtro de escape y hágala calzar con firmeza en posición. Siga las instrucciones de la página 24.
	La vía aérea está bloqueada.	Revise y quite cualquier obstrucción y despeje la vía aérea. Siga las instrucciones de la página 25.

PROBLEMA	CAUSA PROBABLE	SOLUCIÓN
El sonido cambia.	Los accesorios en uso restringen el flujo de aire.	Revise que los accesorios no tengan pelusas, pelo de mascotas u otros sedimentos.
La aspiradora se apaga sola.	La clavija del cable de alimentación se suelta de la toma de corriente al usar la aspiradora.	Reinserte la clavija del cable de alimentación en la toma de corriente. Evite tirar del cable de alimentación o arrastrarlo al usar la aspiradora.
	Protector térmico activado.	Apague la aspiradora y desconéctela. Revise la vía aérea y bolsa de polvo. Deje enfriar la aspiradora durante un mínimo de 50 minutos. Conecte la aspiradora y enciéndala.
	El motor está dañado.	Llame al 1-866-384-8432 para obtener ayuda.
El indicador CHECK BAG se activa.	Bolsa para polvo llena o tapada.	Cambie la bolsa.
	Filtros sucios.	Limpie/cambie los filtros.
	Pasaje de aire bloqueado.	Apague y desconecte la aspiradora. Limpie el bloqueo del pasaje de aire. Conecte la aspiradora y enciéndala.
	Ciertas herramientas accesorias.	Lo cual es completamente normal. El indicador se volverá verde al sacar la herramienta.

PROBLEMA	CAUSA PROBABLE	SOLUCIÓN
La luz indicadora de estado del cepillo de rodillo está de color rojo.	Hay un atascamiento en el área del cepillo de rodillo.	Apague y desconecte la aspiradora. Saque cualquier bloqueo del cepillo de rodillo. Consulte la página 25.
	El cepillo de rodillo está gastado o roto.	Llame al 1-866-384-8432 para obtener ayuda.
	Falla en el motor del cepillo de rodillo o en la sección PCB de la boquilla motorizada.	Llame al 1-866-384-8432 para obtener ayuda.
	El motor del cepillo de rodillo se ha recalentado.	Apague y desconecte la aspiradora. Revise y despeje la vía de aire para asegurarse de que no tenga obstrucciones. Revise y cambie la bolsa de polvo si está llena. A continuación, conecte la aspiradora y enciéndala.
La cubierta de la cámara de la bolsa de polvo no se puede instalar.	No hay bolsa de polvo.	Instale la bolsa de polvo.
	El collarín de la bolsa de polvo no está instalado correctamente en el soporte o el soporte no se giró hacia abajo hasta su posición correcta.	Introduzca el collarín de la bolsa de polvo en el soporte hasta escuchar un "clic". Gire el soporte hacia abajo hasta escuchar otro "clic". Siga las instrucciones de la página 20.
	El soporte está roto.	Llame al 1-866-384-8432 para obtener ayuda.